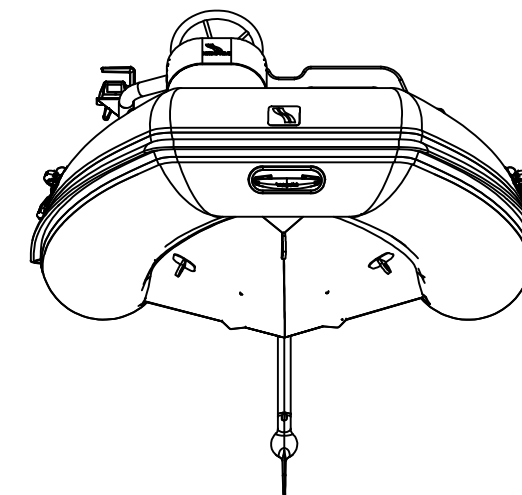
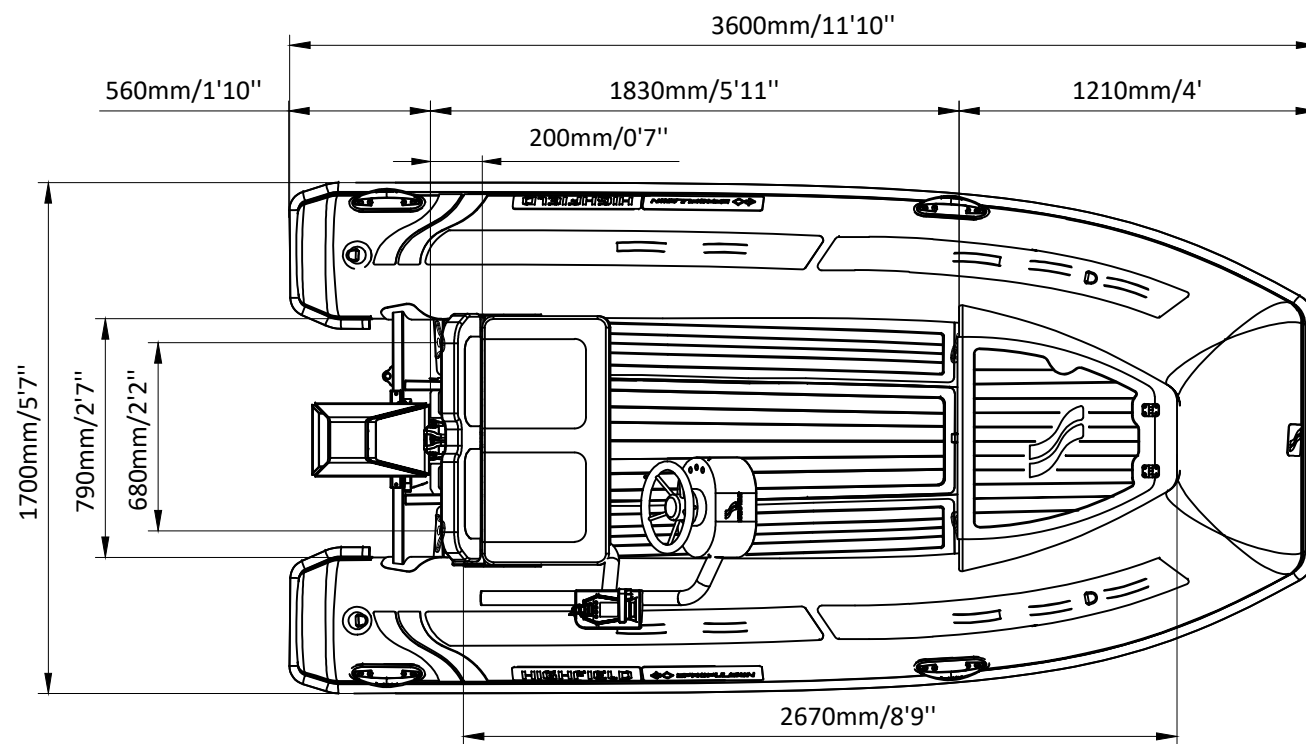
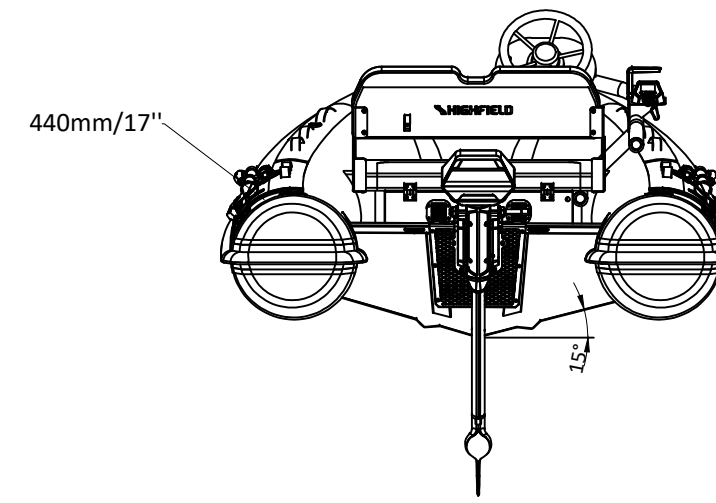
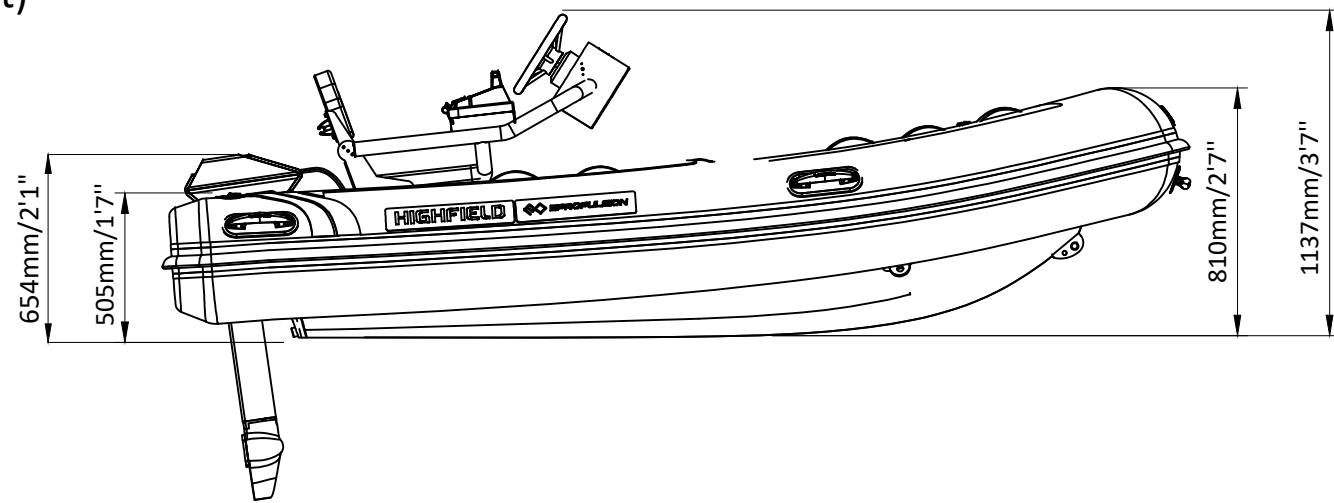


# CLASSIC 360 E

(Short Shaft)

# SPECIFICATIONS



SPECIFICATIONS AND MAXIMUM CAPACITIES (Subject to change without notice. Tolerances: dimensions ±2.5%, weights ±5%) Note: red means lifting eyes.

MODEL	ISO 6185 PART	ISO 6185			#			Shaft	Outboard Engine						FCT E		BATTERY		Wet Weight (Approximate) 		AIR CHAMBERS		
			KG	LB		KG	LB		power	weight	KG	LB	KG	LB	KG	LB	KG	LB	PSI	BAR			
									KW	HP	KG	LB											
CL360 E	3	C	398	878	5	375	827	S	6	8	23	51	93	205	37	82	75	165	116	256	3	3.63	0.25

Weight: boat only.