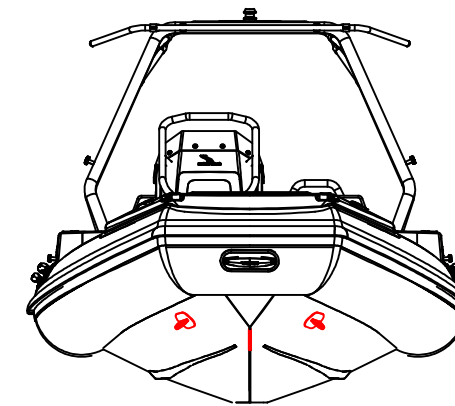
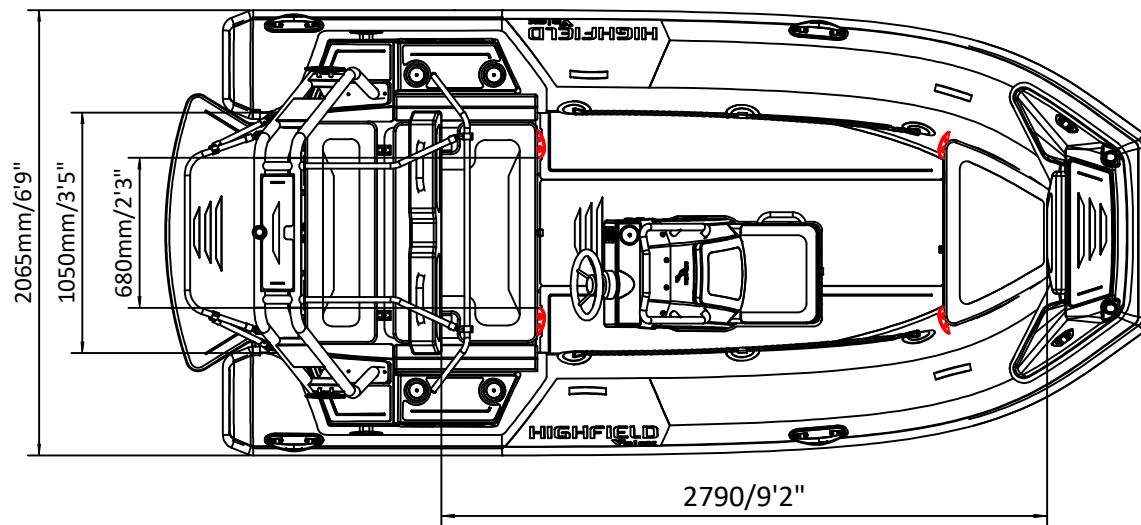
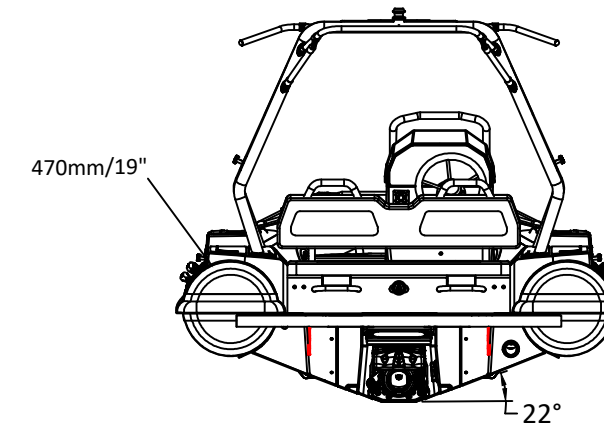
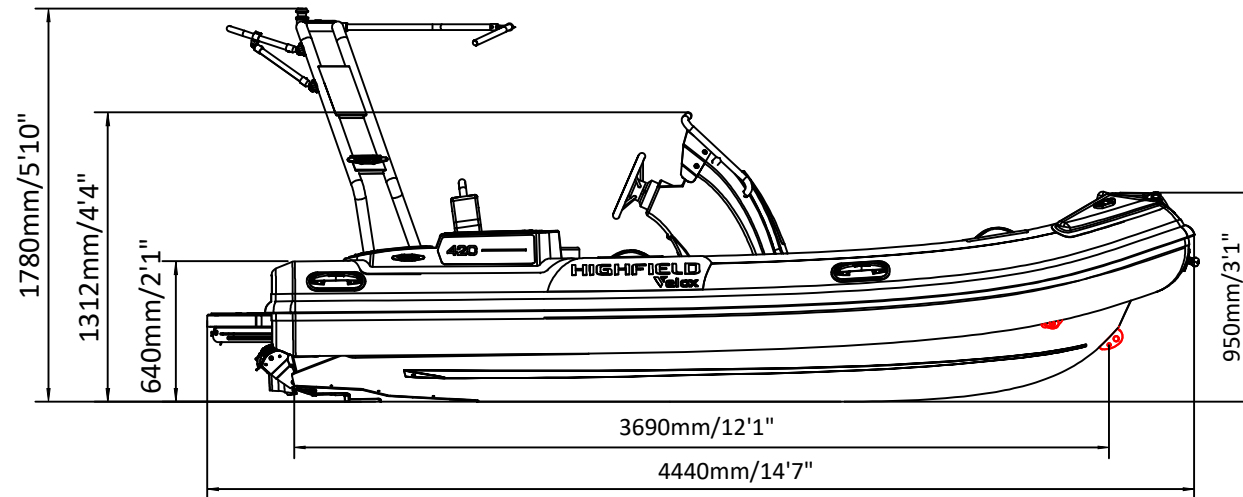


JET 420

SPECIFICATIONS



SPECIFICATIONS AND MAXIMUM CAPACITIES (Subject to change without notice. Tolerances: dimensions ±2.5%, weights ±5%)

MODEL	ISO 6185 PART	ISO 6185					 Outboard Engine	 Shaft	 Max power		 Max weight		 Sundeck		Tow post		Rollbar		Fuel Tank Capacity		 Wet Weight (Approximate) 90HP (67KW) +Fuel		AIR CHAMBERS 				
			KG	LB	#	KG			LB	KG	LB	KG	LB	KG	LB	KG	LB	L	GAL	KG	LB	PSI		BAR			
JET 420	3	C	640	1410	8	600	1323	/	67	90	80	176	481	1060	9	19.8	/	/	/	/	55	14.5	601	1325	4	3.63	0.25

Boat weight includes: console, rollbar