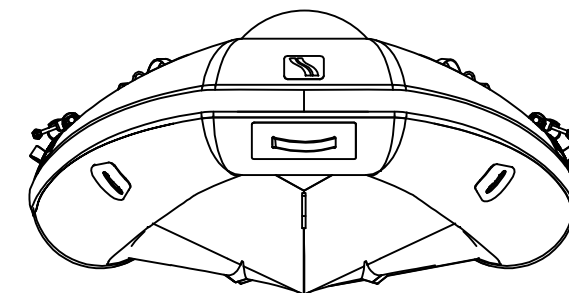
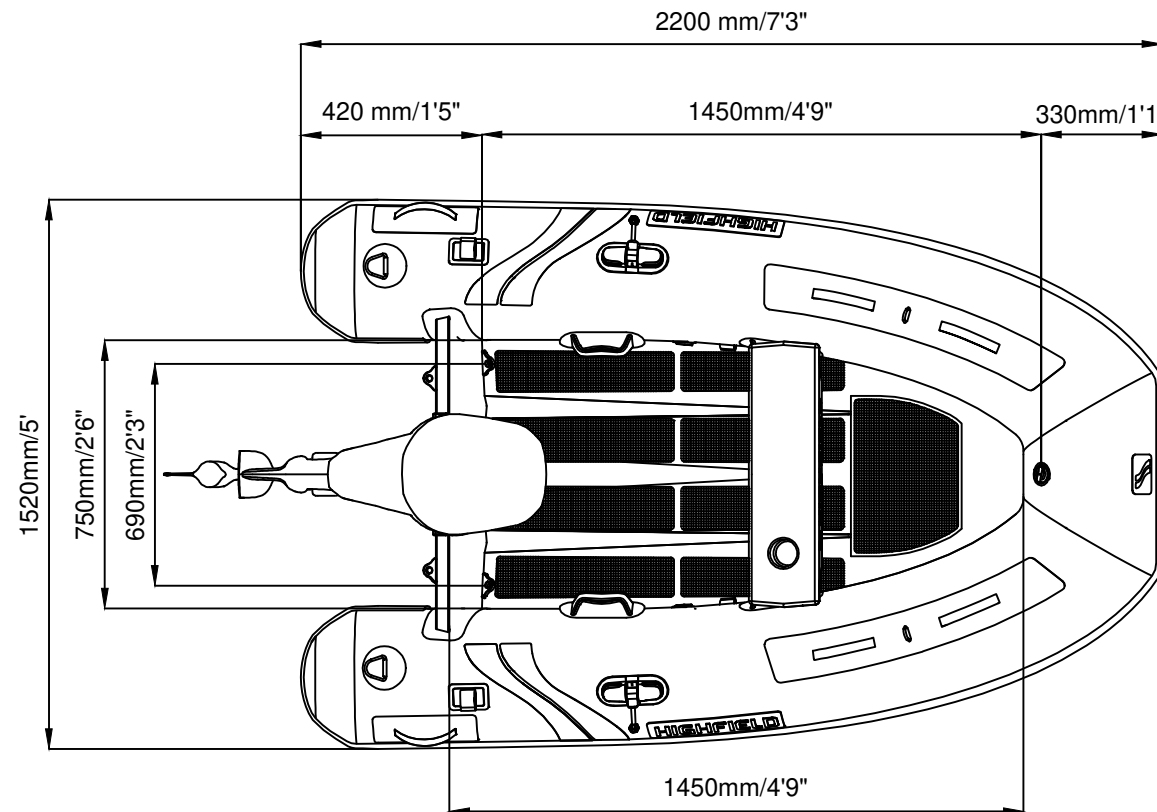
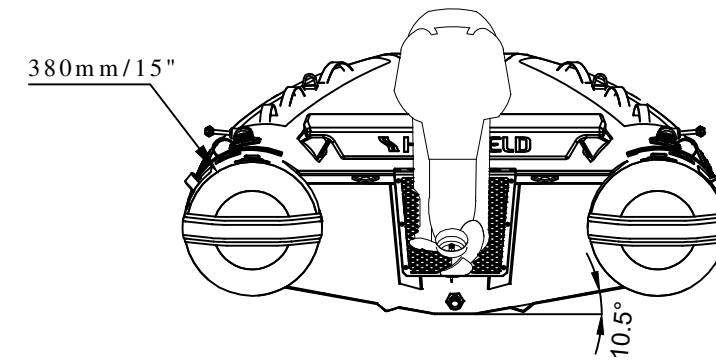
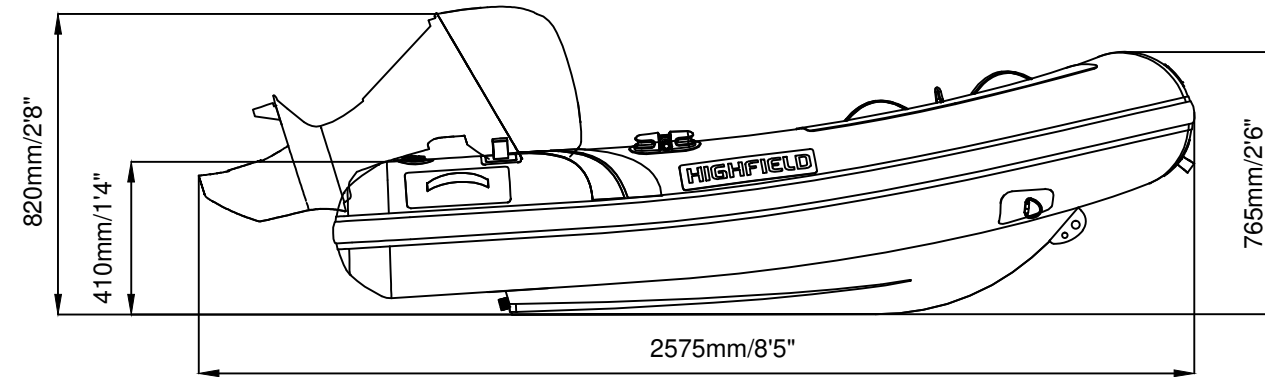
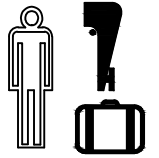


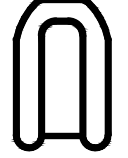




ULTRALITE 220

SPECIFICATIONS



SPECIFICATIONS AND MAXIMUM CAPACITIES (Subject to change without notice. Tolerances: Dimensions ±2.5% Weight ±5%)

MODEL	ISO 6185 PART	ISO 6185			#			Shaft	 Outboard Engine		 Molded seat		Oars		/		Fuel tank Capacity		 Wet Weight (Approximate) 6HP (4.48KW) +Fuel		AIR CHAMBERS						
			KG	LB		KG	LB		KG	LB	KG	LB	KG	LB	L	GAL	KG	LB	PSI	BAR							
UL220	/	/	296	653	3	225	496	S	3.73	5	40.9	90	30	65	2.5	5.5	1.5	3.3	/	/	/	/	89.9	198	3	3.63	0.25

Weight: boat only.