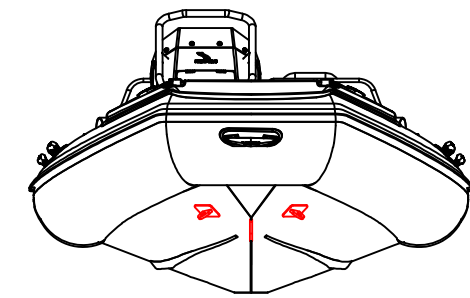
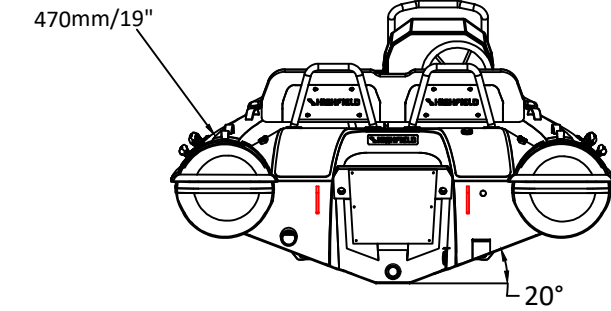
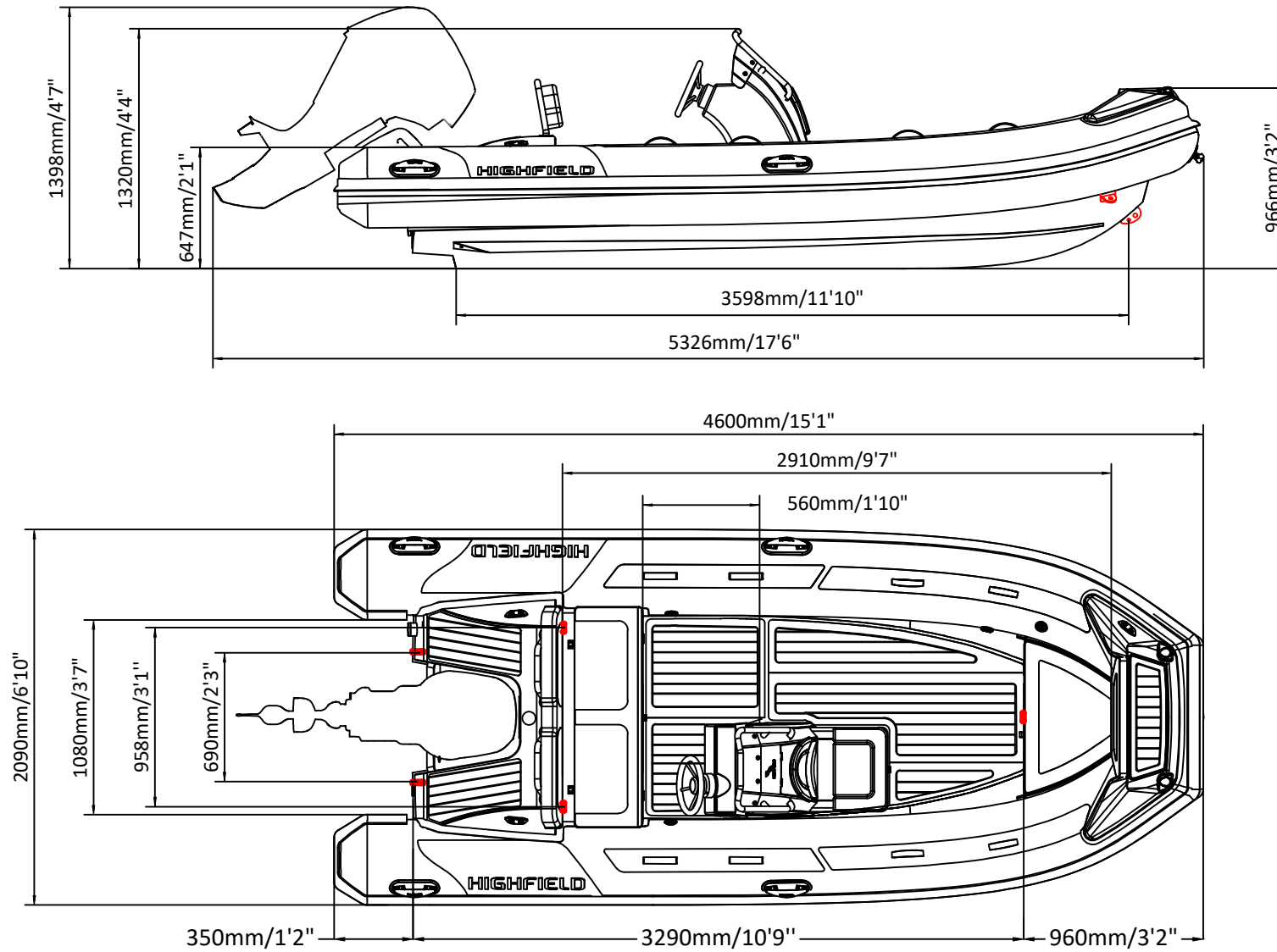


SPORT 460

SPECIFICATIONS



SPECIFICATIONS AND MAXIMUM CAPACITIES (Subject to change without notice. Tolerances: dimensions ±2.5%, weights ±5%)

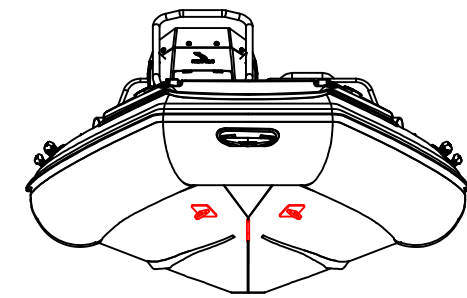
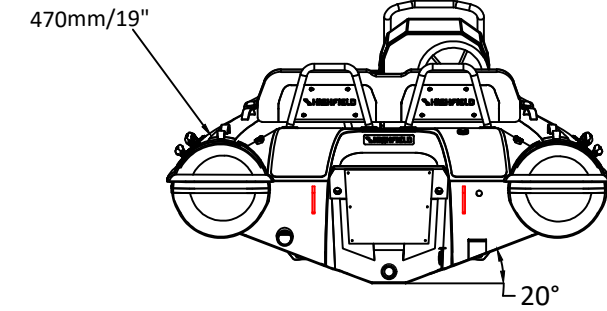
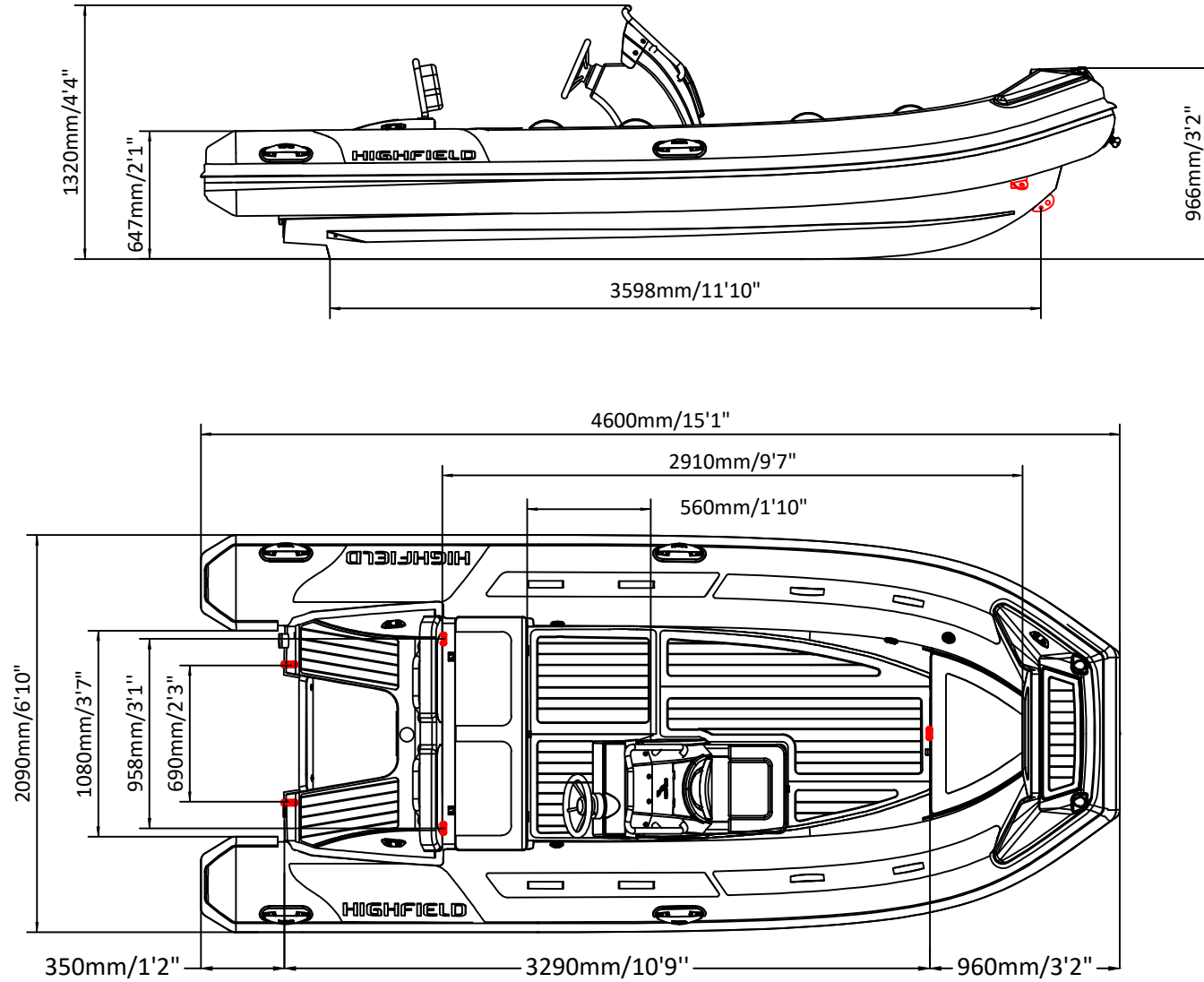
MODEL	ISO 6185 PART	ISO 6185	Crew		#	Weight		Shaft	Outboard Engine		Sundeck		Tow post	Rollbar		Fuel Tank Capacity		Wet Weight (Approximate) 90HP (67.14KW) +Fuel		AIR CHAMBERS	Pressure						
			KG	LB		KG	LB		KG	LB	KG	LB		KG	LB	KG	LB	PSI	BAR								
			Max power KW	Max weight HP		KG	LB		KG	LB	KG	LB		KG	LB	L	GAL	KG	LB								
SPORT 460	3	C	912	2011	9	675	1488	L	67.14	90	207.6	458	332	732	14.5	32	6.5	14.3	17.5	38.6	55	14.5	581	1281	5	3.63	0.25

Boat weight includes: console

2023V2

SPORT 460

SPECIFICATIONS



SPECIFICATIONS AND MAXIMUM CAPACITIES (Subject to change without notice. Tolerances: dimensions ±2.5%, weights ±5%)

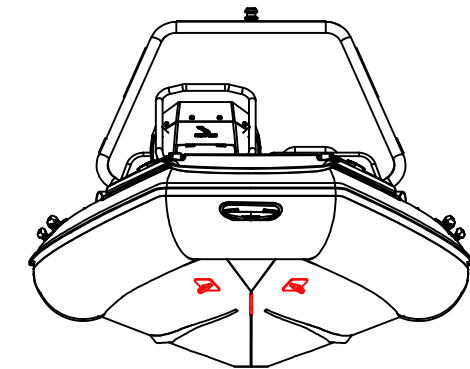
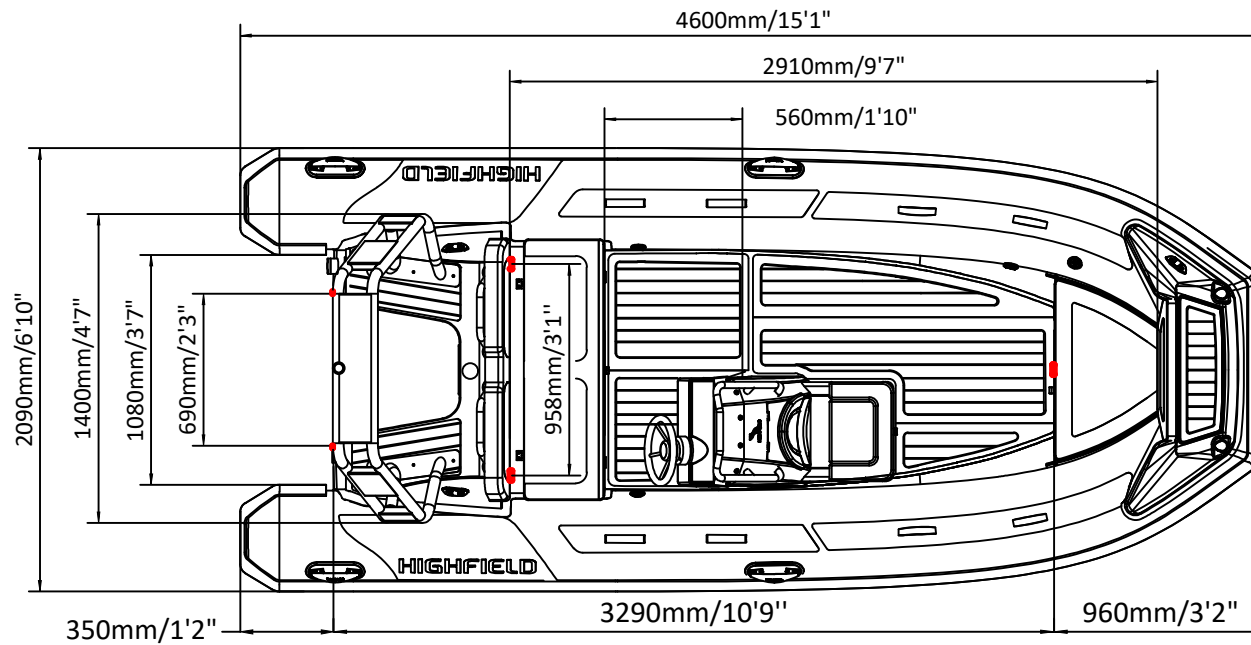
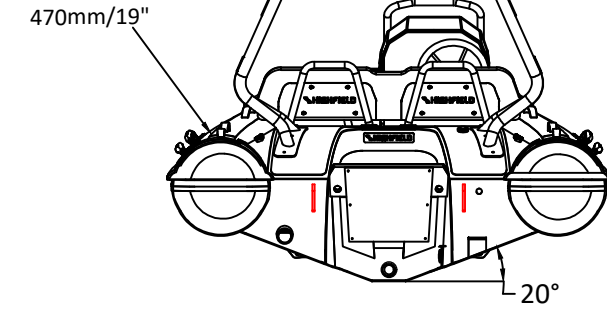
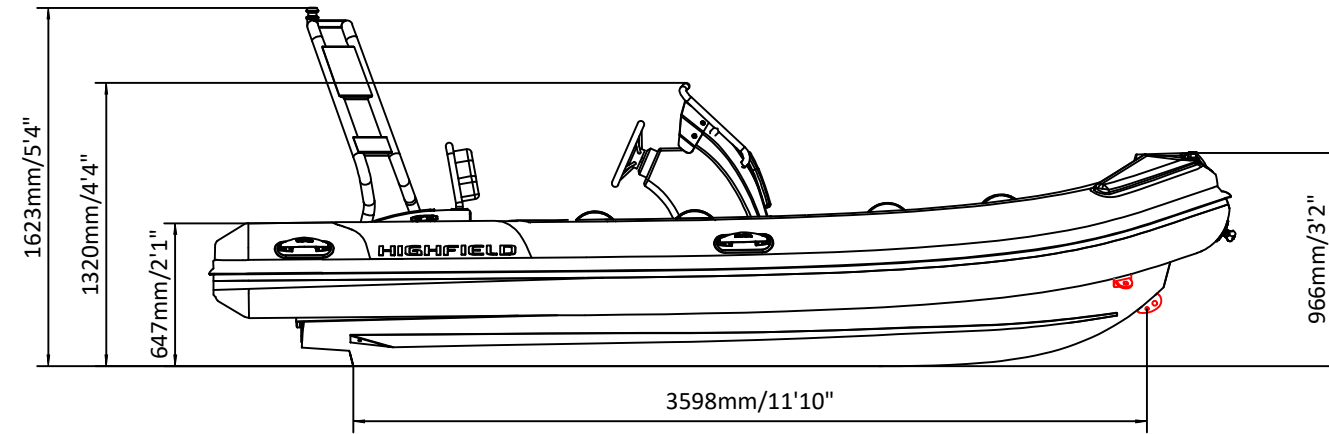
MODEL	ISO 6185 PART	ISO 6185	Crew		#	Weight		Shaft	Outboard Engine		Sundeck		Tow post	Rollbar		Fuel Tank Capacity		Wet Weight (Approximate) 90HP (67.14KW) +Fuel		AIR CHAMBERS	Pressure						
			KG	LB		KG	LB		KG	LB	KG	LB		L	GAL	KG	LB	PSI	BAR								
			Max power KW	Max weight HP		KG	LB		KG	LB	KG	LB		KG	LB	KG	LB	PSI	BAR								
SPORT 460	3	C	912	2011	9	675	1488	L	67.14	90	207.6	458	332	732	14.5	32	6.5	14.3	17.5	38.6	55	14.5	581	1281	5	3.63	0.25

Boat weight includes: console

2023V2

SPORT 460

SPECIFICATIONS



SPECIFICATIONS AND MAXIMUM CAPACITIES (Subject to change without notice. Tolerances: dimensions ±2.5%, weights ±5%)

MODEL	ISO 6185 PART	ISO 6185	Person		#	Person		Shaft	Outboard Engine				Sundeck		Tow post		Rollbar		Fuel Tank Capacity		Wet Weight (Approximate) 90HP (67.14KW) +Fuel		AIR CHAMBERS	Pressure			
			KG	LB		KG	LB		Max power	Max weight	KG	LB	KG	LB	KG	LB	L	GAL	KG	LB	PSI	BAR					
									KW	HP	KG	LB															
SPORT 460	3	C	912	2011	9	675	1488	L	67.14	90	207.6	458	332	732	14.5	32	6.5	14.3	17.5	38.6	55	14.5	581	1281	5	3.63	0.25

Boat weight includes: console

2023V2