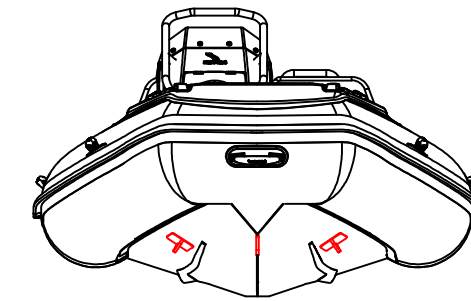
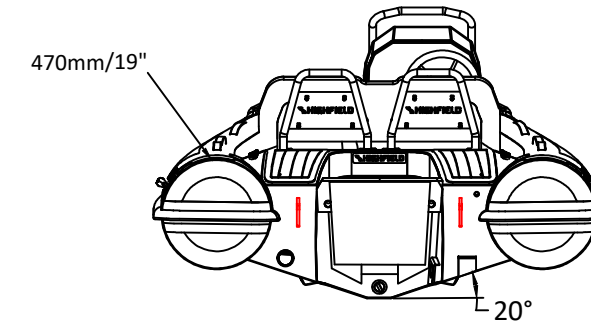
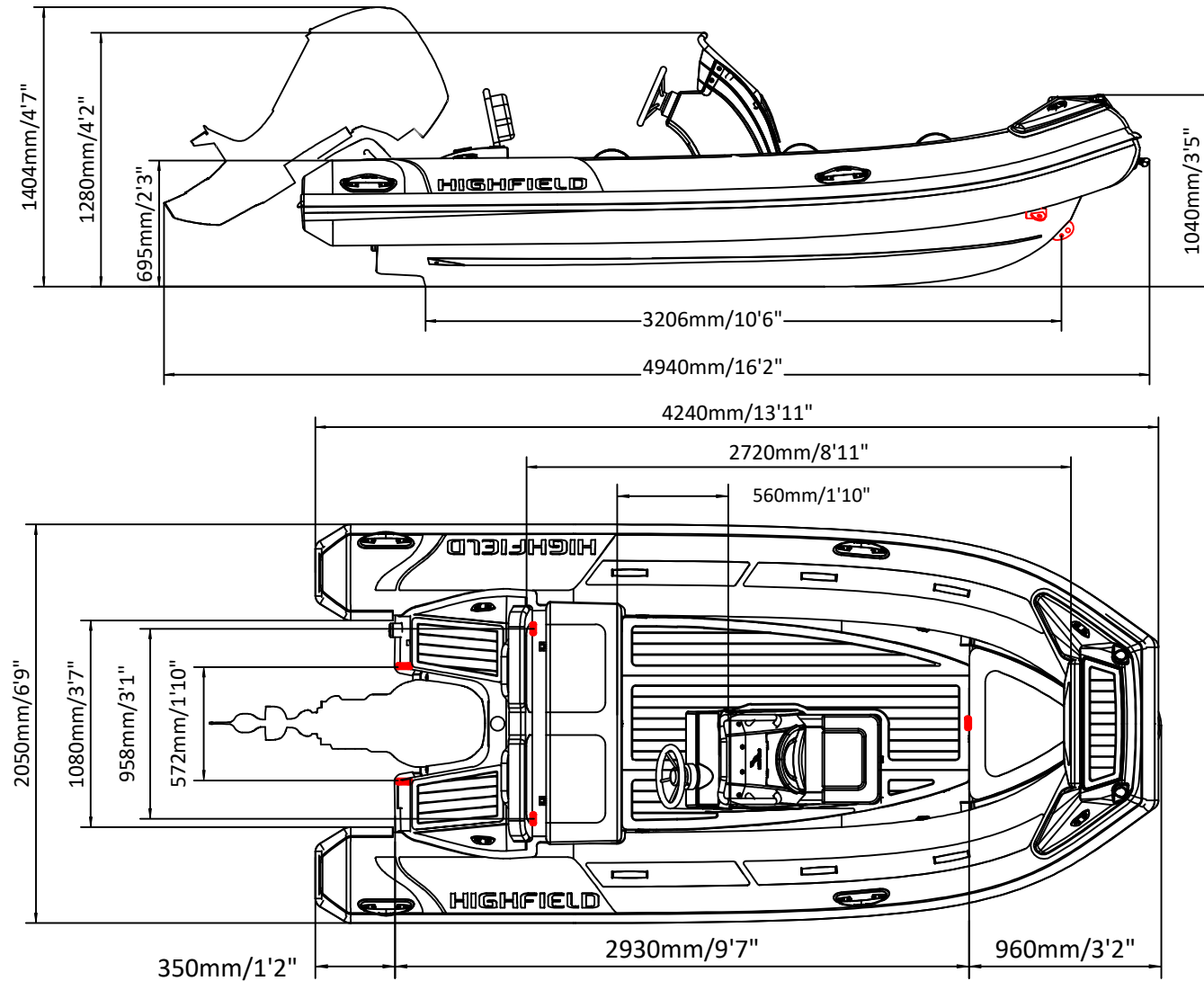


# SPORT 420

# SPECIFICATIONS



SPECIFICATIONS AND MAXIMUM CAPACITIES (Subject to change without notice. Tolerances: dimensions ±2.5%, weights ±5%)

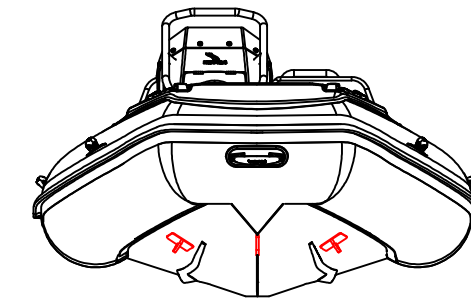
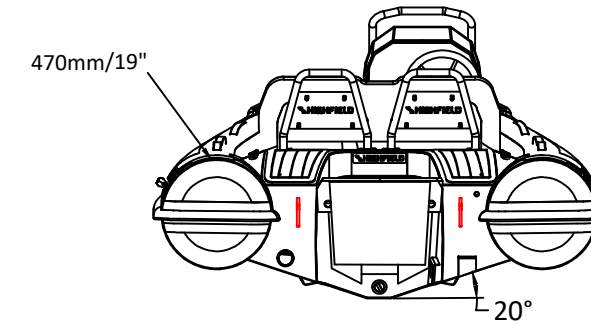
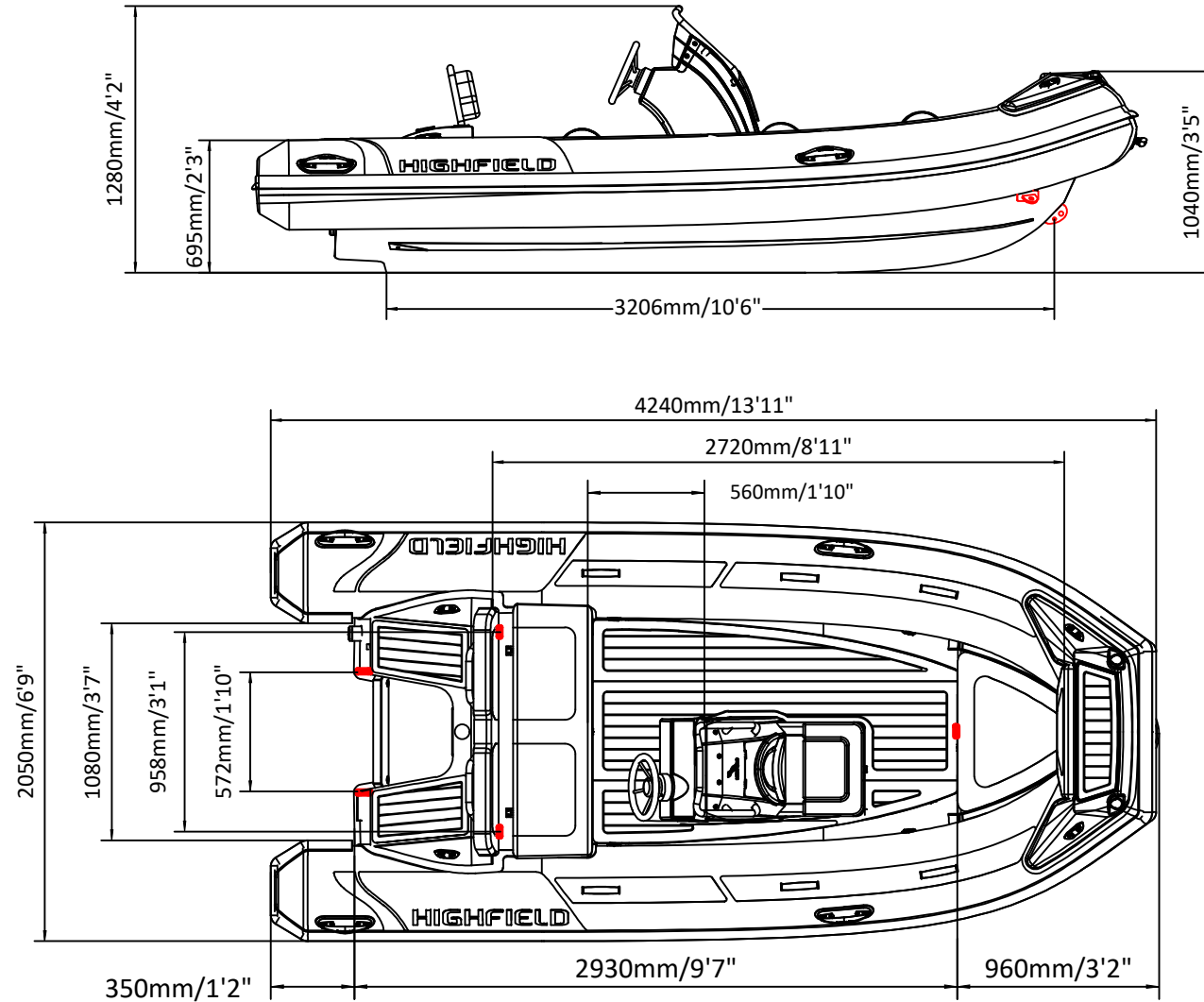
MODEL	ISO 6185 PART	ISO 6185	Passengers		#	Weight		Shaft	Outboard Engine		Sundeck		Tow post		Rollbar		Fuel Tank Capacity		Wet Weight (Approximate) 70HP (52.22KW) +Fuel		AIR CHAMBERS	Pressure					
			KG	LB		KG	LB		KG	LB	KG	LB	KG	LB	KG	LB	KG	LB	KG	LB		PSI	BAR				
			Max power KW	Max weight HP		Max weight KG	Max weight LB		KG	LB	KG	LB	KG	LB	L	GAL	KG	LB									
SPORT 420	3	C	791	1744	8	600	1323	L	52.22	70	188.5	416	309	681	9	19.8	6.5	14.3	17.5	38.6	55	14.5	539	1188	4	3.63	0.25

Boat weight includes: console

2023V2

# SPORT 420

# SPECIFICATIONS



SPECIFICATIONS AND MAXIMUM CAPACITIES (Subject to change without notice. Tolerances: dimensions ±2.5%, weights ±5%)

MODEL	ISO 6185 PART	ISO 6185	Passengers		#	Weight		Shaft	Outboard Engine				Sundeck		Tow post		Rollbar		Fuel Tank Capacity		Wet Weight (Approximate) 70HP (52.22KW) +Fuel		AIR CHAMBERS	Pressure			
			KG	LB		KG	LB		KG	LB	KG	LB	KG	LB	KG	LB	KG	LB	KG	LB	KG	LB		PSI	BAR		
			Max power KW	HP		Max weight KG	LB		KG	LB	KG	LB	KG	LB	KG	LB	L	GAL	KG	LB	KG	LB					
SPORT 420	3	C	791	1744	8	600	1323	L	52.22	70	188.5	416	309	681	9	19.8	6.5	14.3	17.5	38.6	55	14.5	539	1188	4	3.63	0.25

Boat weight includes: console