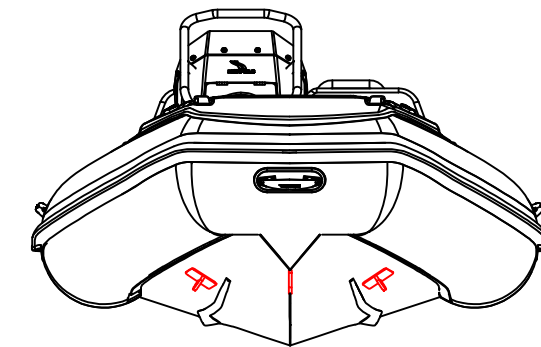
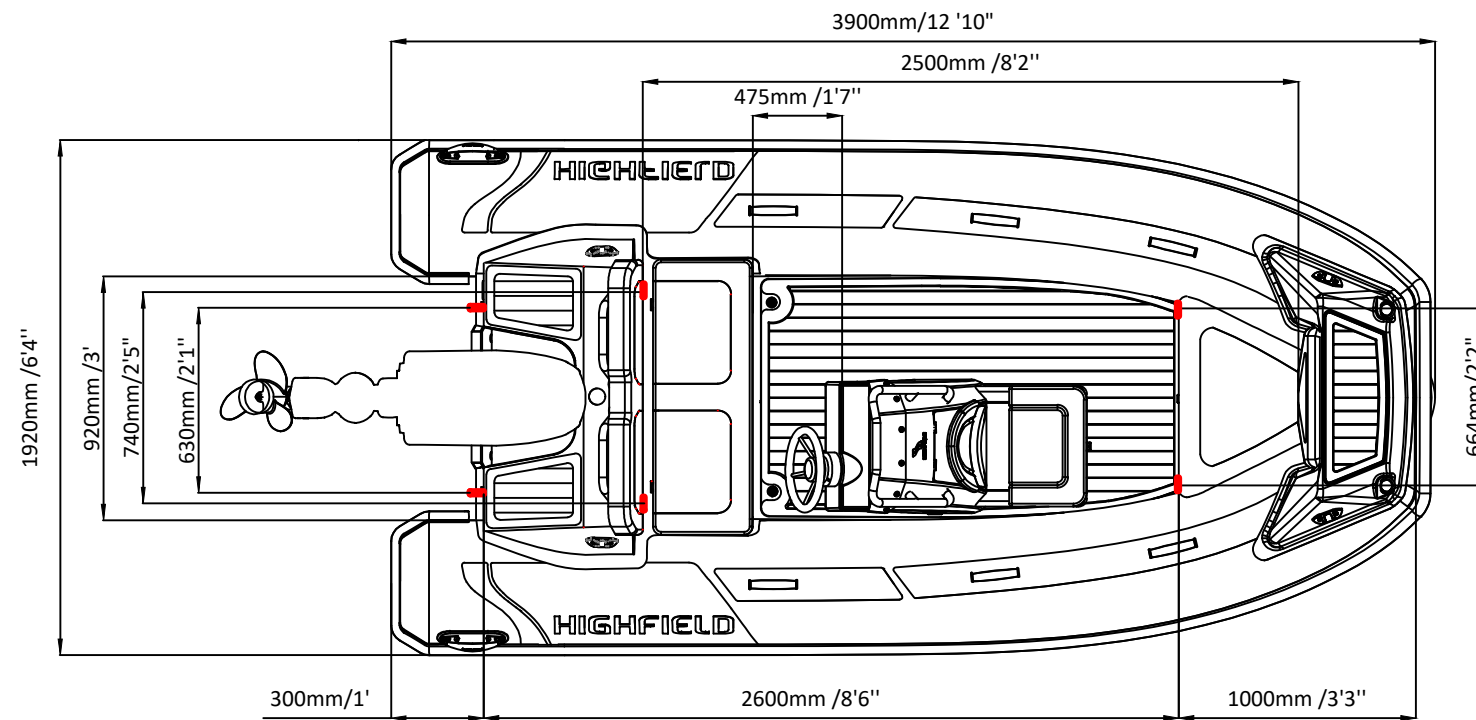
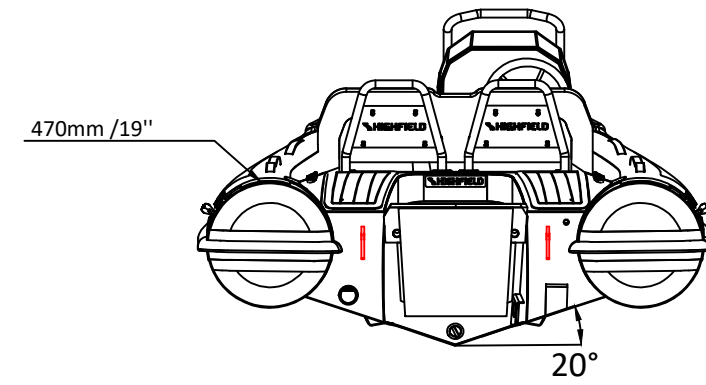
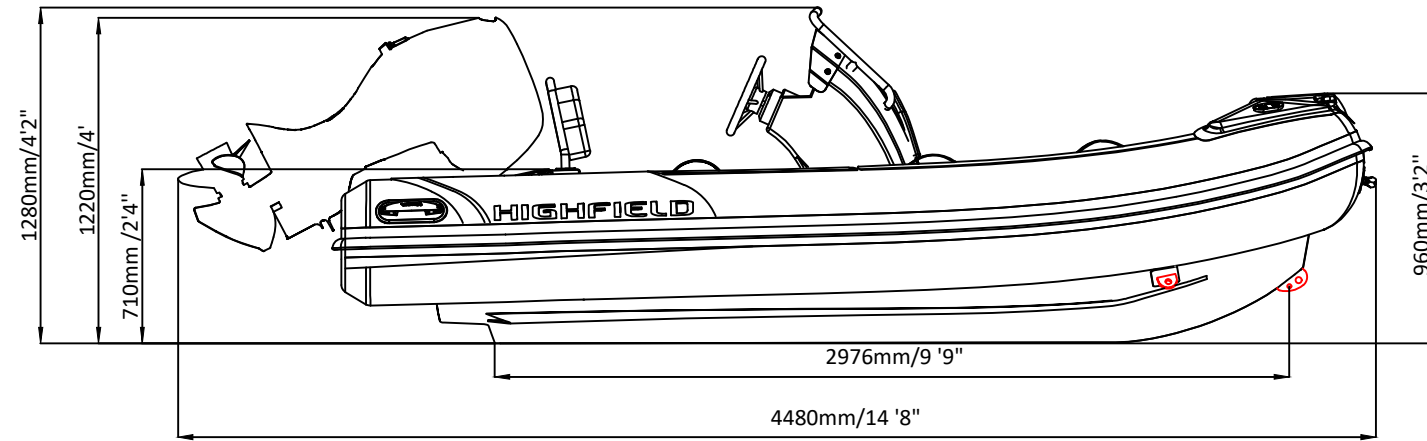


# SPORT 390

# SPECIFICATIONS



SPECIFICATIONS AND MAXIMUM CAPACITIES (Subject to change without notice. Tolerances: dimensions ±2.5%, weights ±5%)

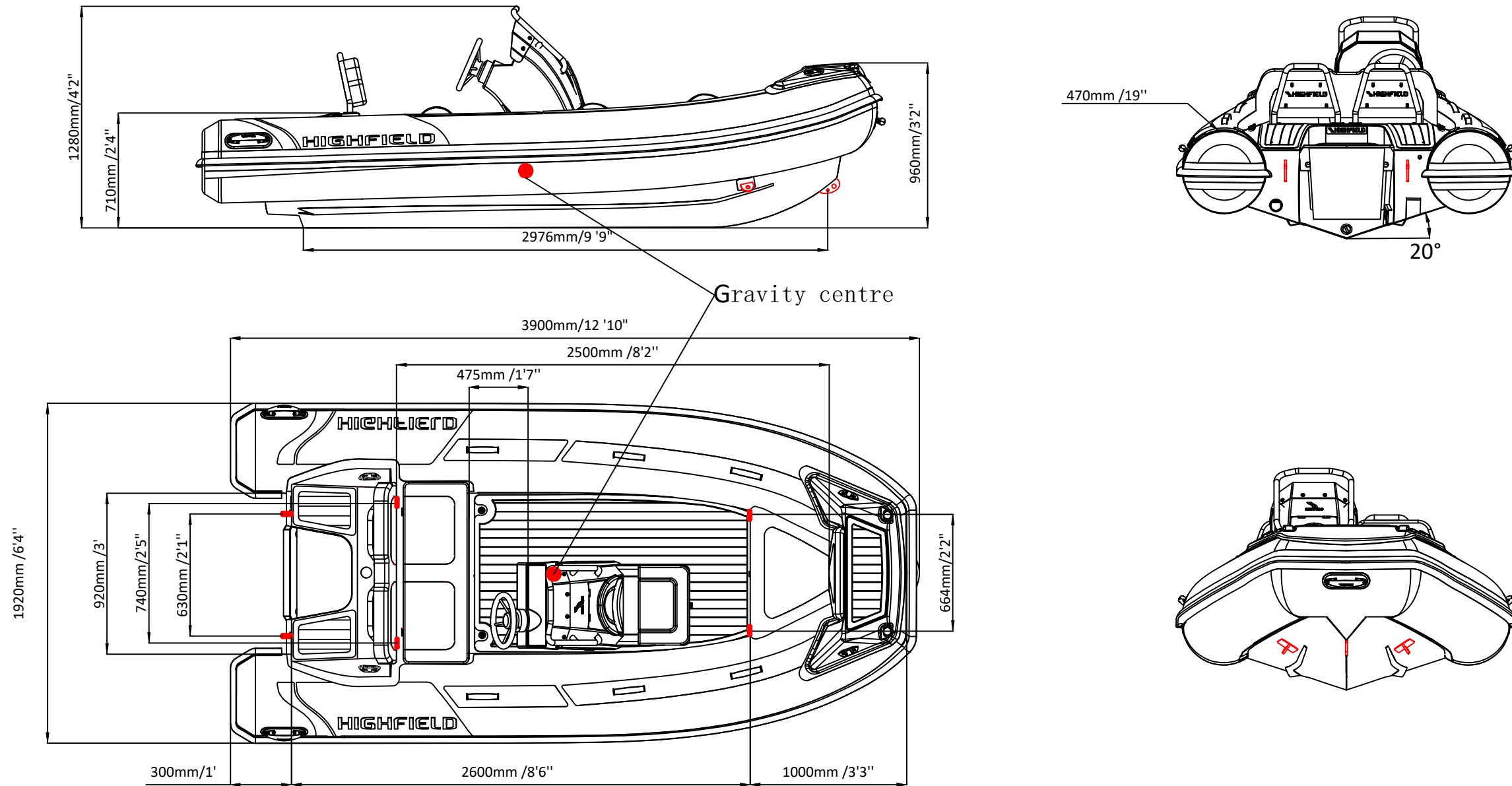
MODEL	ISO 6185 PART	ISO 6185	Passengers		#	Weight		Shaft	Outboard Engine		Sundeck		Tow post	Rollbar		Fuel Tank Capacity		Wet Weight (Approximate) 60HP (44.76KW) +Fuel		AIR CHAMBERS	Pressure						
			KG	LB		KG	LB		KG	LB	KG	LB		KG	LB	KG	LB	PSI	BAR								
SPORT 390	3	C	716	1579	7	525	1157	L	44.76	60	161.7	356	226	497	6	13.2	6.5	14.3	17	37	30	8	410	904	3	3.63	0.25

Boat weight includes: console

2023V2

# SPORT 390

# SPECIFICATIONS



SPECIFICATIONS AND MAXIMUM CAPACITIES (Subject to change without notice. Tolerances: dimensions ±2.5%, weights ±5%)

MODEL	ISO 6185 PART	ISO 6185	Passengers		#	Weight		Shaft	Outboard Engine		Sundeck		Tow post		Rollbar		Fuel Tank Capacity		Wet Weight (Approximate) 60HP (44.76KW) +Fuel		AIR CHAMBERS	Pressure					
			KG	LB		KG	LB		KG	LB	KG	LB	KG	LB	KG	LB	KG	LB	KG	LB		PSI	BAR				
SPORT 390	3	C	716	1579	7	525	1157	L	44.76	60	161.7	356	226	497	6	13.2	6.5	14.3	17	37	30	8	410	904	3	3.63	0.25

Boat weight includes: console

2023V2