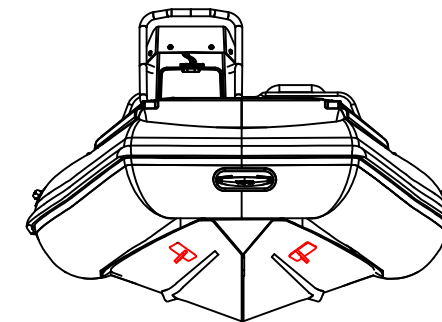
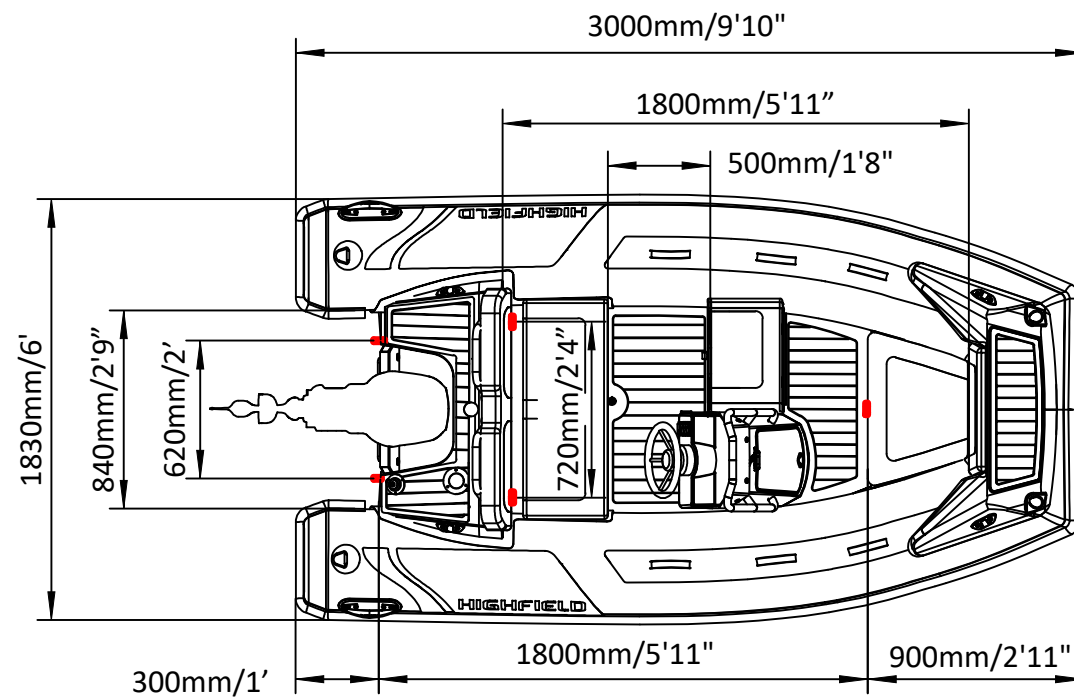
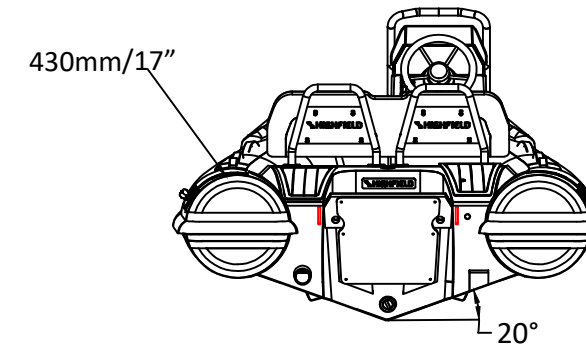
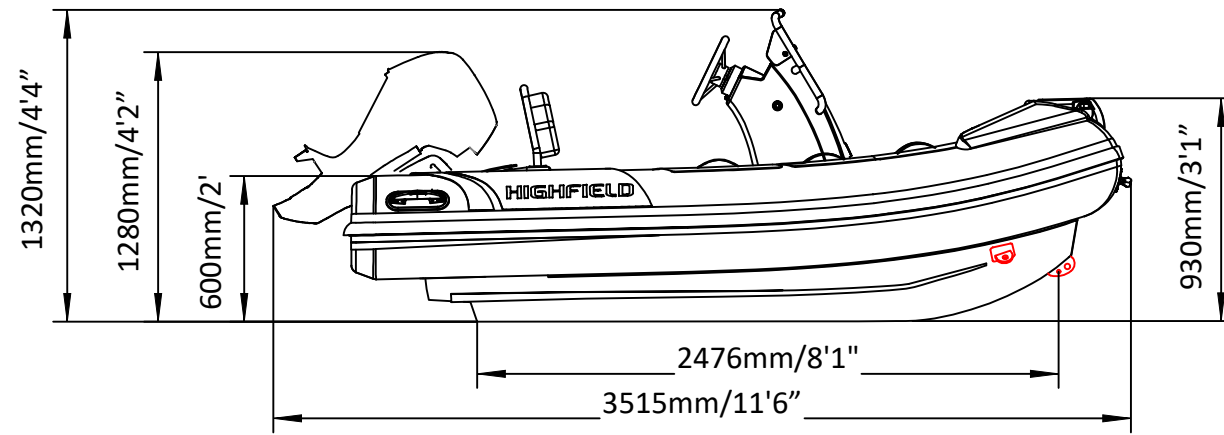


# SPORT 300

# SPECIFICATIONS



SPECIFICATIONS AND MAXIMUM CAPACITIES (Subject to change without notice. Tolerances: dimensions ±2.5%, weights ±5%)

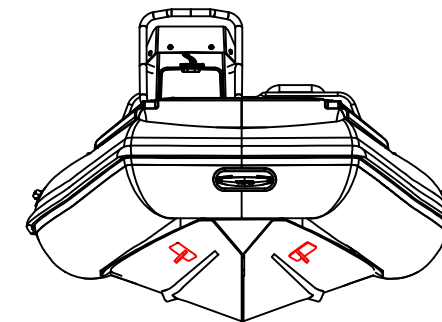
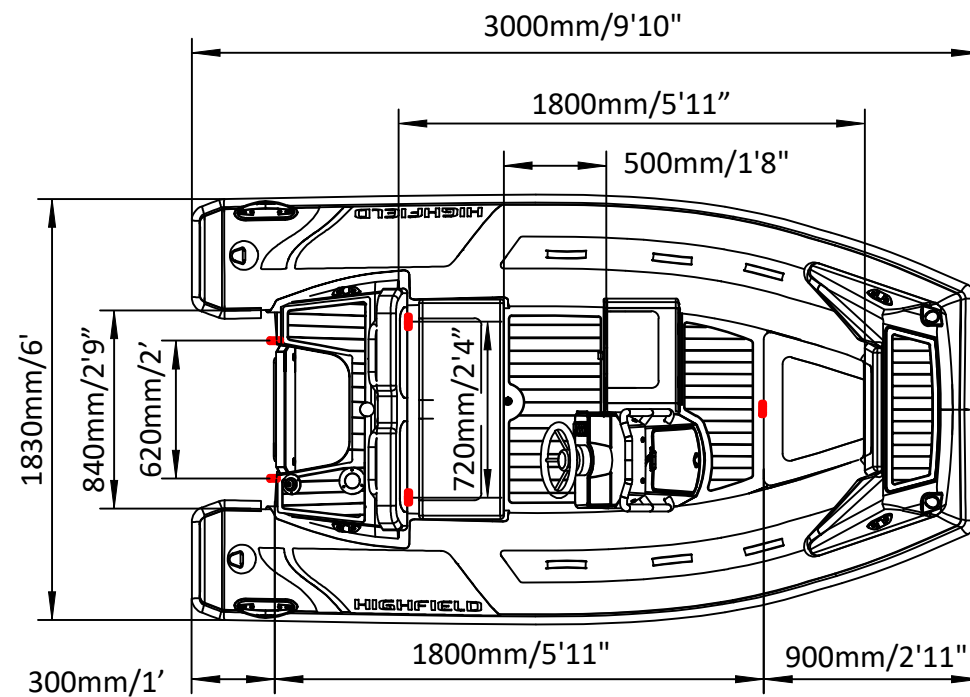
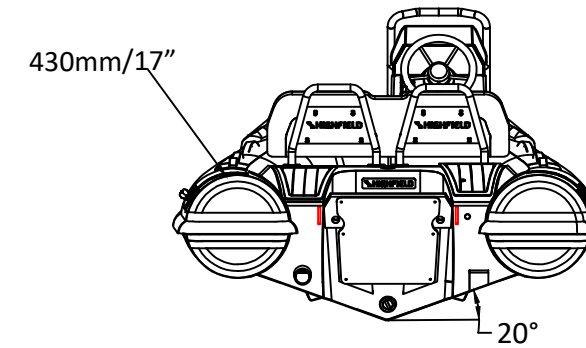
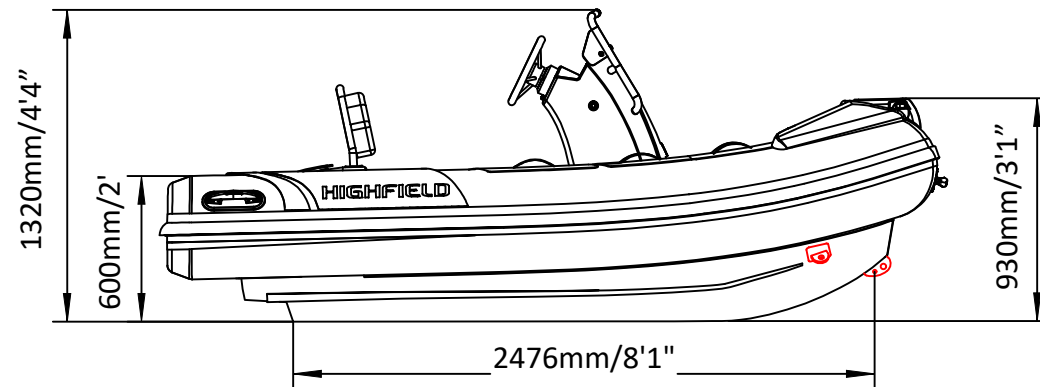
| MODEL     | ISO 6185 PART | ISO 6185 | Crew |      | # | Weight |     | Shaft | Outboard Engine |    | Sundeck |     | Tow post |     | /  |    | Fuel Tank Capacity |    | Wet Weight (Approximate)<br>30HP (22.38KW)<br>+Fuel |     | AIR CHAMBERS | Pressure |     |     |   |      |      |
|-----------|---------------|----------|------|------|---|--------|-----|-------|-----------------|----|---------|-----|----------|-----|----|----|--------------------|----|---|-----|--------------|----------|-----|-----|---|------|------|
|           |               |          | KG   | LB   |   | KG     | LB  |       | KG              | LB | KG      | LB  | KG       | LB  | KG | LB | KG                 | LB | PSI   | BAR |              |          |     |     |   |      |      |
|           |               |          |      |      |   |        |     |       |                 |    |         |     |          |     |    |    |                    |    |   |     |              |          |     |     |   |      |      |
| SPORT 300 | 3             | C        | 464  | 1023 | 4 | 300    | 661 | L     | 22.38           | 30 | 124.1   | 274 | 175      | 385 | /  | /  | /                  | /  | /   | /   | /            | /        | 322 | 710 | 3 | 3.63 | 0.25 |

Boat weight includes: console

2023V2

# SPORT 300

# SPECIFICATIONS



SPECIFICATIONS AND MAXIMUM CAPACITIES (Subject to change without notice. Tolerances: dimensions ±2.5%, weights ±5%)

| MODEL     | ISO 6185 PART | ISO 6185 | Crew         |              | # | Weight        |               | Shaft | Outboard Engine |    | Sundeck |     | Tow post |     | /  |     | Fuel Tank Capacity |    | Wet Weight (Approximate) 30HP (22.38KW) +Fuel |    | AIR CHAMBERS | Pressure |     |      |      |
|-----------|---------------|----------|--------------|--------------|---|---------------|---------------|-------|-----------------|----|---------|-----|----------|-----|----|-----|--------------------|----|---|----|--------------|----------|-----|------|------|
|           |               |          | KG           | LB           |   | KG            | LB            |       | KG              | LB | KG      | LB  | KG       | LB  | KG | LB  | KG                 | LB | KG  | LB |              | PSI      | BAR |      |      |
|           |               |          | Max power KW | Max power HP |   | Max weight KG | Max weight LB |       | KG              | LB | KG      | LB  | KG       | LB  | L  | GAL | KG                 | LB |   |    |              |          |     |      |      |
| SPORT 300 | 3             | C        | 464          | 1023         | 4 | 300           | 661           | L     | 22.38           | 30 | 124.1   | 274 | 175      | 385 | /  | /   | /                  | /  | /   | /  | 322          | 710      | 3   | 3.63 | 0.25 |

Boat weight includes: console