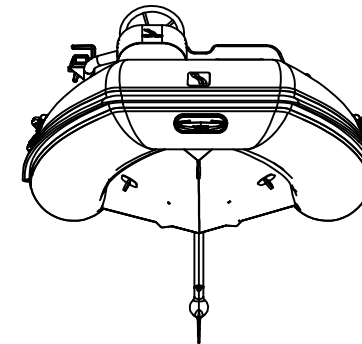
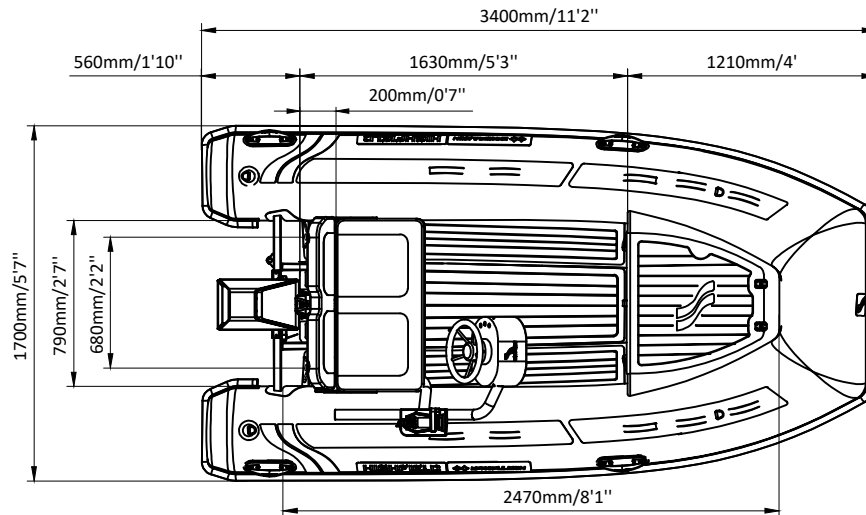
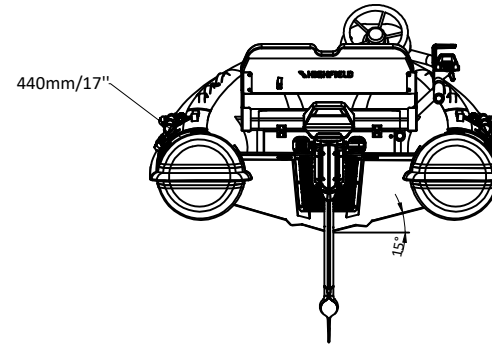
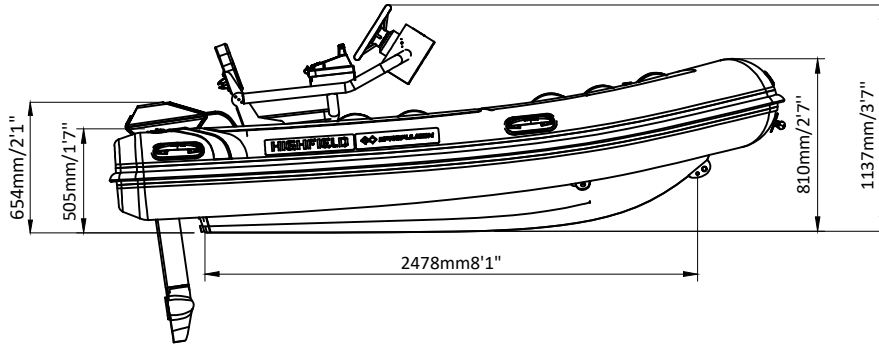


CLASSIC 340 E

(Short Shaft)

SPECIFICATIONS



SPECIFICATIONS AND MAXIMUM CAPACITIES (Subject to change without notice. Tolerances: dimensions $\pm 2.5\%$, weights $\pm 5\%$) Note: red means lifting eyes.

MODEL	ISO 6185 PART	ISO 6185			#			Shaft	Outboard Engine						FCT E		BATTERY		Wet Weight (Approximate) 		AIR CHAMBERS		
			KG	LB		KG	LB		power	weight	KG	LB	KG	LB	KG	LB	KG	LB	PSI	BAR			
											KW	HP	KG	LB	KG	LB	KG	LB				KG	LB
CL340 E	3	C	398	878	5	375	827	S	6	8	23	51	89	196	37	82	75	165	112	247	3	3.63	0.25

Weight: boat only.

2023V1