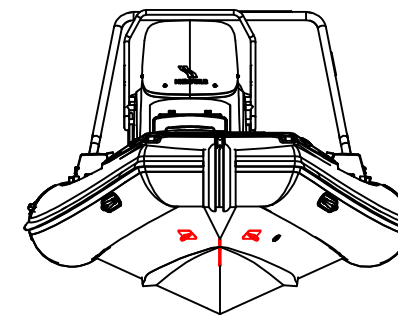
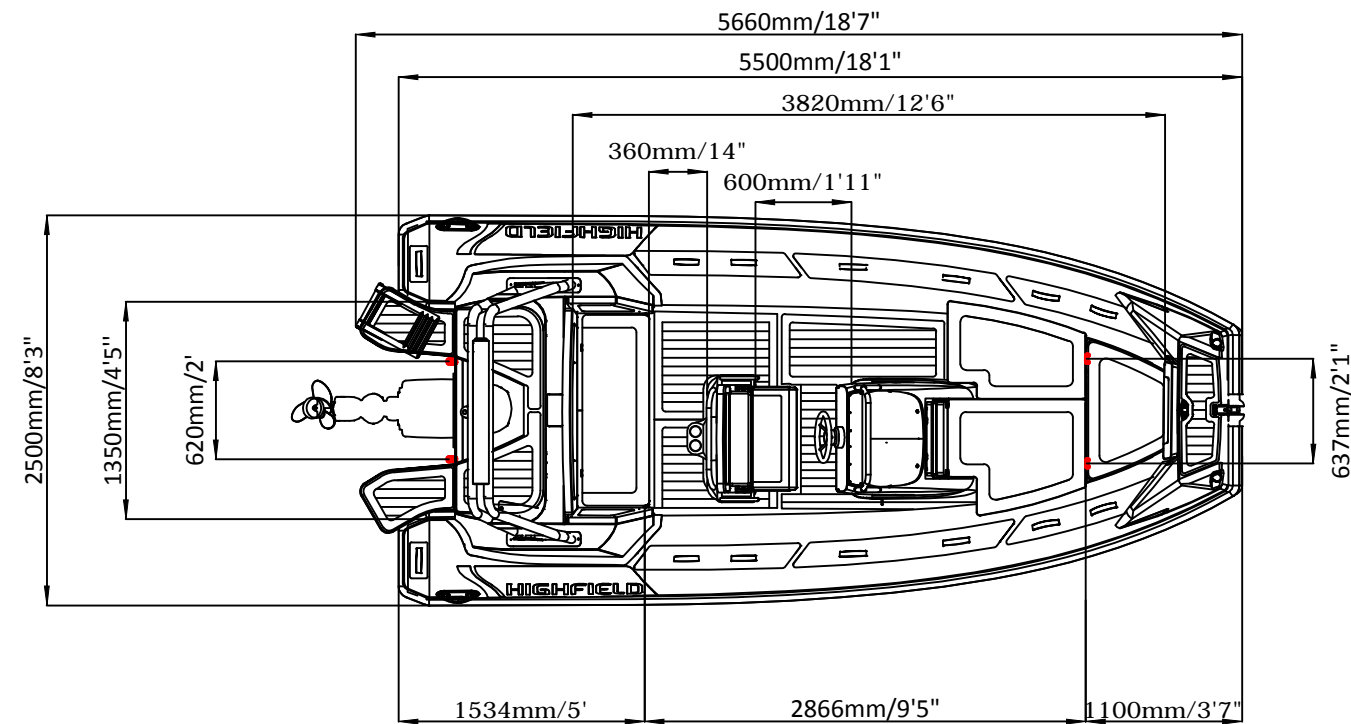
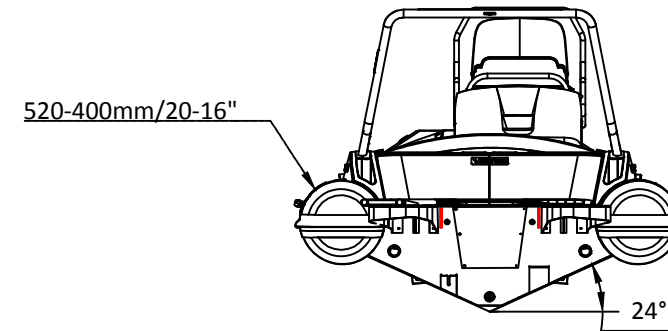
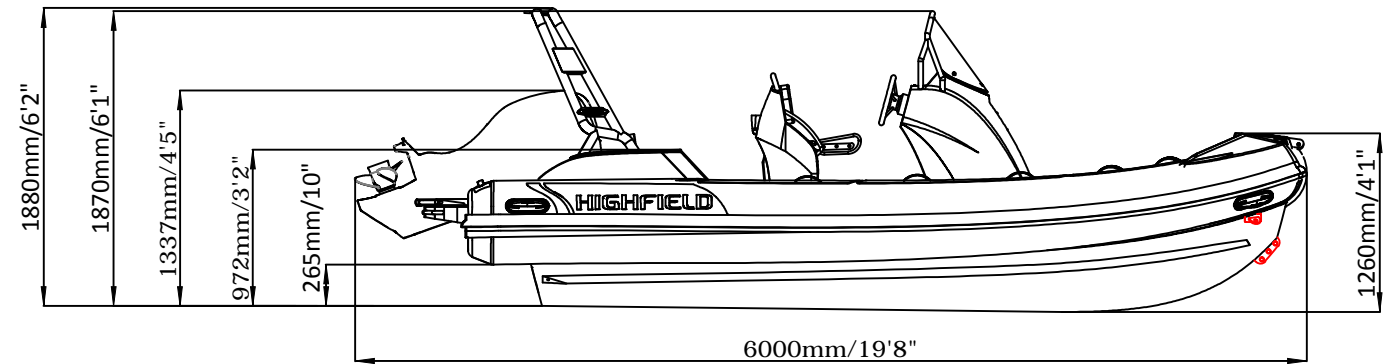


# SPORT 560

# SPECIFICATIONS



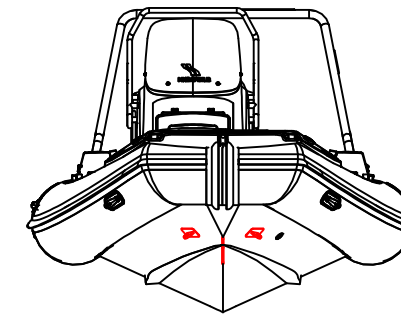
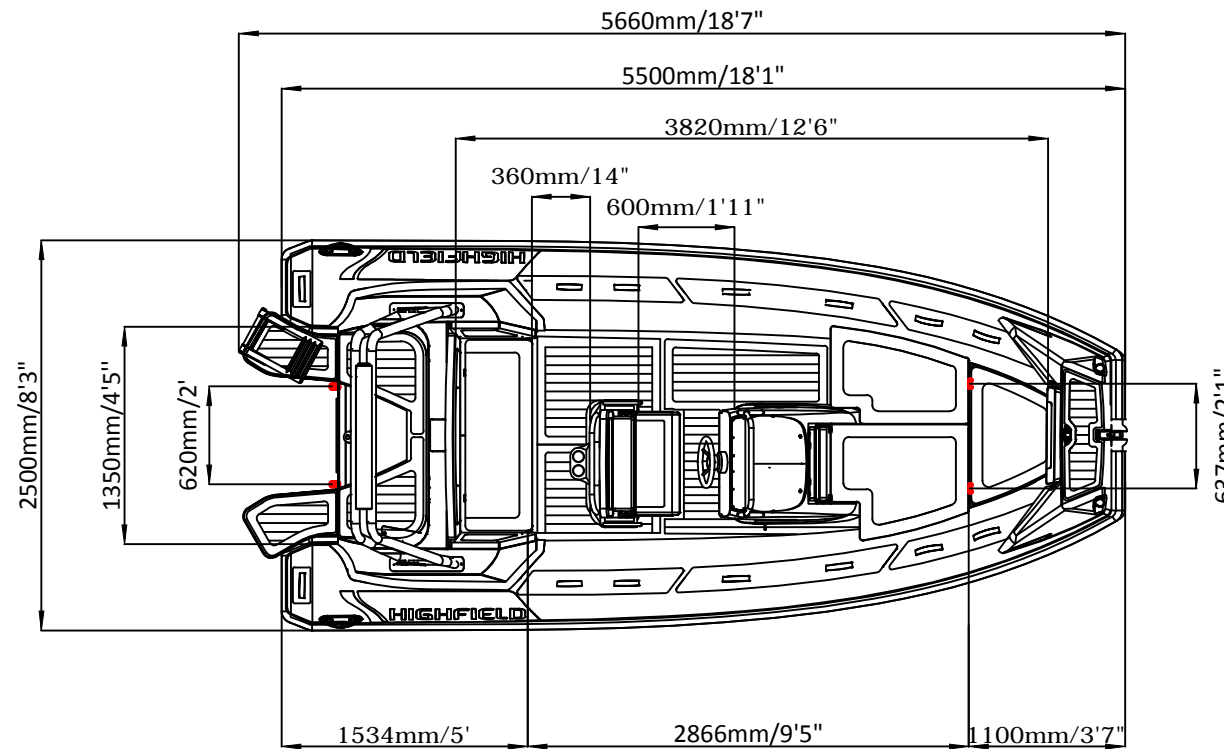
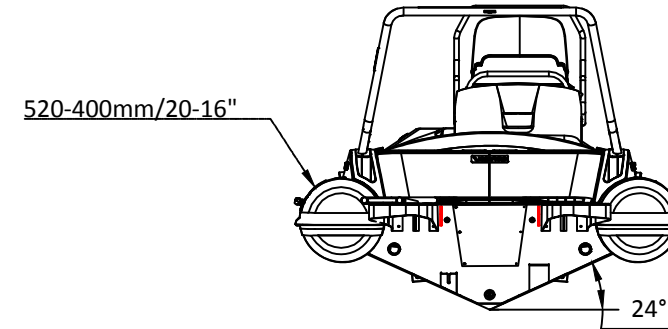
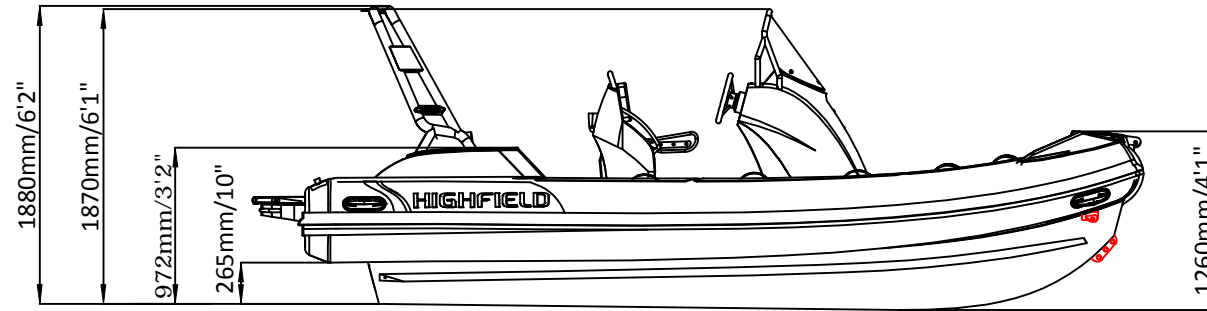
SPECIFICATIONS AND MAXIMUM CAPACITIES (Subject to change without notice. Tolerances: dimensions ±2.5%, weights ±5%)

MODEL	ISO 6185 PART	ISO 6185	Crew		#	Weight		Shaft	Outboard Engine		Sundeck		Tow post		Rollbar		Fuel Tank Capacity		Wet Weight (Approximate) 30HP (22.38KW) +Fuel		AIR CHAMBERS	Pressure					
			KG	LB		KG	LB		KG	LB	KG	LB	KG	LB	KG	LB	KG	LB	KG	LB		PSI	BAR				
SPORT 560	3	C	1188	2619	12	900	1984	XL	85.79	115	258.6	570	581	1280	17	37.5	12.5	27.6	17.5	38.6	105	27.7	918	2024	6	3.63	0.25

Boat weight includes: console, seat

# SPORT 560

# SPECIFICATIONS



SPECIFICATIONS AND MAXIMUM CAPACITIES (Subject to change without notice. Tolerances: dimensions ±2.5%, weights ±5%)

MODEL	ISO 6185 PART	ISO 6185	Crew		#	Weight		Shaft	Outboard Engine		Sundeck		Tow post		Rollbar		Fuel Tank Capacity		Wet Weight (Approximate) 30HP (22.38KW) +Fuel		AIR CHAMBERS	Pressure					
			KG	LB		KG	LB		KG	LB	KG	LB	KG	LB	KG	LB	KG	LB	KG	LB		PSI	BAR				
SPORT 560	3	C	1188	2619	12	900	1984	XL	85.79	115	258.6	570	581	1280	17	37.5	12.5	27.6	17.5	38.6	105	27.7	918	2024	6	3.63	0.25

Boat weight includes: console, seat