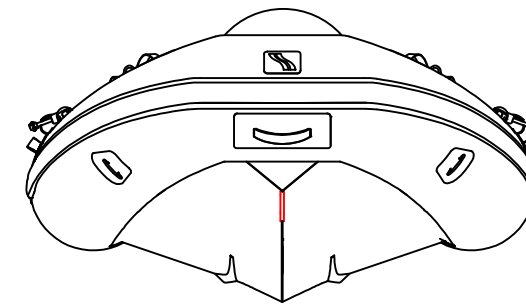
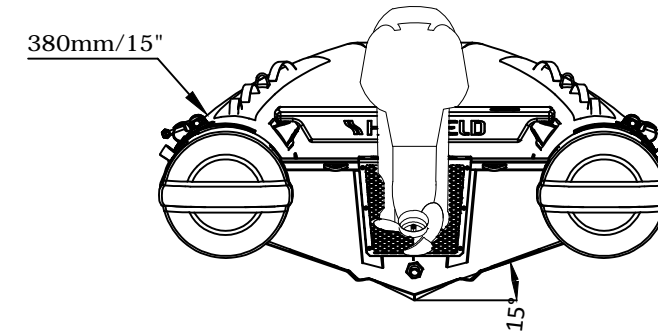
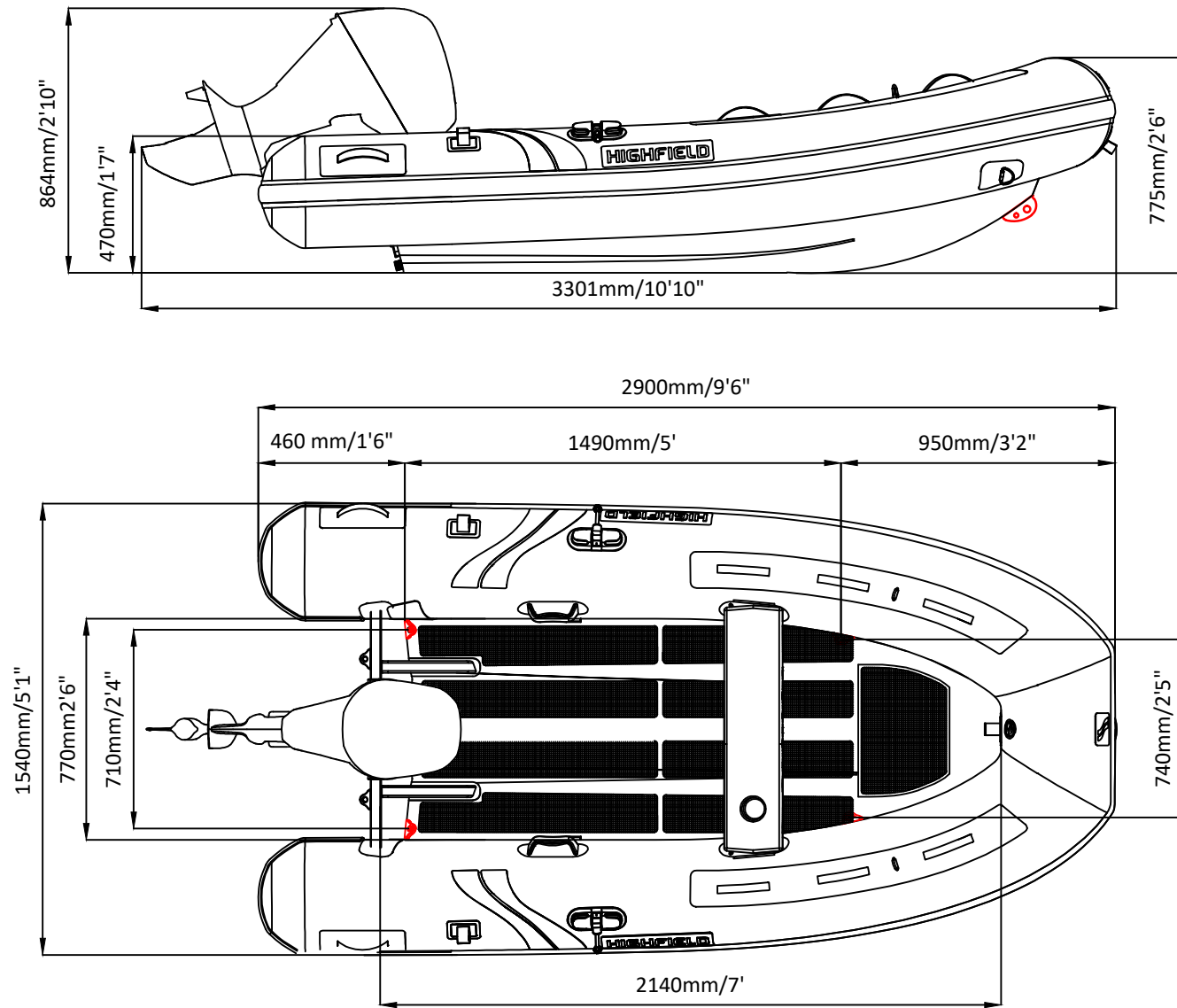


ULTRALITE 290

SPECIFICATIONS



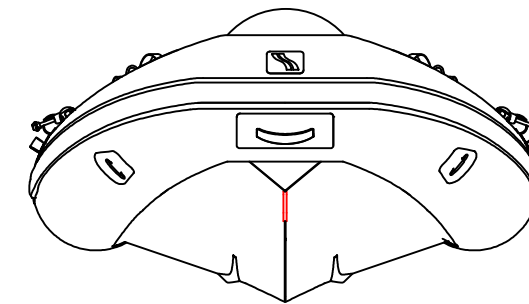
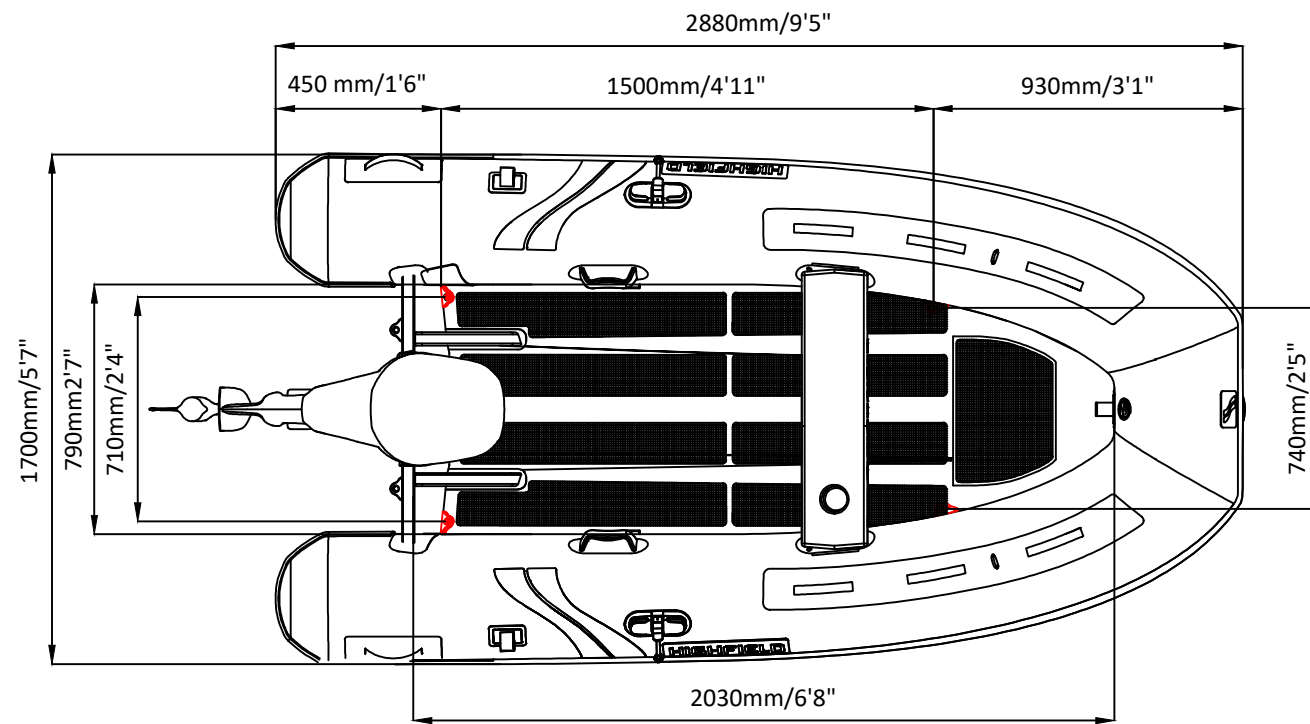
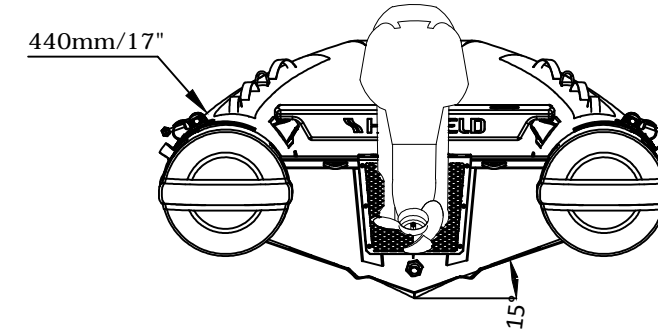
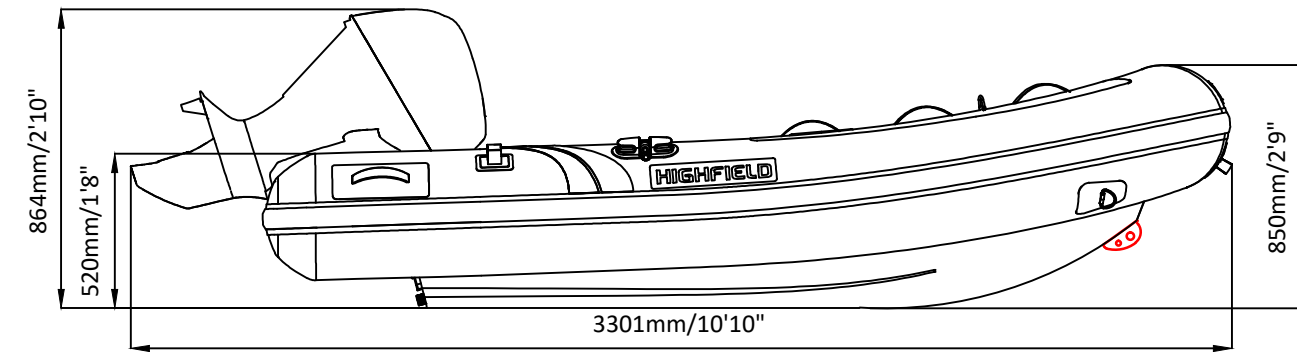
SPECIFICATIONS AND MAXIMUM CAPACITIES (Subject to change without notice. Tolerances: Dimensions ±2.5% Weight ±5%)

MODEL	ISO 6185 PART	ISO 6185			#			Shaft	Outboard Engine				Molded seat		Oars		/		Fuel tank Capacity		Wet Weight (Approximate) 10HP (7.46KW) +Fuel		AIR CHAMBERS				
			KG	LB		KG	LB		KG	LB	KG	LB	KG	LB	KG	LB	L	GAL	KG	LB	PSI	BAR					
UL290	2	C	375	827	4	300	661	S	7.46	10	60	132	39	86	3	6.6	1.5	3.3	/	/	/	/	119	262	3	3.63	0.25

Weight: boat only.

ULTRALITE 290LT

SPECIFICATIONS



SPECIFICATIONS AND MAXIMUM CAPACITIES (Subject to change without notice. Tolerances: Dimensions ±2.5% Weight ±5%)

MODEL	ISO 6185 PART	ISO 6185					Outboard Engine		Molded seat		Oars		/		Fuel tank Capacity		Wet Weight (Approximate) 15HP (7.46KW) +Fuel		AIR CHAMBERS								
			KG	LB	#	KG	LB	Shaft	Max power		Max weight		KG	LB	KG	LB	KG	LB	L	GAL	KG	LB	PSI	BAR			
									KW	HP	KG	LB															
UL290LT	2	C	400	882	4	300	661	S	11.19	15	60	132	43	95	3	6.6	1.5	3.3	/	/	/	/	123	271	3	3.63	0.25

Weight: boat only.