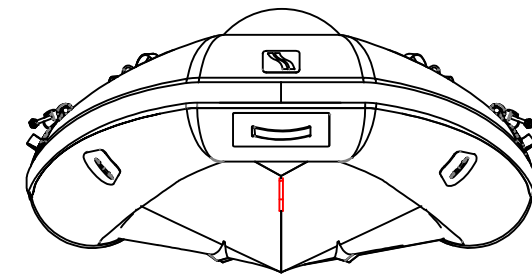
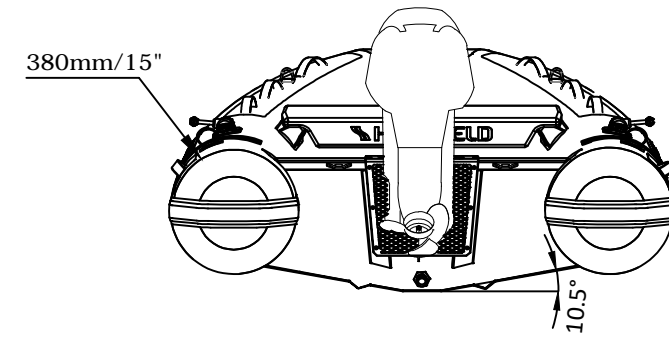
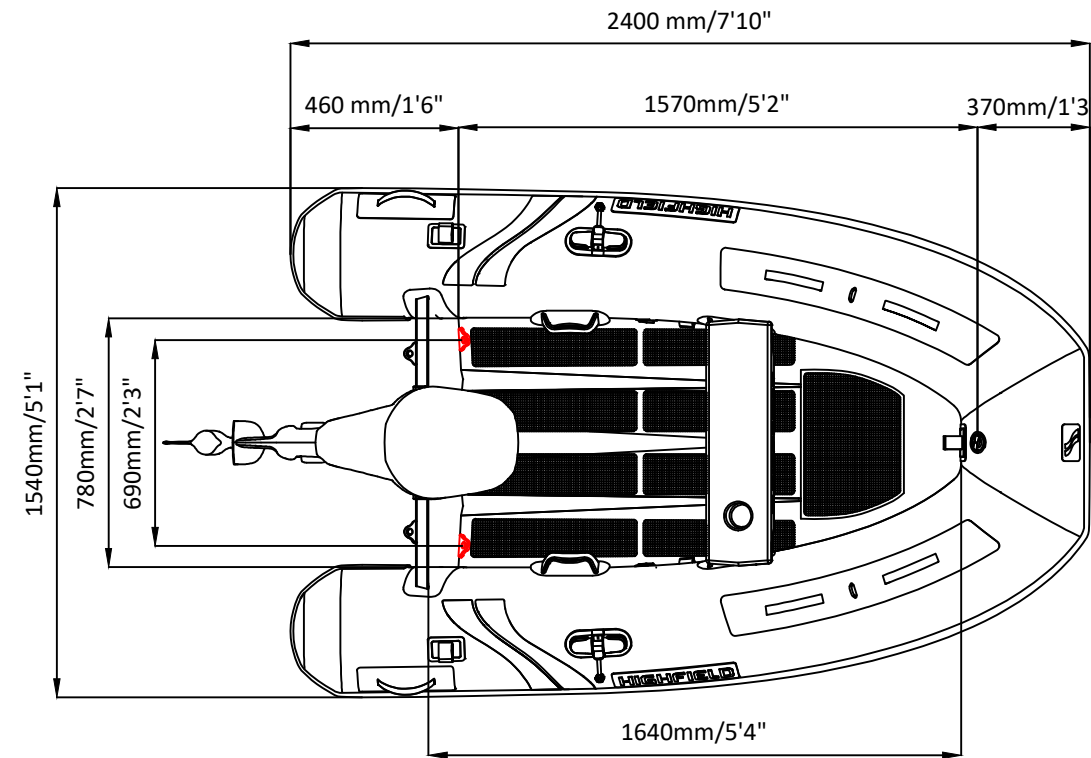
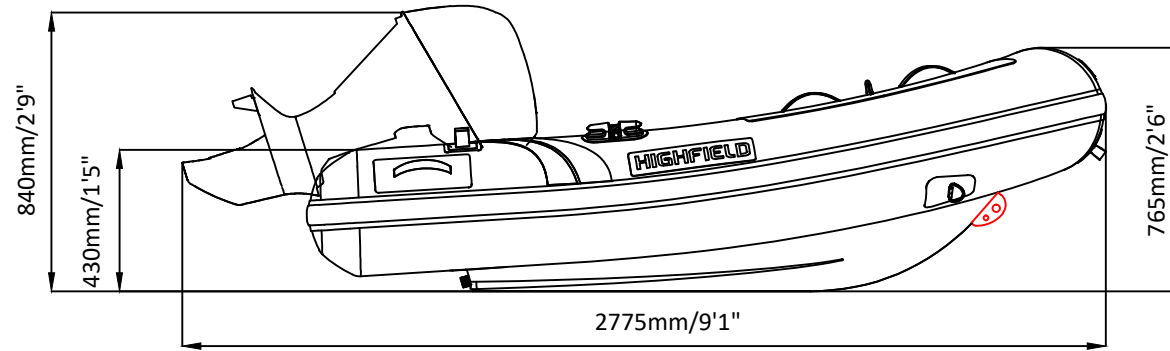


ULTRALITE 240

SPECIFICATIONS



SPECIFICATIONS AND MAXIMUM CAPACITIES (Subject to change without notice. Tolerances: Dimensions ±2.5% Weight ±5%)

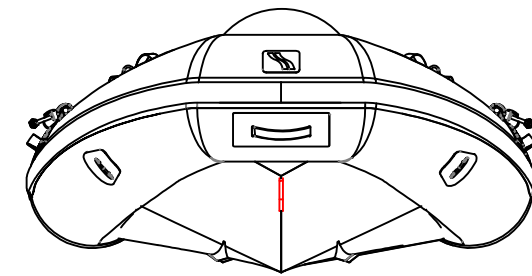
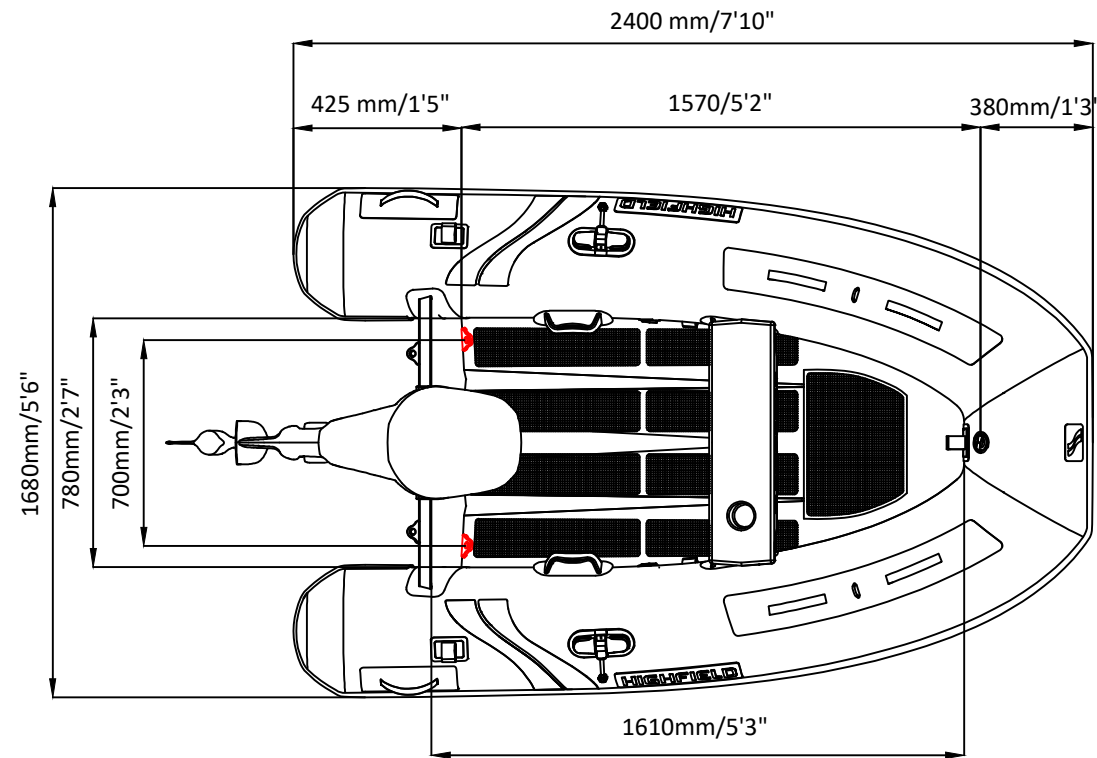
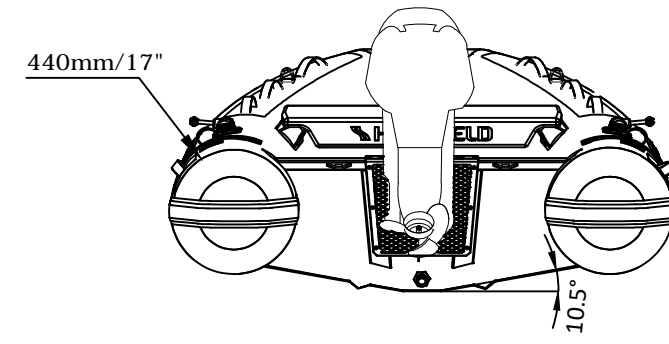
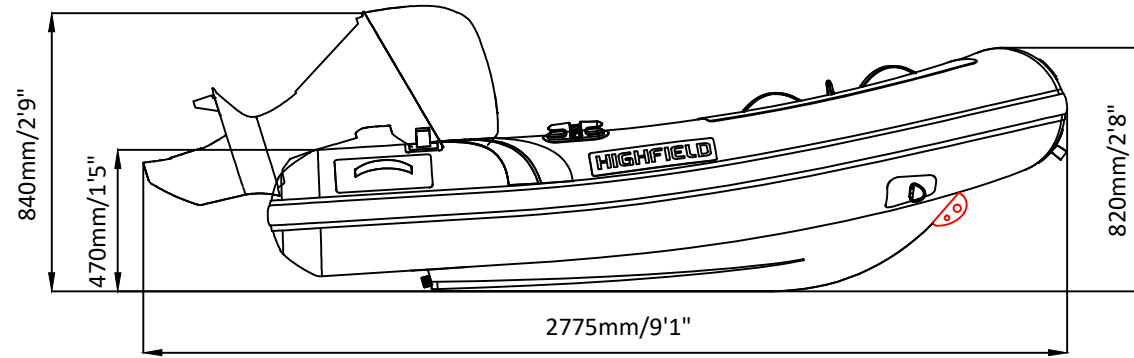
MODEL	ISO 6185 PART	ISO 6185	Passengers			Outboard Engine		Molded seat		Oars		Fuel tank Capacity		Wet Weight (Approximate) 6HP (4.48KW) +Fuel		AIR CHAMBERS											
			KG	LB	#	KG	LB	KG	LB	KG	LB	L	GAL	KG	LB	PSI	BAR										
			Max power		Max weight		KW	HP	KG	LB	/	/	/	/	KG	LB	/	/									
UL240	1	C	296	653	3	225													496	S	4.48	6	40.9	90	33	72	2.5

Weight: boat only.

2021V4

ULTRALITE 240LT

SPECIFICATIONS



SPECIFICATIONS AND MAXIMUM CAPACITIES (Subject to change without notice.Tolerances:Dimensions ±2.5% Weight ±5%)

MODEL	ISO 6185 PART	ISO 6185	Person		#	Person		Shaft	Outboard Engine		Molded seat		Oars		/		Fuel tank Capacity		Wet Weight (Approximate) 6HP (4.48KW) +Fuel		AIR CHAMBERS	Pressure					
			KG	LB		KG	LB		KG	LB	KG	LB	KG	LB	KG	LB	KG	LB	KG	LB		KG	LB	PSI	BAR		
UL240 LT	1	C	296	653	3	225	496	S	4.48	6	40.9	90	34	74	2.5	5.5	1.5	3.3	/	/	/	/	93.9	207	3	3.63	0.25

Weight: boat only.

2021V4