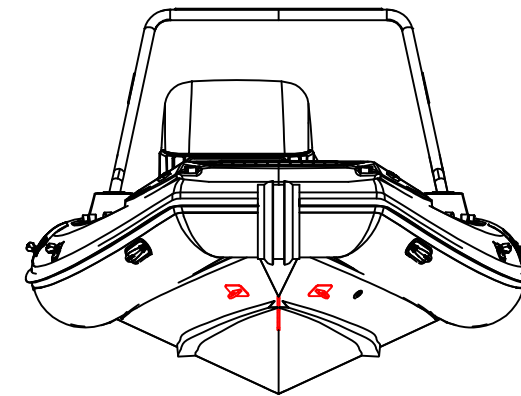
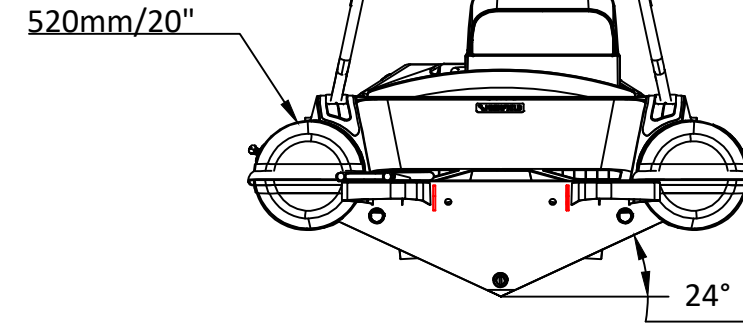
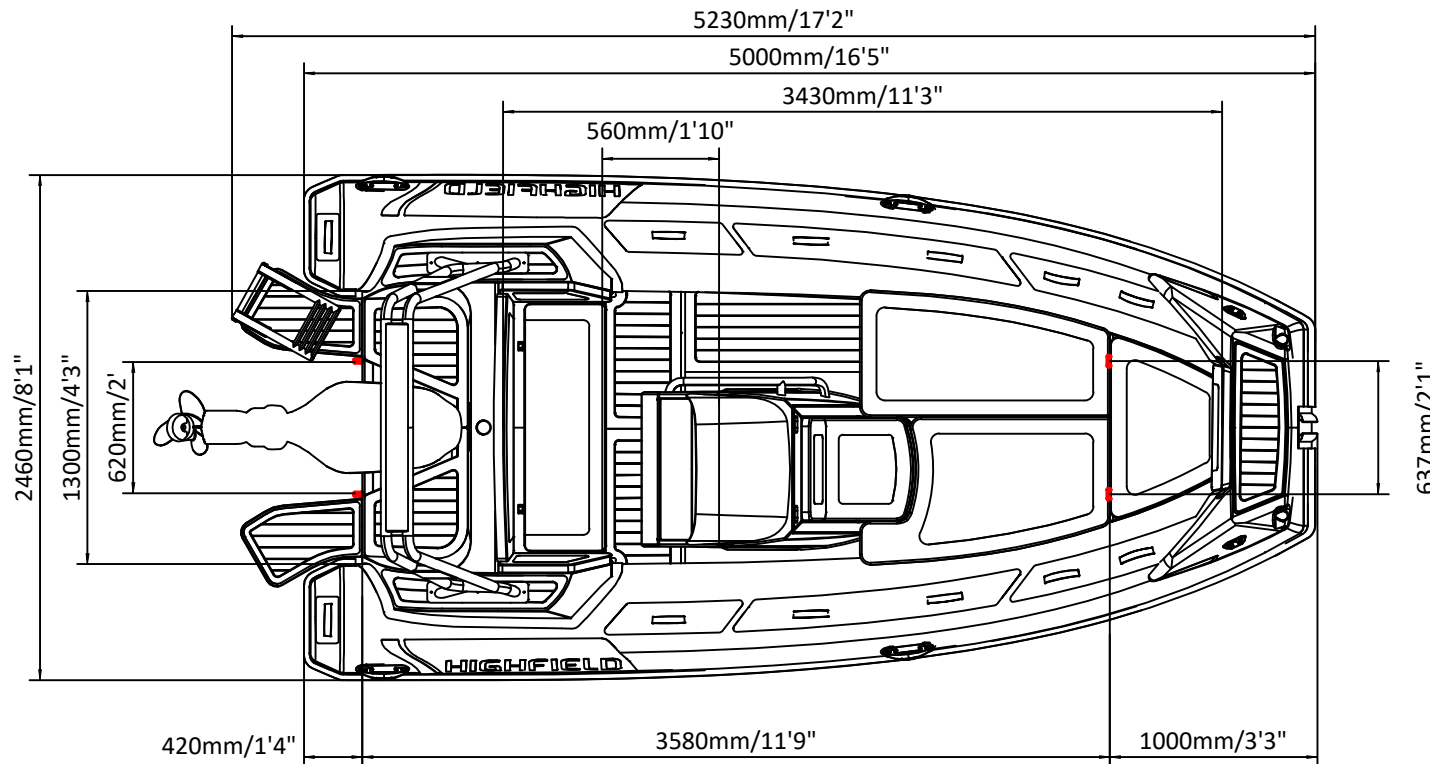
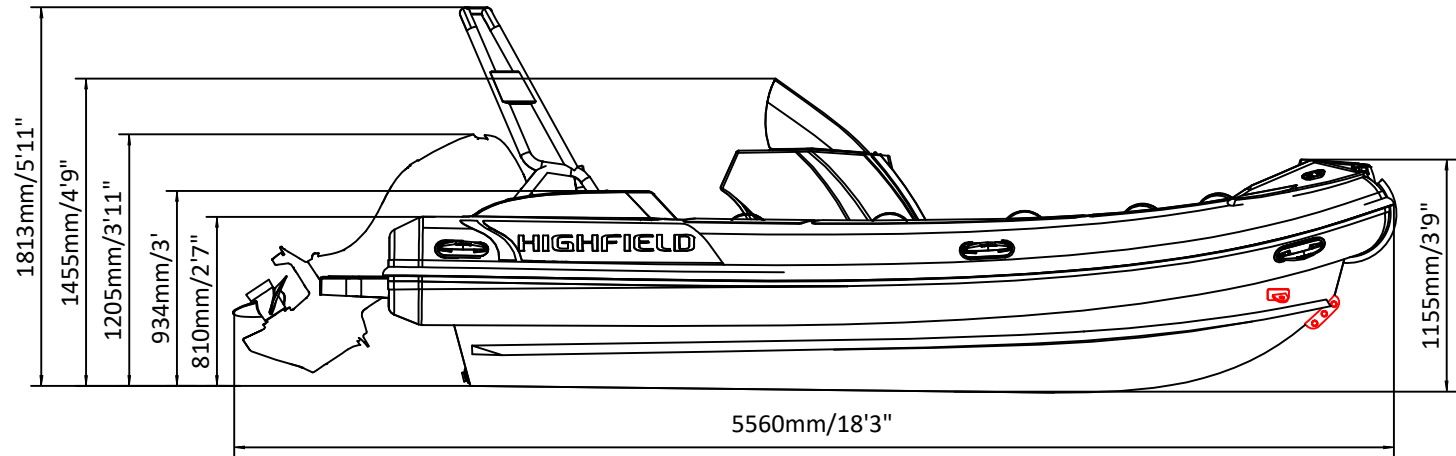


SPORT 520

SPECIFICATIONS



SPECIFICATIONS AND MAXIMUM CAPACITIES (Subject to change without notice. Tolerances: dimensions ±2.5%, weights ±5%)

MODEL	ISO 6185 PART	ISO 6185	Passengers		#	Weight		Shaft	Outboard Engine		Sundeck		Tow post		Rollbar		Fuel Tank Capacity		Wet Weight (Approximate) 100HP (74.6KW) +Fuel		AIR CHAMBERS	Pressure					
			KG	LB		KG	LB		KG	LB	KG	LB	KG	LB	L	GAL	KG	LB	PSI	BAR							
SPORT 520	3	C	1058	2332	10	750	1653	L	74.6	100	207.6	458	516	1136	17	37.5	12.5	27.6	17.5	38.6	105	27.7	802	1768	6	3.63	0.25

Boat weight includes: console

2021V3