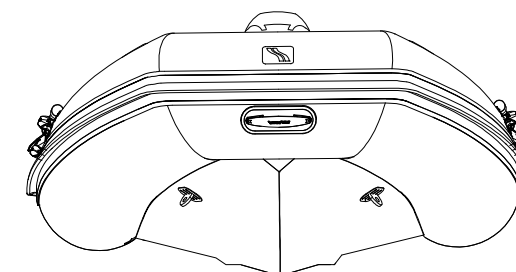
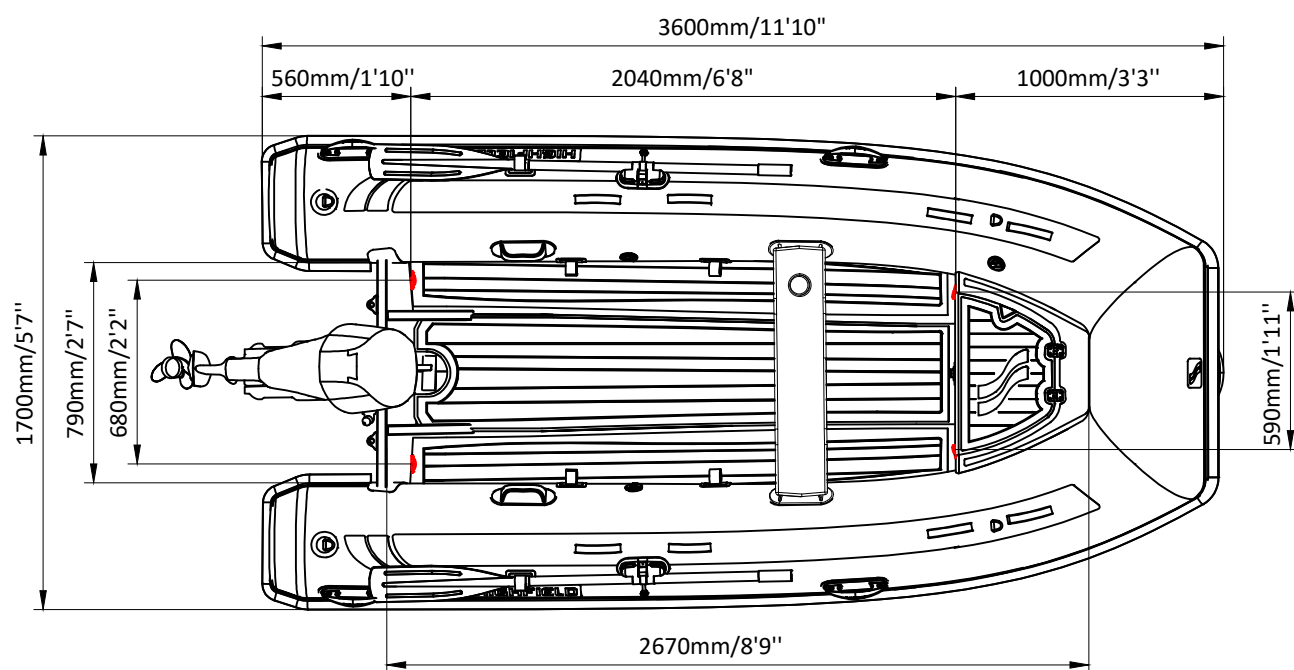
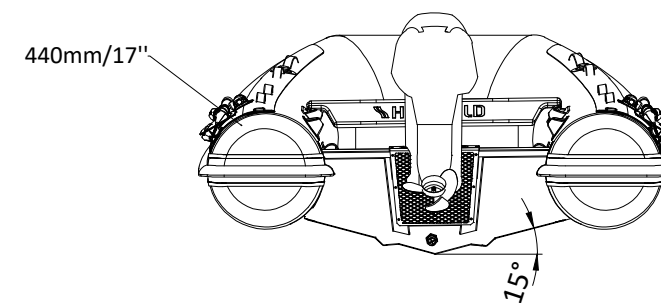
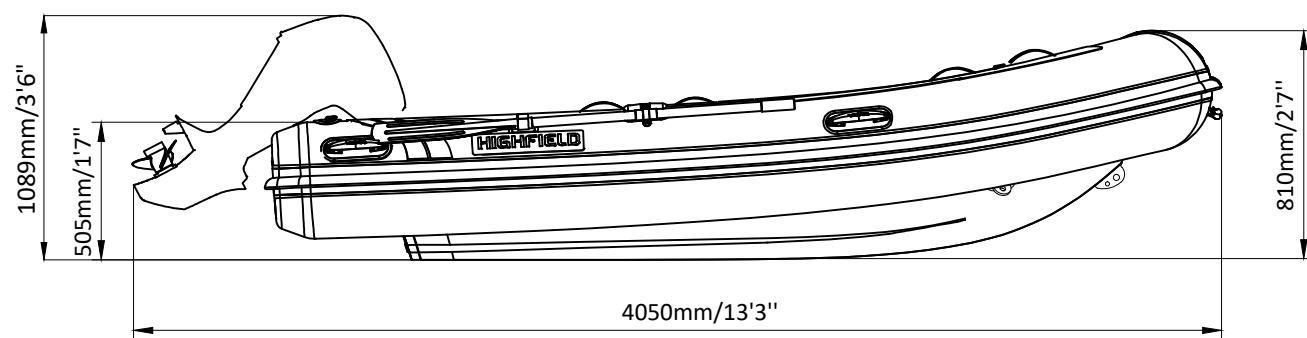


CLASSIC 360

SPECIFICATIONS



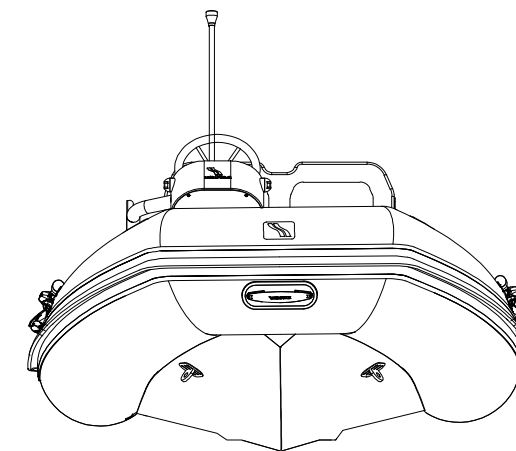
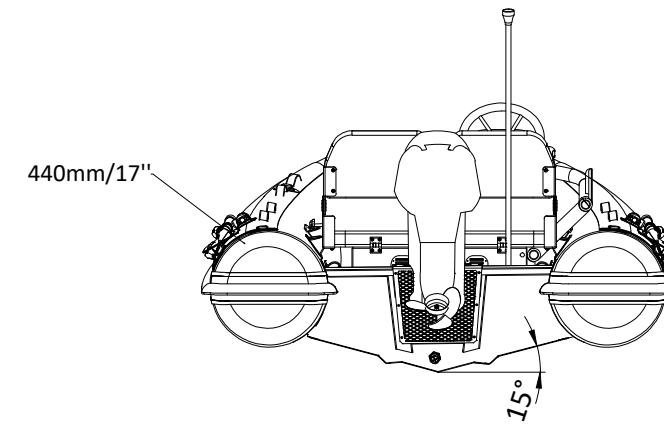
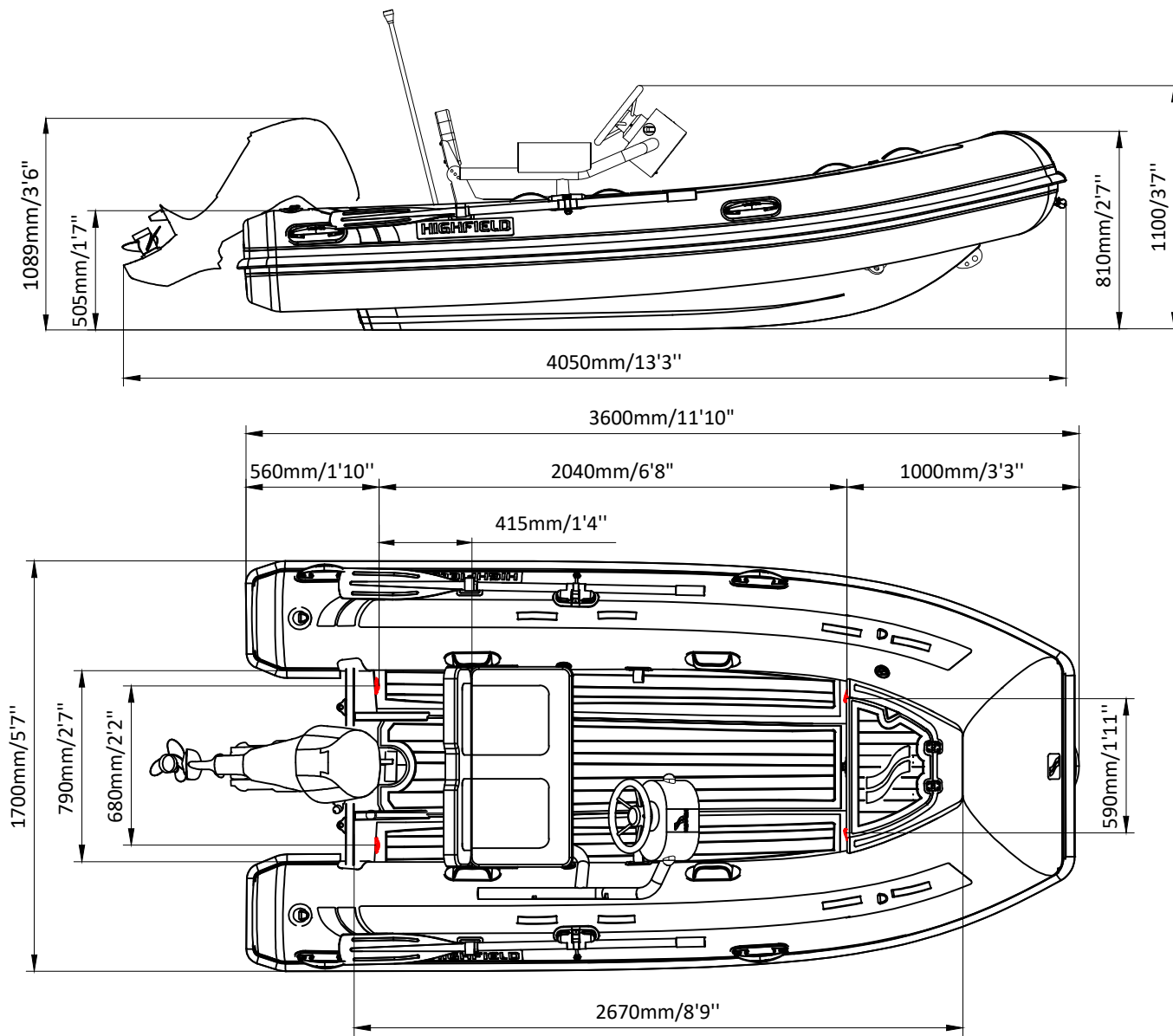
SPECIFICATIONS AND MAXIMUM CAPACITIES (Subject to change without notice. Tolerances: dimensions ±2.5%, weights ±5%)

MODEL	ISO 6185 PART	ISO 6185			#			 Outboard Engine	 Shaft		 Molded seat		Oars		/		Fuel tank Capacity		 Wet Weight (Approximate) 30HP (22.38KW)		AIR CHAMBERS 						
			KG	LB		KG	LB		KW	HP	KG	LB	KG	LB	KG	LB	L	GAL	KG	LB		PSI	BAR				
CL360	3	C	561	1237	6	450	992	S	22.38	30	124.1	274	75	165	3	6.6	1.5	3.3	/	/	/	/	204	450	3	3.63	0.25

Weight: boat only.

CLASSIC 360

SPECIFICATIONS



SPECIFICATIONS AND MAXIMUM CAPACITIES (Subject to change without notice. Tolerances: dimensions ±2.5%, weights ±5%)

MODEL	ISO 6185 PART	ISO 6185	Passengers		#	Weight		Shaft	Outboard Engine		Fuel Capacity		FCT	Molded seat		Oars		Fuel tank Capacity		Wet Weight (Approximate) 30HP (22.38KW)		AIR CHAMBERS	Pressure				
			KG	LB		KG	LB		KG	LB	KG	LB		KG	LB	L	GAL	KG	LB	PSI	BAR						
CL360	3	C	561	1237	6	450	992	S	22.38	30	124.1	274	75	165	36	79	3	6.6	1.5	3.3	/	/	240	529	3	3.63	0.25

Weight: boat only.