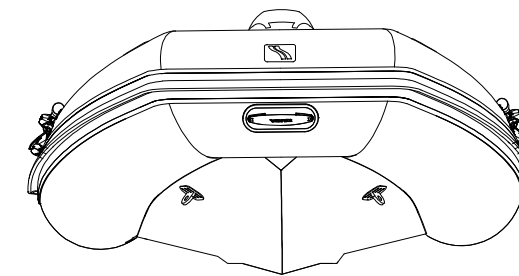
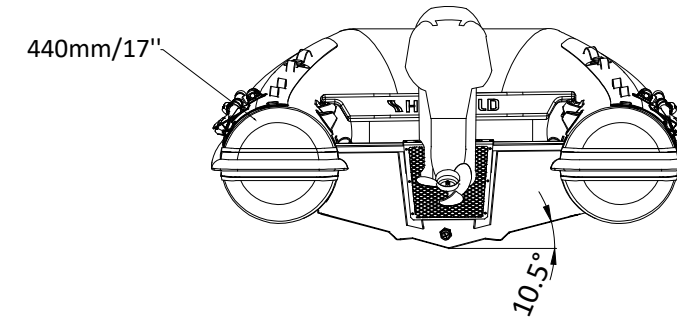
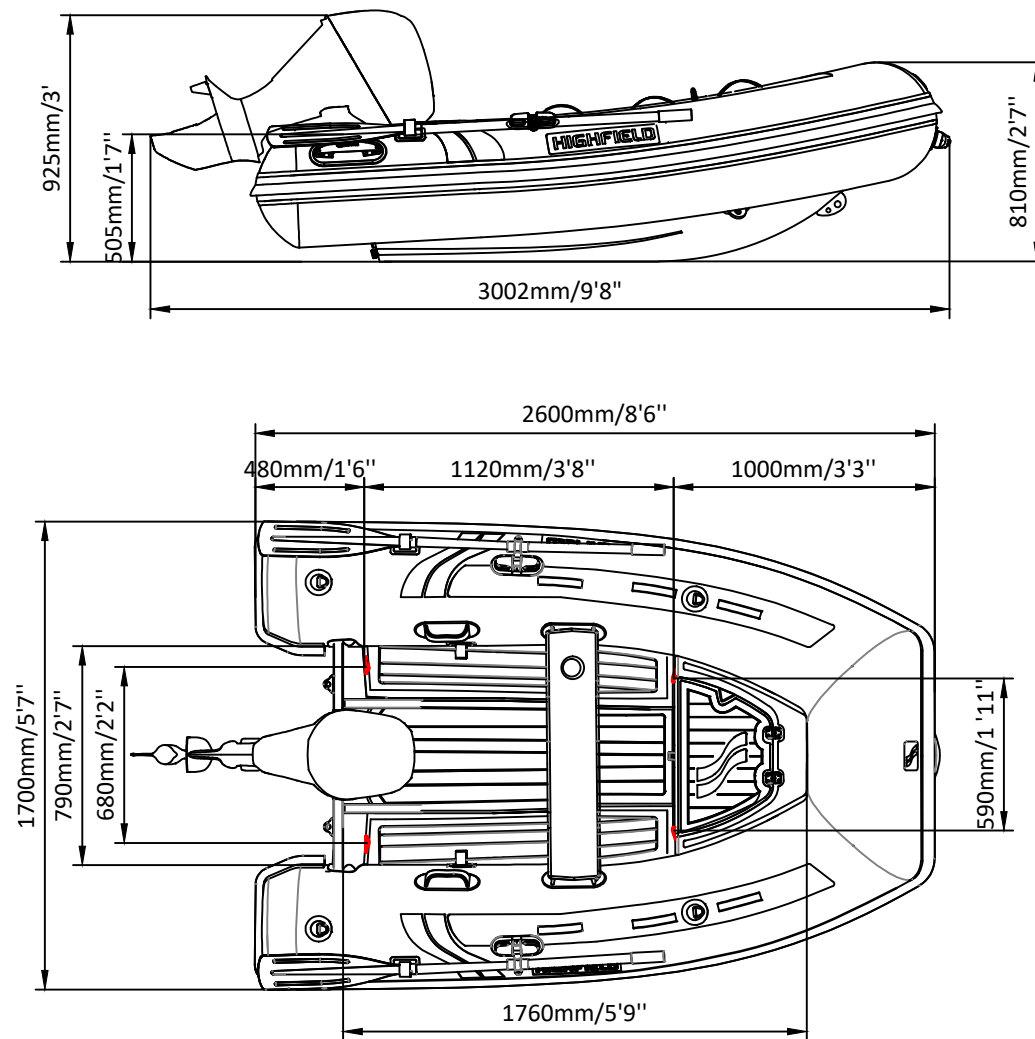


# CLASSIC 260

# SPECIFICATIONS



SPECIFICATIONS AND MAXIMUM CAPACITIES (Subject to change without notice. Tolerances: Dimensions ±2.5% Weight ±5%)

MODEL	ISO 6185 PART	ISO 6185			#			 Outboard Engine	 Shaft	 Max power		 Max weight		 KG	 LB	 Oars		 Fuel tank Capacity		 Wet Weight (Approximate) 15HP (11.19KW)		 AIR CHAMBERS	 PSI BAR				
			KG	LB		KG	LB			KW	HP	KG	LB			KG	LB	L	GAL	KG	LB		PSI	BAR			
CL260	2	C	360	794	3+1	263	579	S	11.19	15	60	132	54	119	3	6.6	1.5	3.3	/	/	/	/	118	262	3	3.63	0.25

Weight: boat only.

2021V5