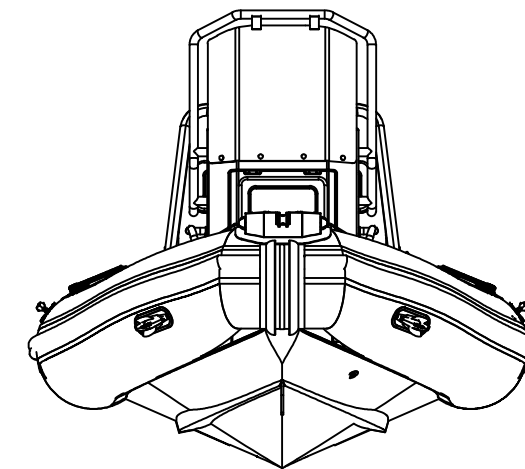
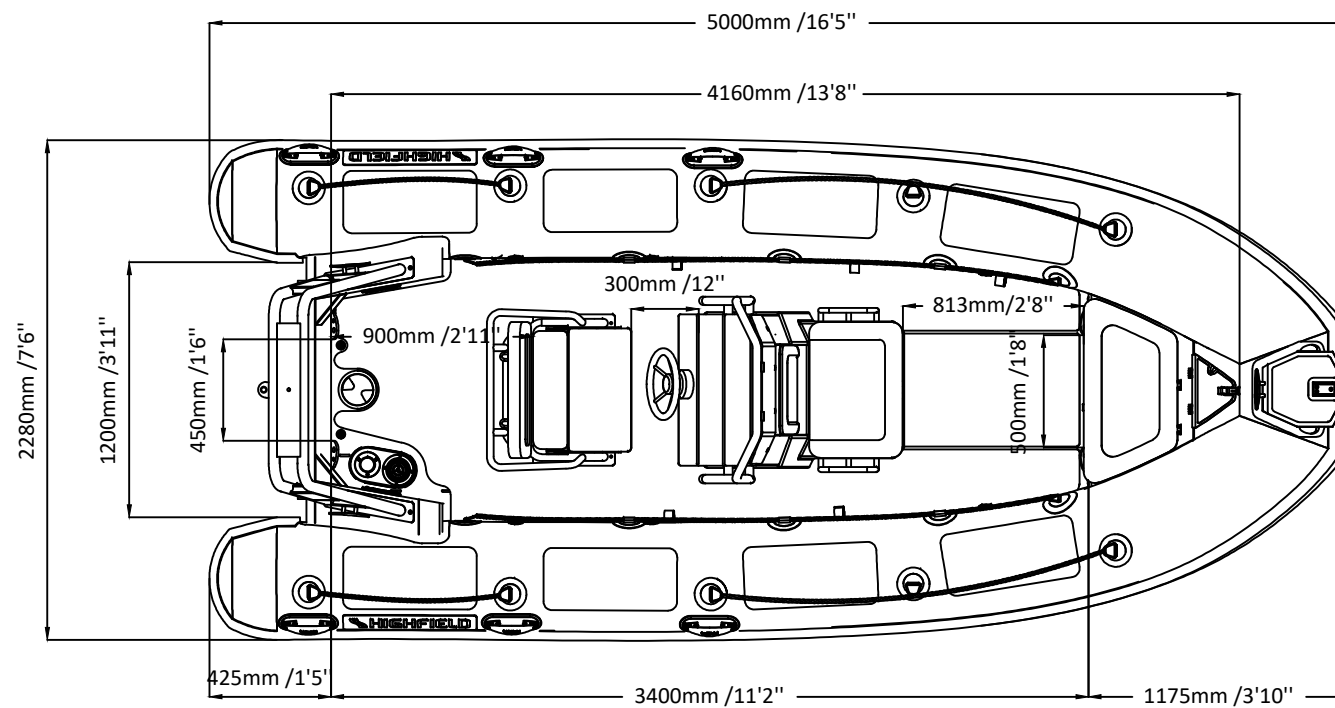
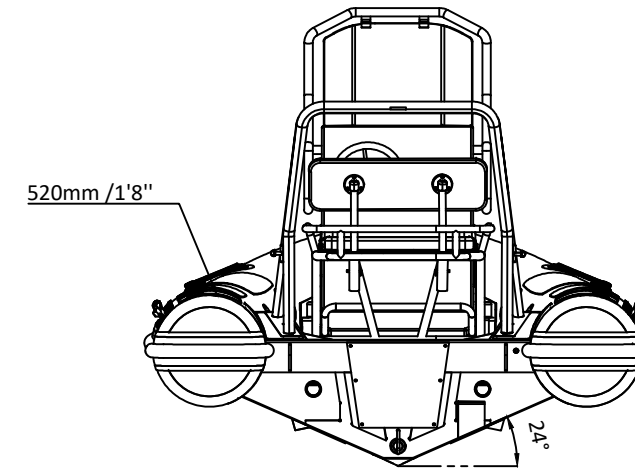
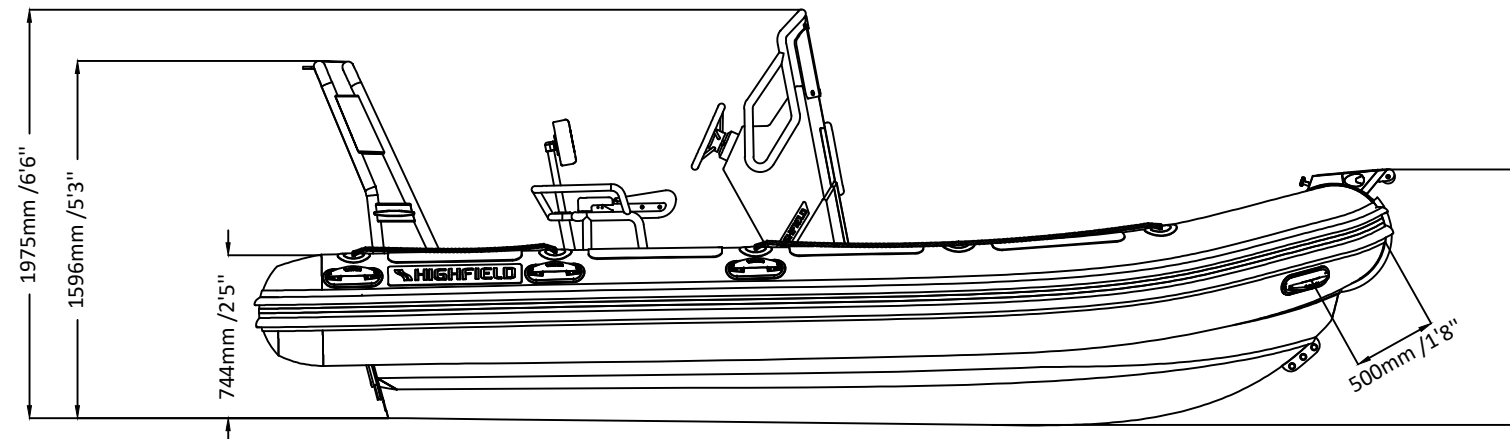


PATROL 500

SPECIFICATIONS



SPECIFICATIONS AND MAXIMUM CAPACITIES (Subject to change without notice. Tolerances: dimensions ±2.5%, weights ±5%)

MODEL	ISO 6185 PART	ISO 6185	Passengers		#	Weight		Shaft	Outboard Engine		Sundeck		Fuel tank Capacity		Tow post		Rollbar		Wet Weight (Approximate) 100HP (74.6KW) +Fuel		AIR CHAMBERS	Pressure					
			KG	LB		KG	LB		KG	LB	KG	LB	KG	LB	KG	LB	KG	LB	KG	LB		PSI	BAR				
PA500	3	C	1051	2317	10	750	1653	L	74.60	100	207.6	458	441	972	/	/	90	23.8	/	/	14.2	31.3	713.85	1574	6	3.63	0.25

Boat weight includes: console, seat, rollbar