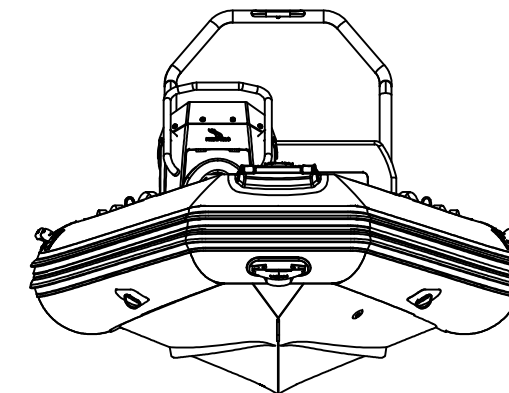
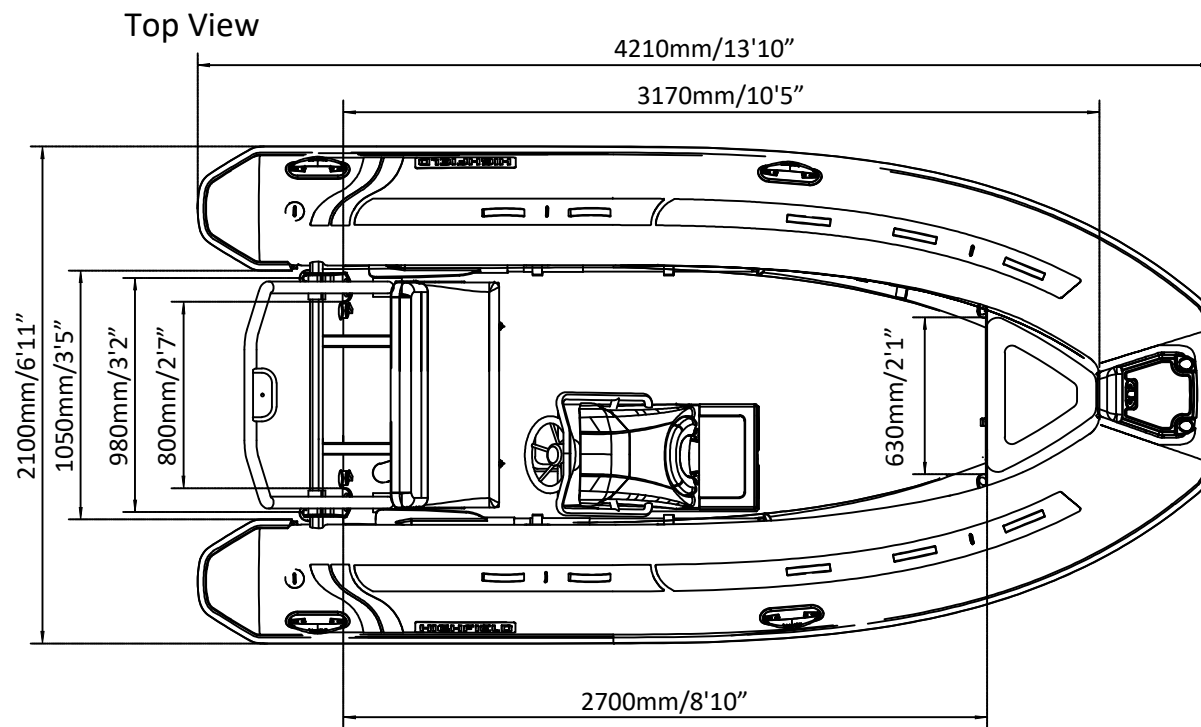
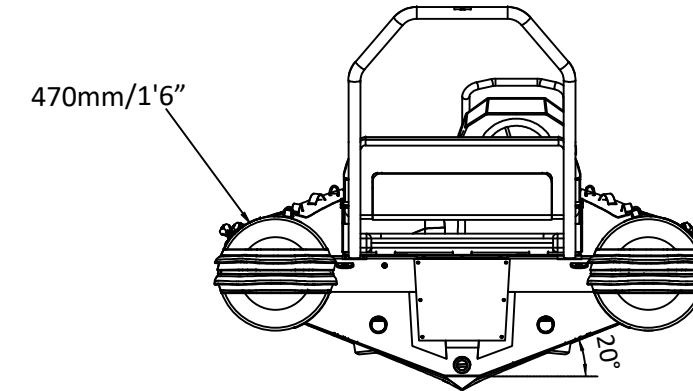
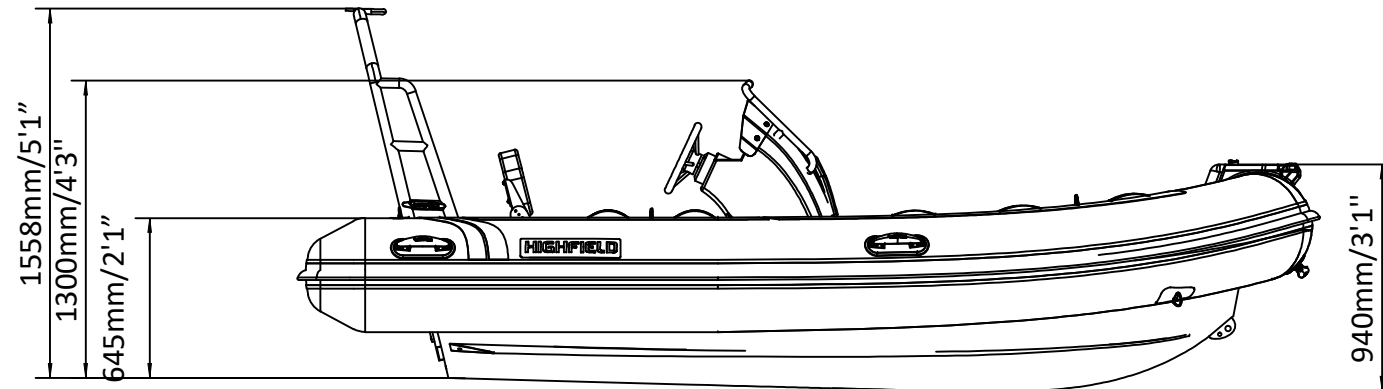


# Classic 420

# SPECIFICATIONS



SPECIFICATIONS AND MAXIMUM CAPACITIES (Subject to change without notice. Tolerances: dimensions ±2.5%, weights ±5%)

MODEL	ISO 6185 PART	ISO 6185			#			Shaft	Outboard Engine				Sundeck		Tow post		Fuel tank Capacity		Rollbar		Wet Weight (Approximate) 60HP (44.76KW) +Fuel		AIR CHAMBERS				
			KG	LB		KG	LB		Max power	Max weight	KG	LB	KG	LB	KG	LB	L	GAL	KG	LB	KG	LB		PSI	BAR		
									KW	HP	KG	LB															
CL420	3	C	823	1814	8	600	1323	L	44.76	60	161.7	356	262	578	/	/	/	/	40	10.6	11.36	25	397.7	876.7	4	3.63	0.25

Boat weight includes: console ,seat ,rollbar