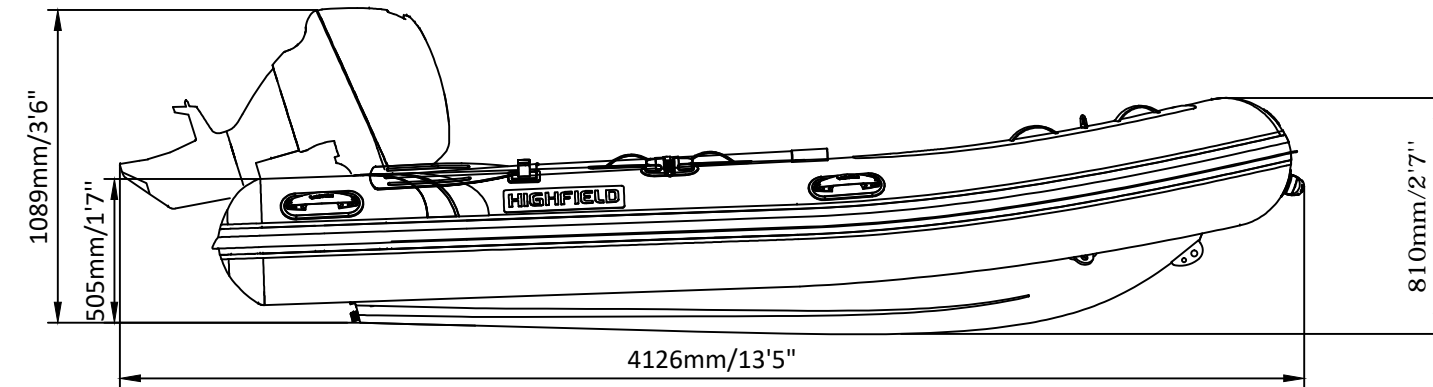
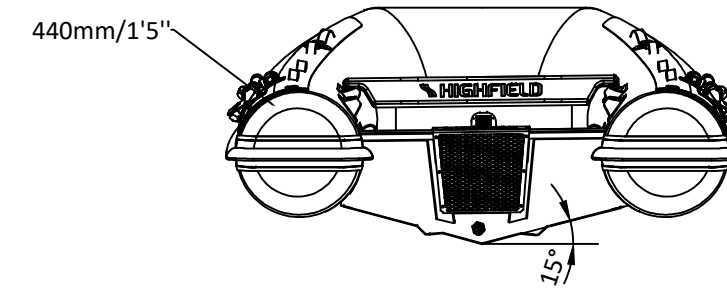


# CLASSIC 380

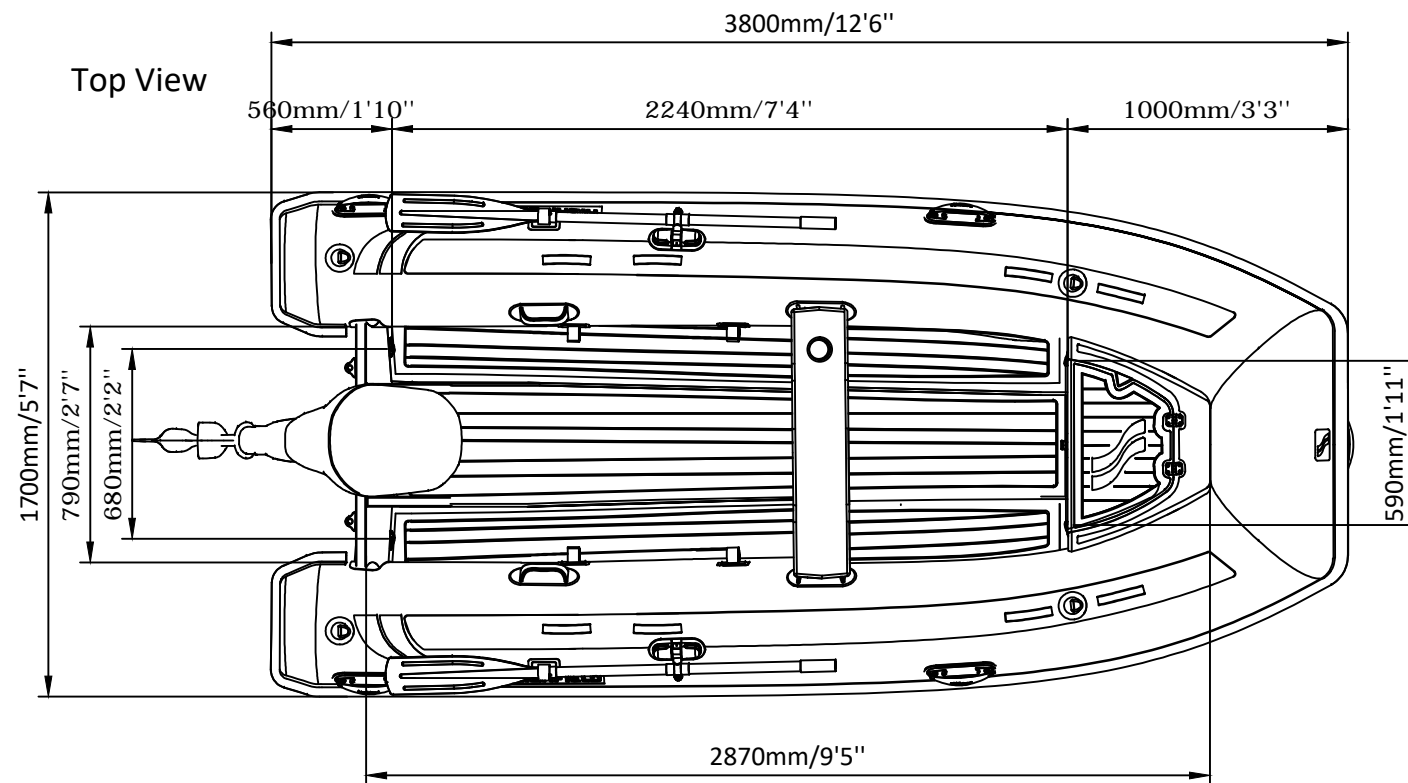
# SPECIFICATIONS



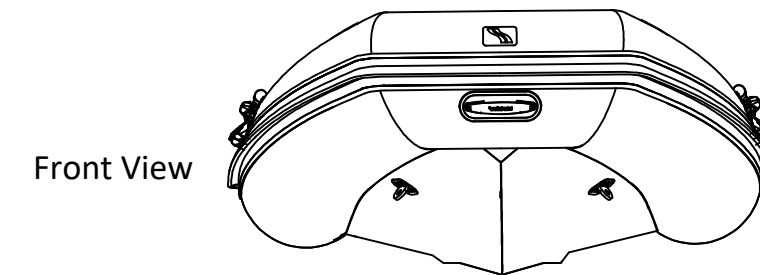
Side View



Rear View



Top View



Front View

SPECIFICATIONS AND MAXIMUM CAPACITIES (Subject to change without notice. Tolerances: Dimensions ±2.5% Weight ±5%)

MODEL	ISO 6185 PART	ISO 6185			#			Shaft	Outboard Engine		Molded seat		Oar		Fuel tank Capacity		Rollbar		Wet Weight (Approximate) 10HP (7.46KW)		AIR CHAMBERS						
			KG	LB		KG	LB		Max power	Max weight	KG	LB	KG	LB	KG	LB	KG	LB	KG	LB		KG	LB	PSI	BAR		
									KW	HP	KG	LB															
CL380	3	C	637	1404	7	525	1157	S	22.38	30	124.1	274	83	183	3	6.6	2	4.4	/	/	/	/	207.1	457	3	3.63	0.25

Weight: Boat only, not including molded seat, oars and other accessories.