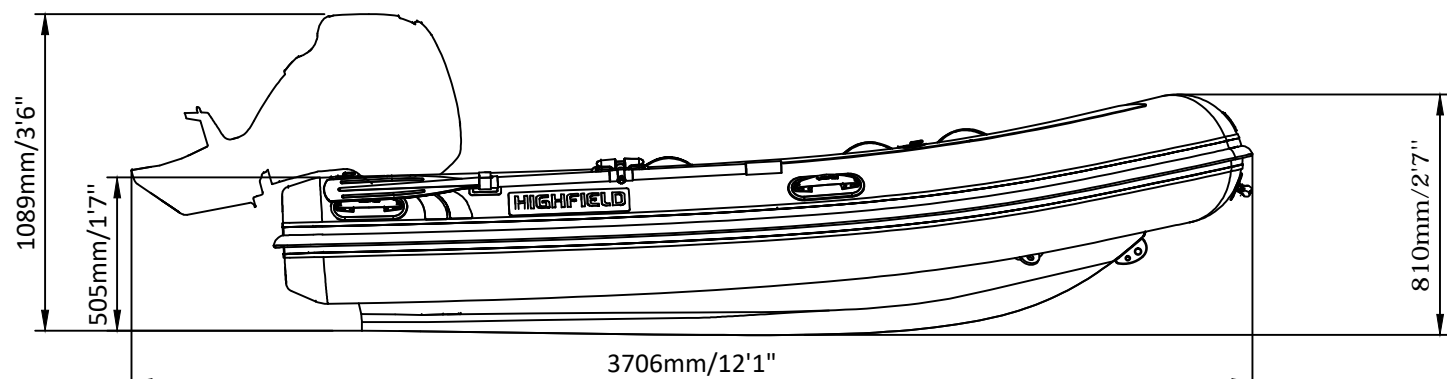
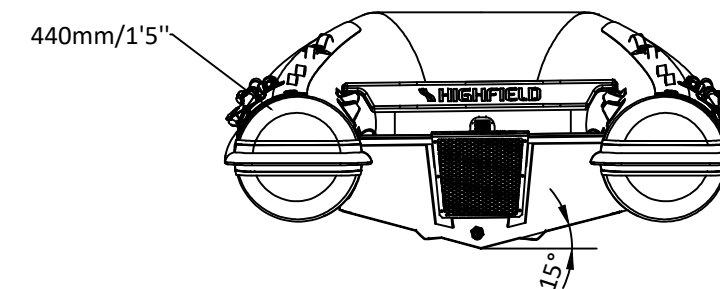


CLASSIC 340

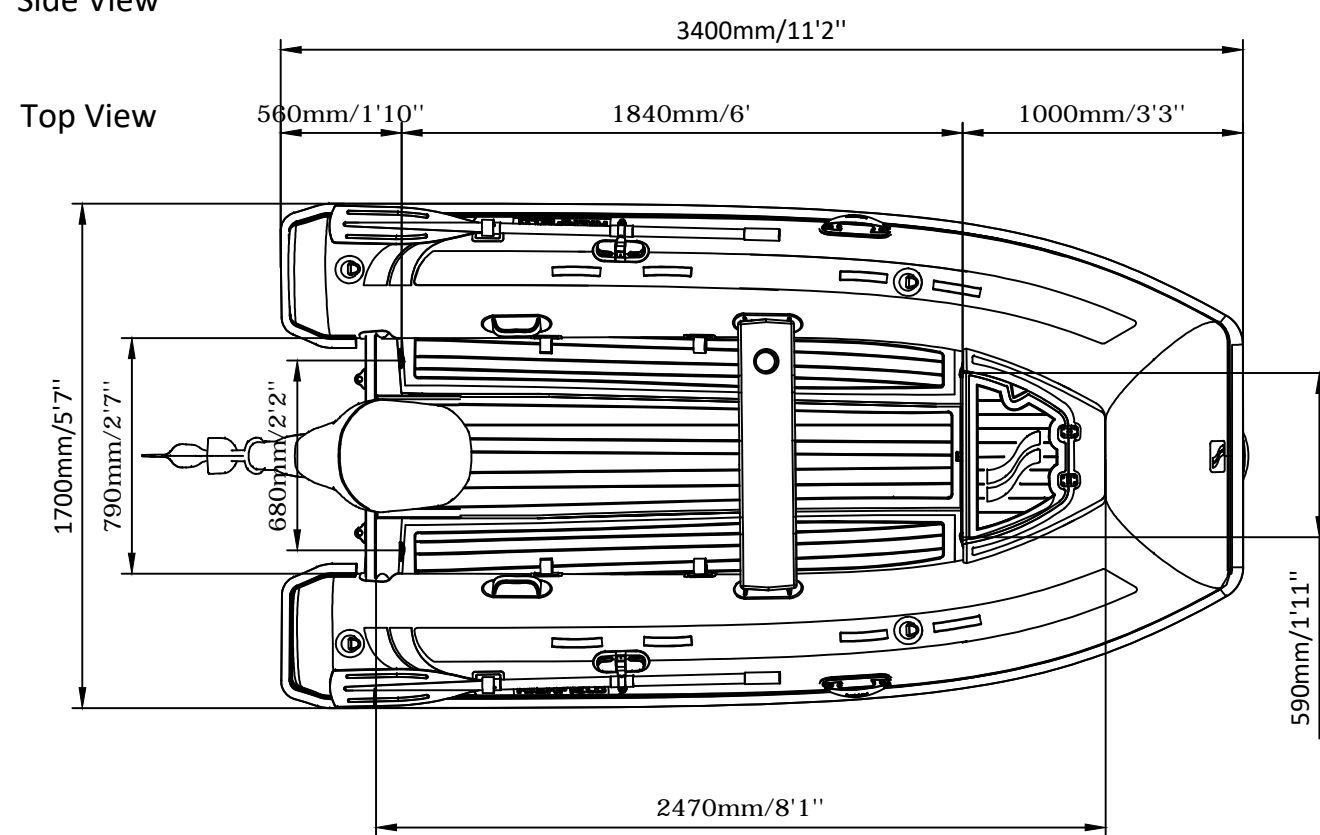
SPECIFICATIONS



Side View

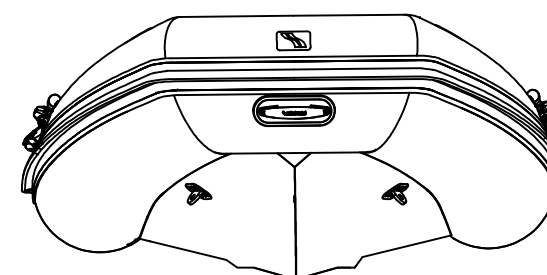


Rear View



Top View

Front View



SPECIFICATIONS AND MAXIMUM CAPACITIES (Subject to change without notice. Tolerances: Dimensions ±2.5% Weight ±5%)

MODEL	ISO 6185 PART	ISO 6185	Occupants		#	Weight		Shaft	Outboard Engine		Molded seat		Oar		Fuel tank Capacity		Rollbar		Wet Weight (Approximate) 25HP (18.65KW)		AIR CHAMBERS	Pressure					
			KG	LB		KG	LB		KG	LB	KG	LB	KG	LB	KG	LB	KG	LB	KG	LB		PSI	BAR				
CL340	3	C	551	1215	6	450	992	S	18.65	25	104.5	230	71	156	3	6.6	2	4.4	/	/	/	/	175.5	386	3	3.63	0.25

Weight: Boat only, not including molded seat, oars and other accessories.