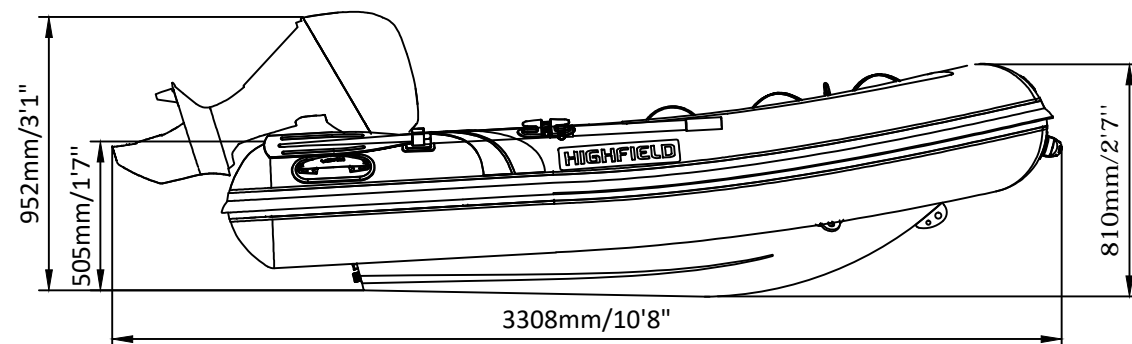
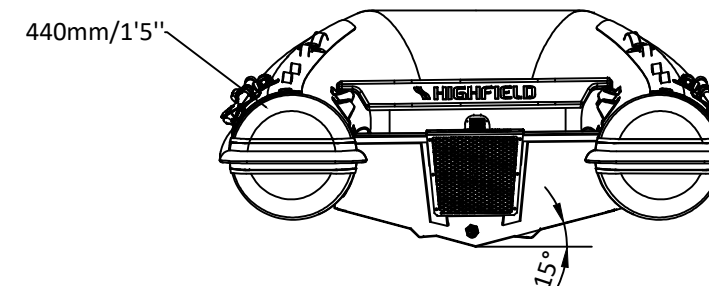


CLASSIC 290

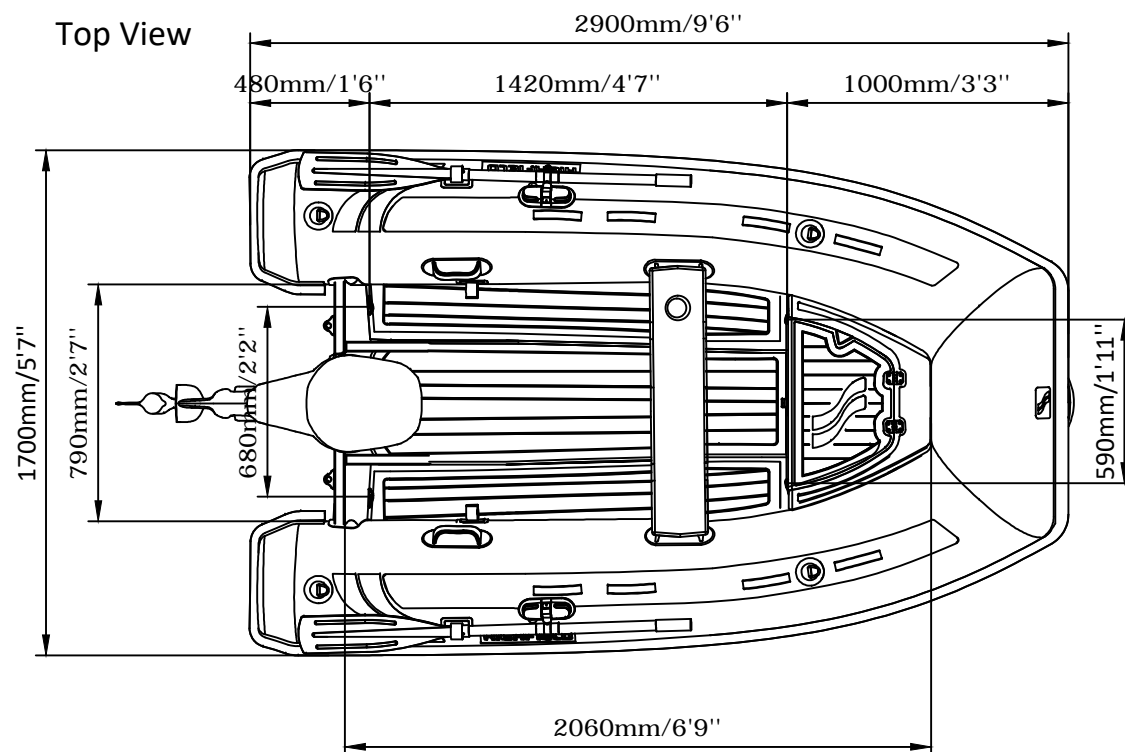
SPECIFICATIONS



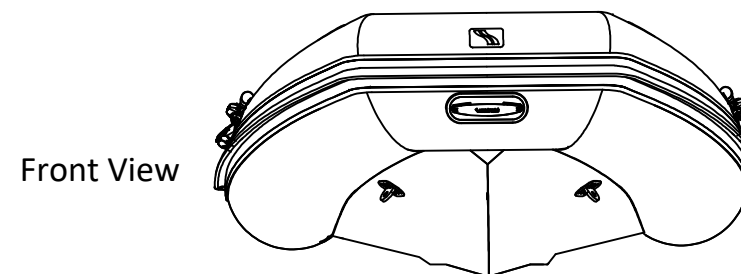
Side View



Rear View



Top View



Front View

SPECIFICATIONS AND MAXIMUM CAPACITIES (Subject to change without notice. Tolerances: Dimensions ±2.5% Weight ±5%)

MODEL	ISO 6185 PART	ISO 6185	Crew		#	Weight		Shaft	Outboard Engine		Molded seat		Oar		Fuel tank Capacity		Rollbar		Wet Weight (Approximate) 20HP (14.92KW)		AIR CHAMBERS	Pressure					
			KG	LB		KG	LB		KG	LB	KG	LB	KG	LB	KG	LB	KG	LB	KG	LB		KG	LB	PSI	BAR		
CL290	2	C	480	1058	4	300	661	S	14.92	20	104.5	230	59	130	3	6.6	2	4.4	/	/	/	/	163.5	360	3	3.63	0.25

Weight: Boat only, not including molded seat, oars and other accessories.