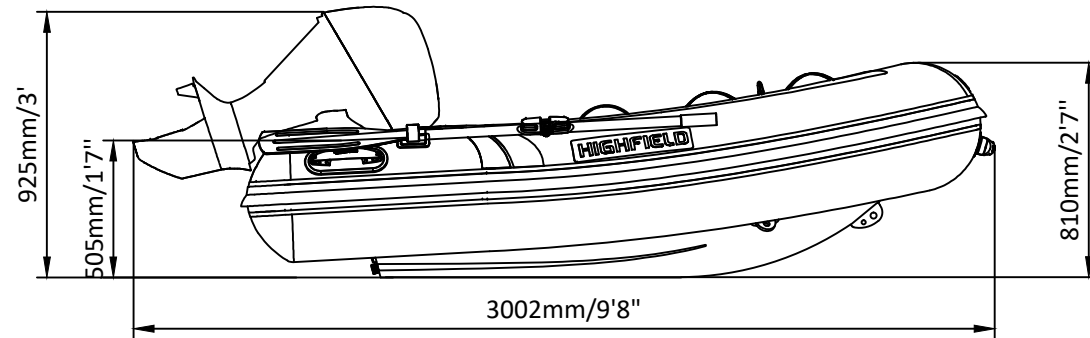
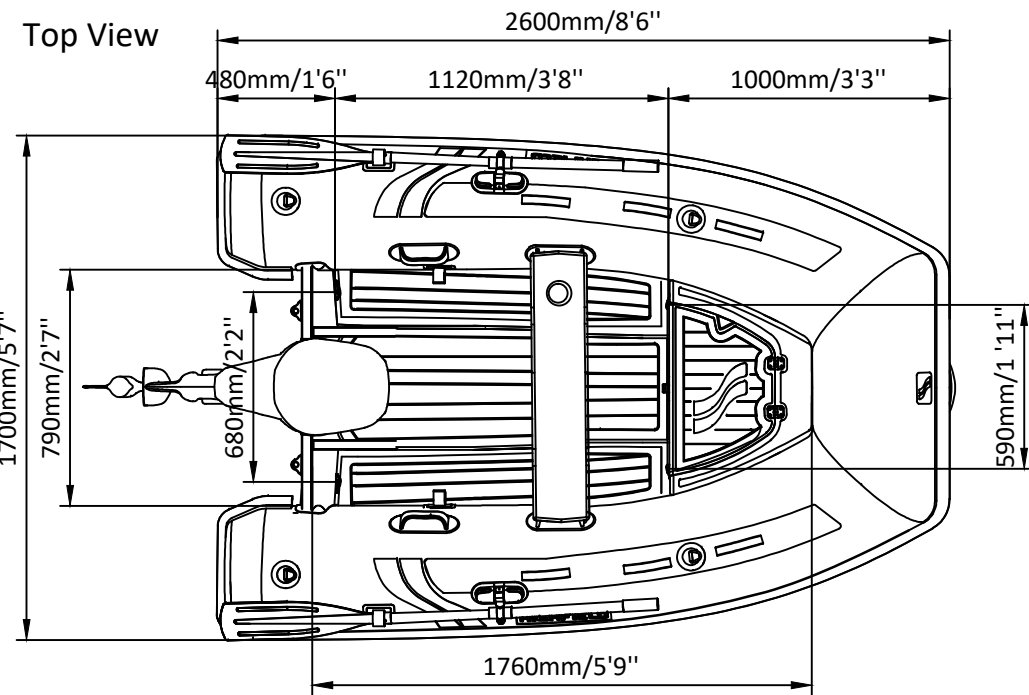


CLASSIC 260

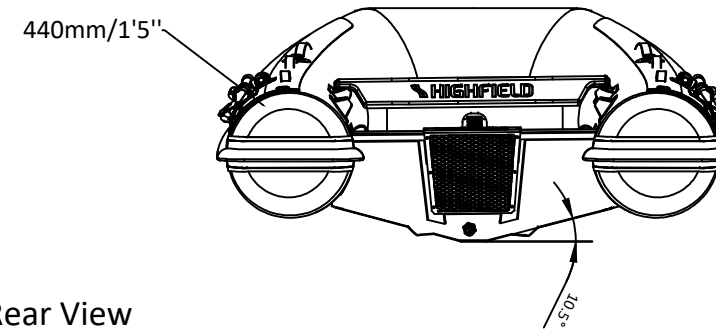
SPECIFICATIONS



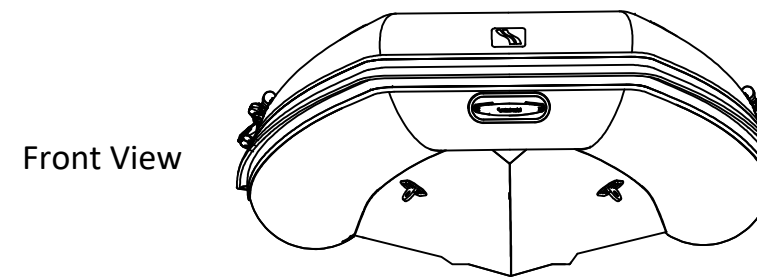
Side View



Top View



Rear View



Front View

SPECIFICATIONS AND MAXIMUM CAPACITIES (Subject to change without notice. Tolerances: Dimensions ±2.5% Weight ±5%)

MODEL	ISO 6185 PART	ISO 6185					Outboard Engine				Molded seat		Oar		Fuel tank Capacity		Rollbar		Wet Weight (Approximate) 15HP (11.19KW)		AIR CHAMBERS						
			KG	LB	#	KG	LB	Shaft	Max power		Max weight		KG	LB	KG	LB	KG	LB	KG	LB		KG	LB	PSI	BAR		
									KW	HP	KG	LB	L	GAL	KG	LB	KG	LB	KG	LB							
CL260	2	C	360	794	3+1	225	496	S	11.19	15	60	132	54	119	2.5	5.5	2	4.4	/	/	/	/	114	251	3	3.63	0.25

Weight: Boat only, not including molded seat, oars and other accessories.