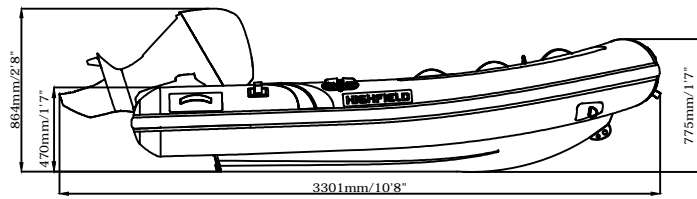
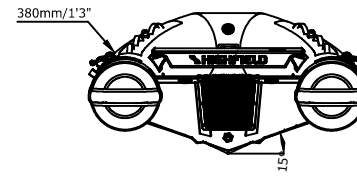


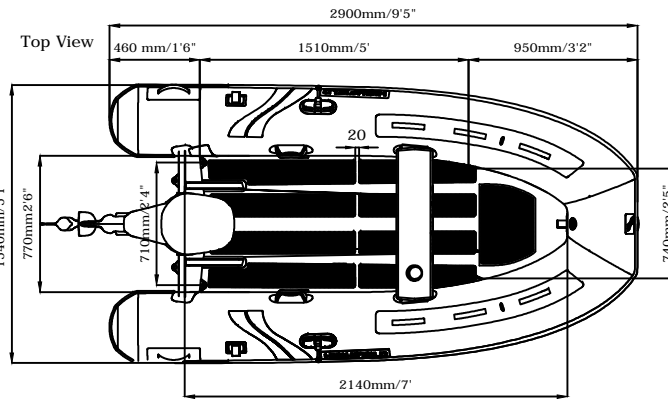
ULTRALITE 290 SPECIFICATIONS



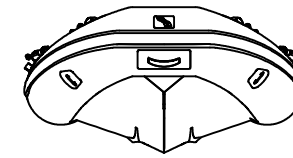
Side View



Rear View



Top View



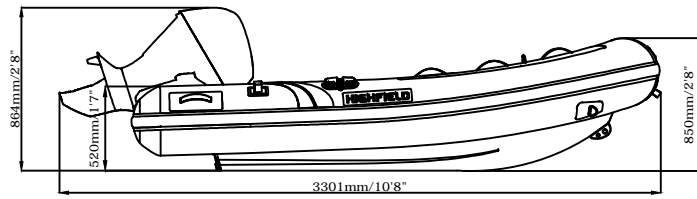
Front View

SPECIFICATIONS AND MAXIMUM CAPACITIES (Subject to change without notice. Tolerances: Dimensions +/-3% Weight +/-5%)

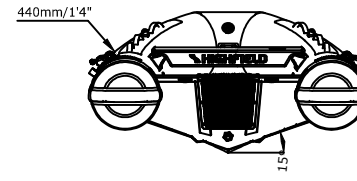
MODEL	ISO 6185 PART	ISO 6185	Persons		Length		Maximum Speed						Wet Weight (Approximate) 10HP (7.46KW) +Fuel		AIR CHAMBERS		PSI BAR							
			KG	LB	#	KG	LB	Maximum	Recommended	Maximum Speed	KT	MPH	Km/h	KG	LB	PSI	BAR							
UL290	2	C	375	827	4	300	661	5	60	132	7.46	10	7.46	10	/	/	/	39	86	106.3	234	3	3.63	0.25

Weight: Boat only, not including molded seat, oars and other accessories.

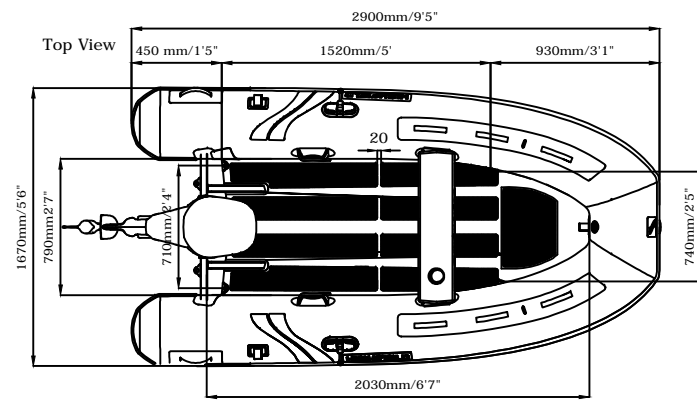
ULTRALITE 290LT SPECIFICATIONS



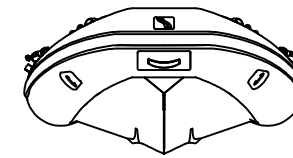
Side View



Rear View



Top View



Front View

SPECIFICATIONS AND MAXIMUM CAPACITIES (Subject to change without notice. Tolerances: Dimensions +/-3% Weight +/-5%)

MODEL	ISO 6185 PART	ISO 6185	Persons		Length		Maximum Speed						Wet Weight (Approximate) 10HP (7.46KW) +Fuel		AIR CHAMBERS		PSI BAR							
			KG	LB	#	KG	LB	Maximum	Recommended	Maximum Speed	KT	MPH	Km/h	KG	LB	PSI	BAR							
UL290LT	2	C	375	827	4	300	661	5	60	132	7.46	10	7.46	10	/	/	/	50	110	117.3	259	3	3.63	0.25

Weight: Boat only, not including molded seat, oars and other accessories.