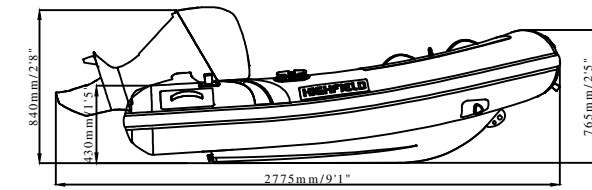
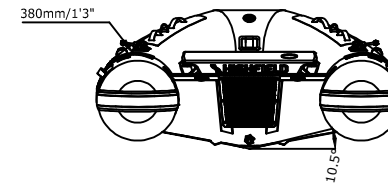


ULTRALITE 240

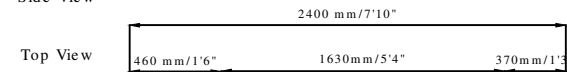
SPECIFICATIONS



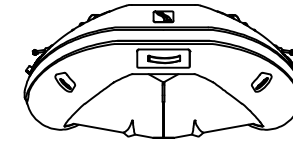
Side View



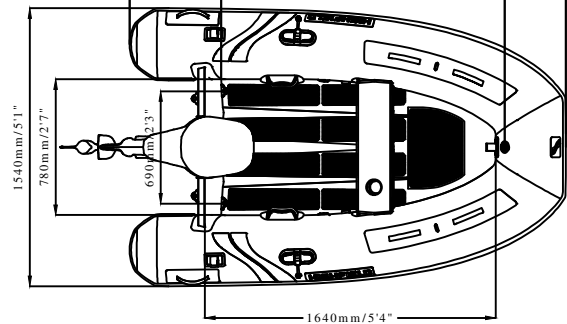
Rear View



Top View



Front View



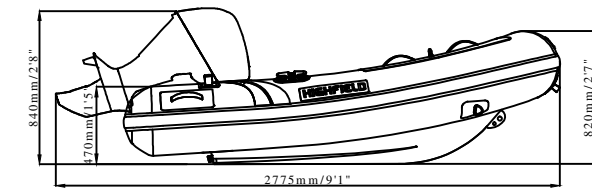
SPECIFICATIONS AND MAXIMUM CAPACITIES (Subject to change without notice. Tolerances: Dimensions +/-3% Weight +/-5%)

MODEL	ISO 6183 PART	ISO 5819 OS1	Person		Length	Weight		Maximum Speed						Wet Weight (Approximate) 5HP (3.73 KW) + Fuel		AIR CHAMBERS		PSI BAR						
			KG	LB		#	KG	LB	Maximum		Recommended		Maximum Speed		KG	LB	KG	LB	PSI	BAR				
									KW	HP	KW	HP	KT	MPH							Km/h			
UL240	/	/	290	639	3	225	496	S	40.9	90	4	6	3.73	5	/	/	/	30	66	78.2	172	3	3.63	0.25

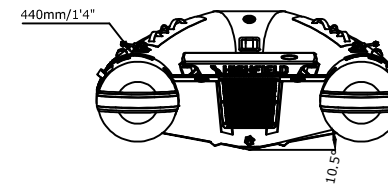
Weight: Boat only, not including molded seat, oars and other accessories.

ULTRALITE 240LT

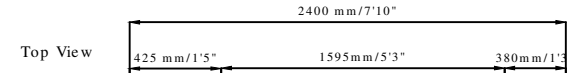
SPECIFICATIONS



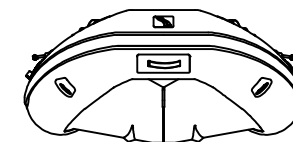
Side View



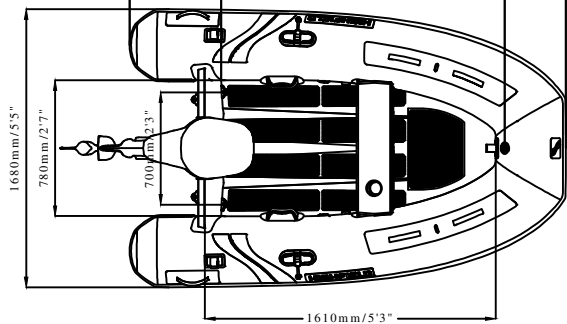
Rear View



Top View



Front View



SPECIFICATIONS AND MAXIMUM CAPACITIES (Subject to change without notice. Tolerances: Dimensions +/-3% Weight +/-5%)

MODEL	ISO 6183 PART	ISO 5819 OS1	Person		Length	Weight		Maximum Speed						Wet Weight (Approximate) 5HP (3.73 KW) + Fuel		AIR CHAMBERS		PSI BAR						
			KG	LB		#	KG	LB	Maximum		Recommended		Maximum Speed		KG	LB	KG	LB	PSI	BAR				
									KW	HP	KW	HP	KT	MPH							Km/h			
UL240LT	/	/	290	639	3	225	496	S	40.9	90	4	6	3.73	5	/	/	/	40	88	88.2	194	3	3.63	0.25

Weight: Boat only, not including molded seat, oars and other accessories.