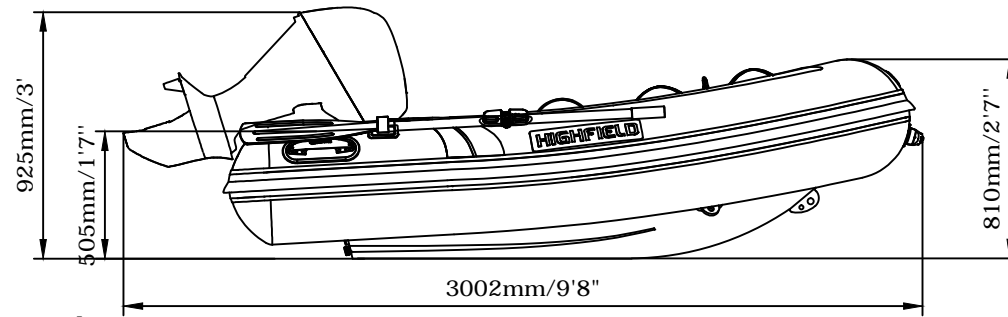
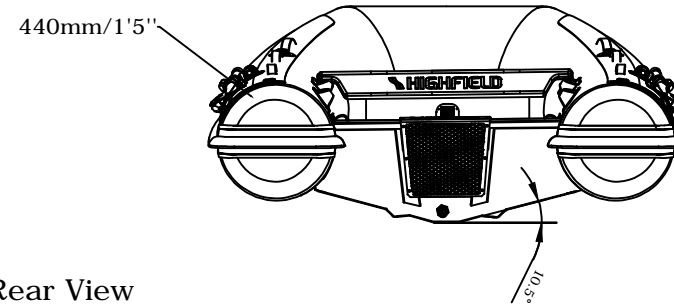


# CLASSIC 260

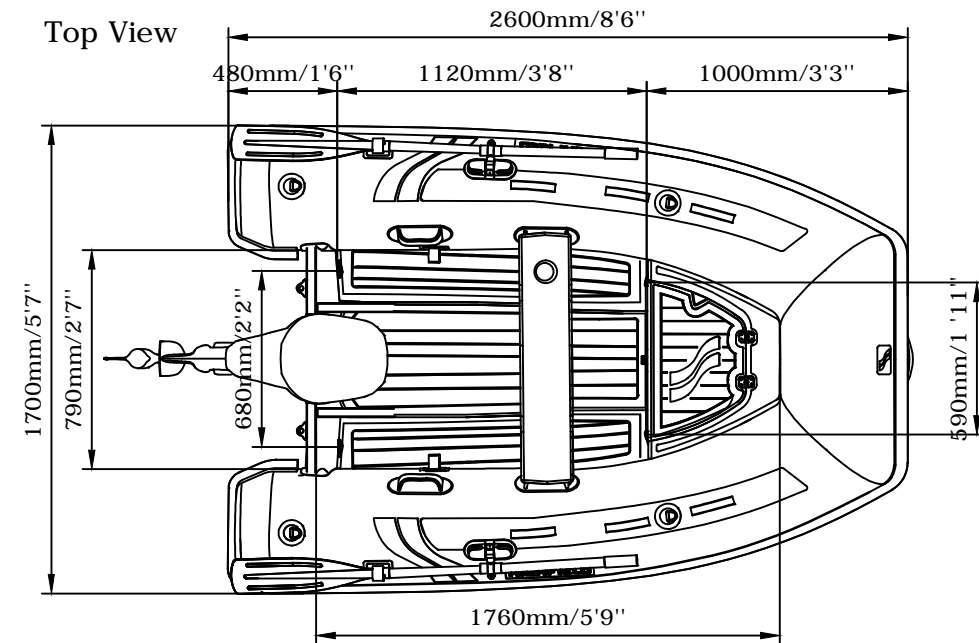
# SPECIFICATIONS



Side View

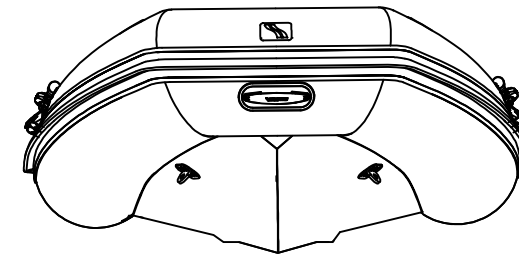


Rear View



Top View

Front View



SPECIFICATIONS AND MAXIMUM CAPACITIES (Subject to change without notice. Tolerances: Dimensions +/-3% Weight +/-5%)

MODEL	ISO 6185 PART	ISO 6185																		AIR CHAMBERS				
			KG	LB	#	KG	LB	Length	KG	LB	Maximum		Recommended			Maximum Speed			KG		LB	Wet Weight (Approximate) 10HP (7.46KW) + Fuel	PSI	BAR
CL260	2	C	360	794	3+1	225	496	S	60	132	11.19	15	7.46	10	/	/	/	54	119	114	251	3	3.63	0.25

Weight: Boat only, not including molded seat, oars and other accessories.