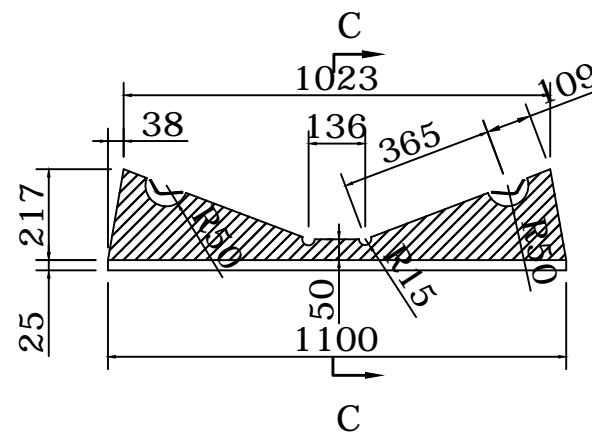
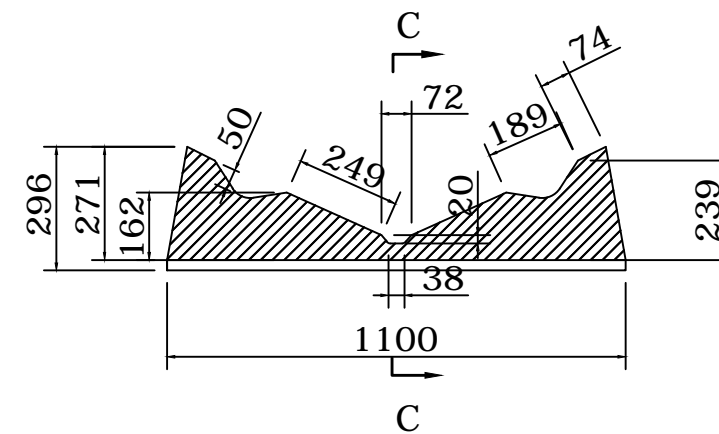


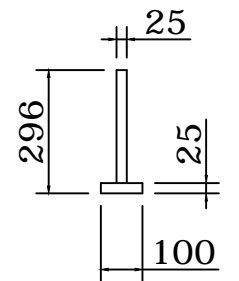
LONGITUDINAL PROFILE



TRANSVERSAL SECTION "A"



TRANSVERSAL SECTION "B"



TRANSVERSAL SECTION "C"

	CB 420 CHOCK		DWN: WL
			APPROVED: LXL
info@highfieldboats.com	DWG:	SCALE:	DATE: 2019.03.12

(C) Copyright reserved. No unauthorized use allowed.
All intellect - ideas - concepts remain the property of Highfield Boats