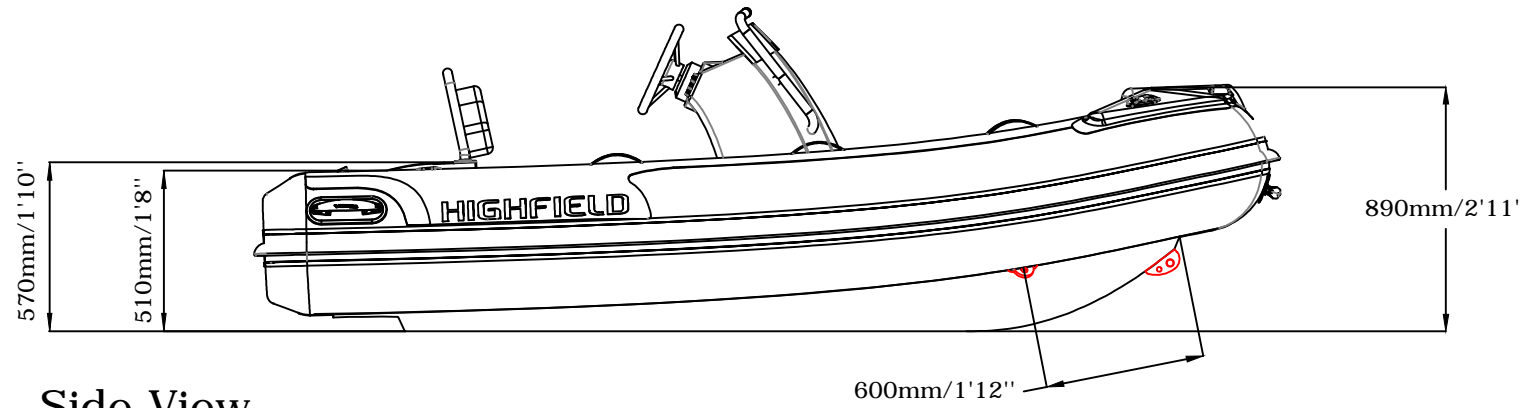
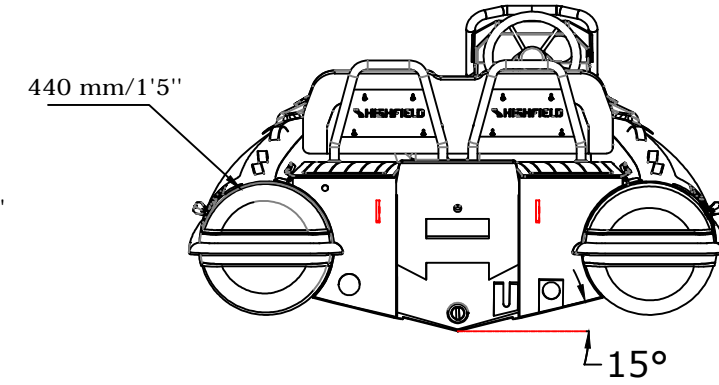


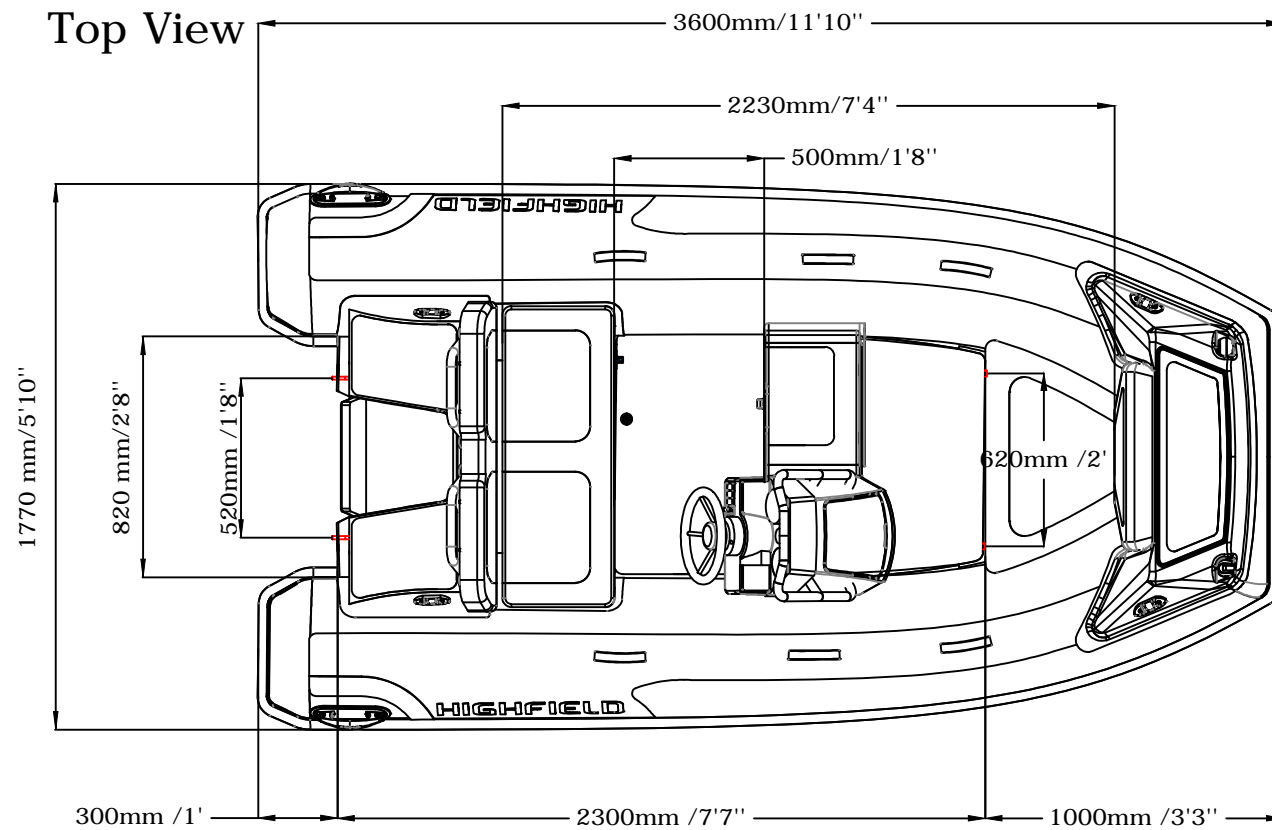
# CLASSIC DELUXE 360 SPECIFICATIONS



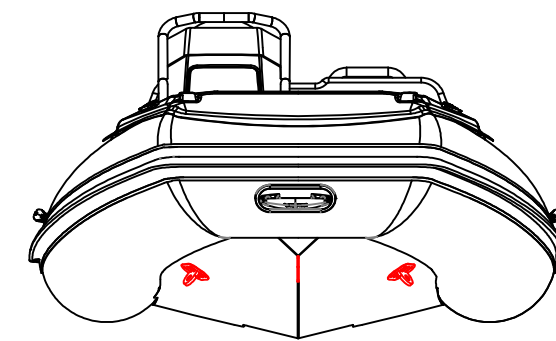
Side View



Rear View



Top View



Front View

SPECIFICATIONS AND MAXIMUM CAPACITIES (Subject to change without notice. Tolerances: Dimensions +/-3% Weight +/-5%)

MODEL	ISO 6185 PART	ISO 6185															Wet Weight (Approximate) 40HP (29.84KW) +Fuel		AIR CHAMBERS					
			KG	LB	#	KG	LB	Length	KG	LB	Maximum		Recommended			Maximum Speed	KG	LB		KG	LB	PSI	BAR	
CL360DL	3	C	614	1354	6	450	992	L	124.1	274	29.84	40	29.84	40	/	/	/	178	392	323.76	714	3	3.63	0.25

Weight includes: console