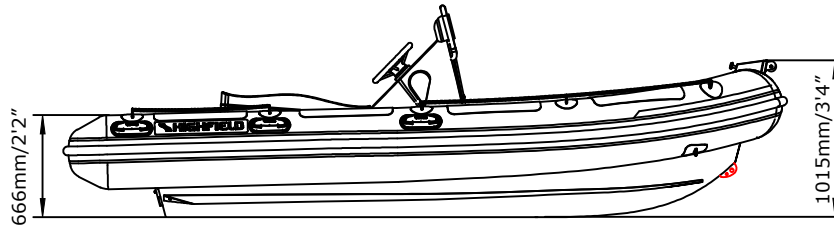
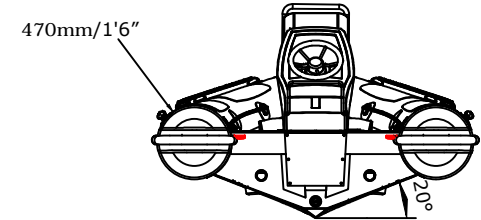


CLUB 460

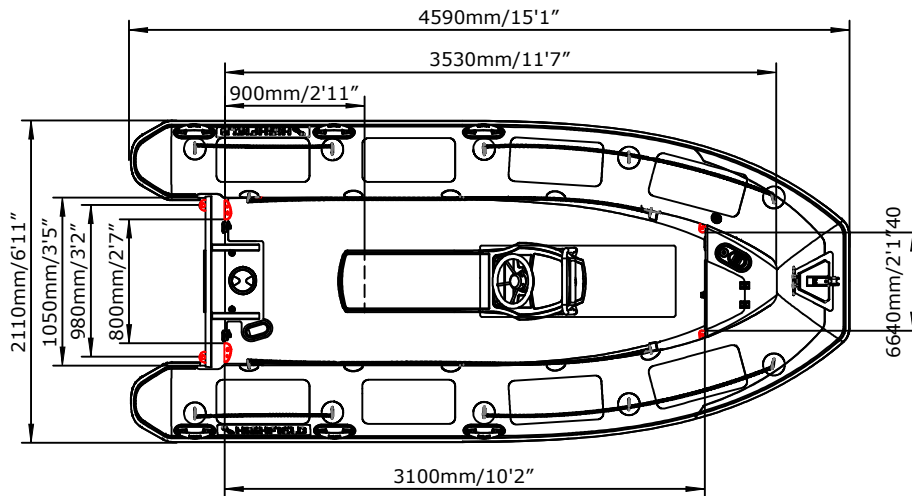
SPECIFICATIONS



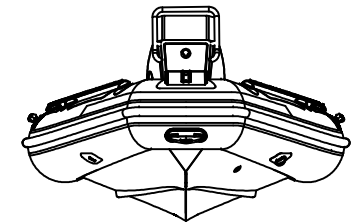
Side View



Rear View



Top View



Front View

SPECIFICATIONS AND MAXIMUM CAPACITIES (Subject to change without notice. Tolerances: Dimensions +/-3% Weight +/-5%)

MODEL	ISO 6185 PART	ISO 6185																Wet Weight (Approximate) 80HP (59.78KW) + Fuel		AIR CHAMBERS 				
			KG	LB	#	KG	LB	Length	KG	LB	Maximum		Recommended			Maximum Speed	KG	LB	KG		LB	PSI	BAR	
CB 460	3	C	944	2081	9	675	1488	L	207.6	458	59.68	80	37.3	50	/	/	/	279	615	486.6	1072.7	5	3.63	0.25

Weight includes: console, seat