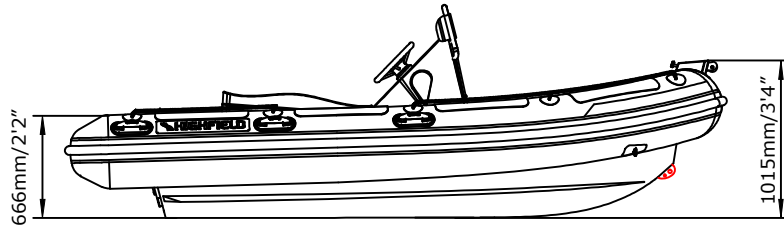
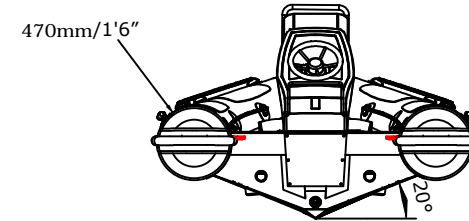


# CLUB 420

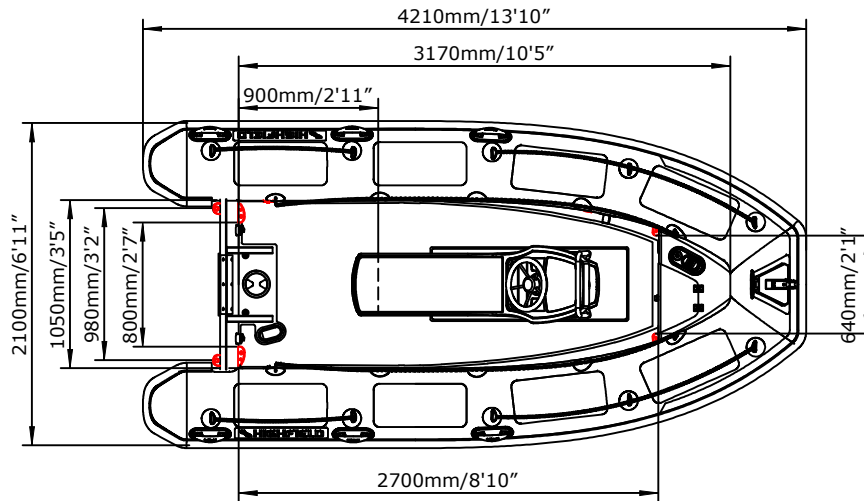
# SPECIFICATIONS



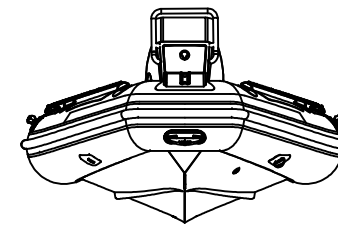
Side View



Rear View



Top View



Front View

SPECIFICATIONS AND MAXIMUM CAPACITIES (Subject to change without notice. Tolerances: Dimensions +/-3% Weight +/-5%)

MODEL	ISO 6185 PART	ISO 6185																Wet Weight (Approximate) 60HP (44.76KW) + Fuel		AIR CHAMBERS 				
			KG	LB	#	KG	LB	Length	KG	LB	Maximum		Maximum Speed			KG	LB	KG	LB		PSI	BAR		
												Recommended	Maximum Speed	KT	MPH	Km/h								
CB 420	3	C	813.3	1793	8	600	1323	L	161.7	356	44.76	60	29.8	40	/	/	/	236	520	397.7	876.7	4	3.63	0.25

Weight includes: console , seat