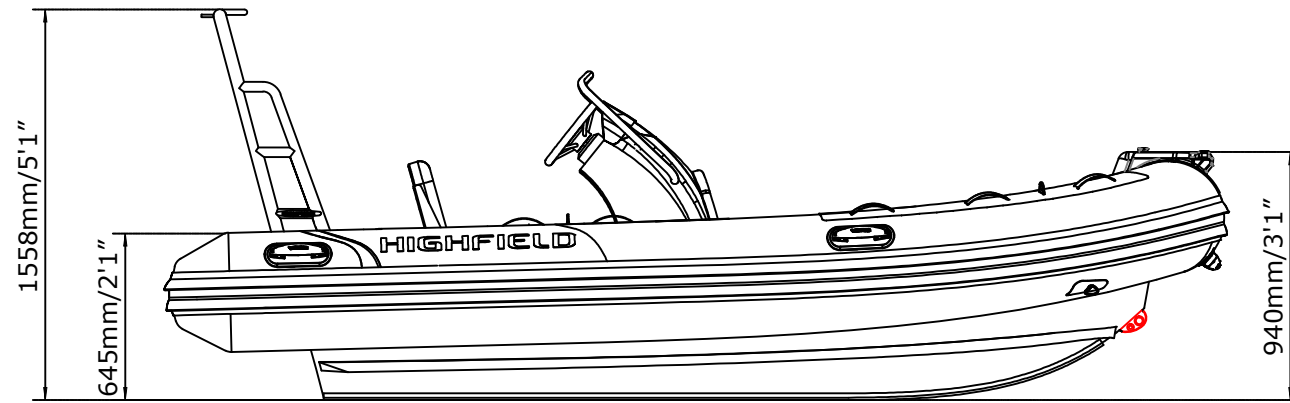
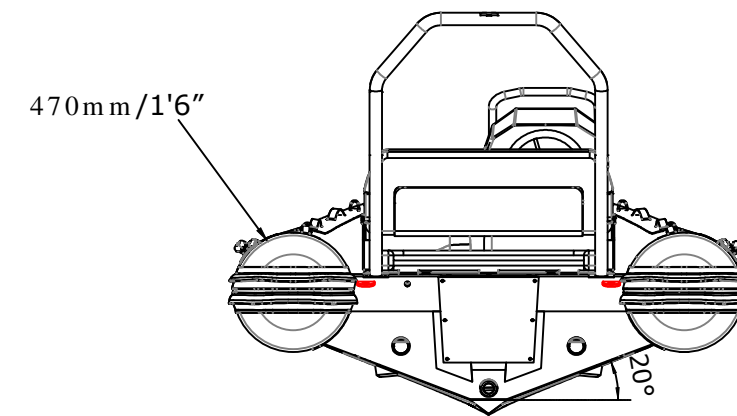


OCEAN MASTER 420

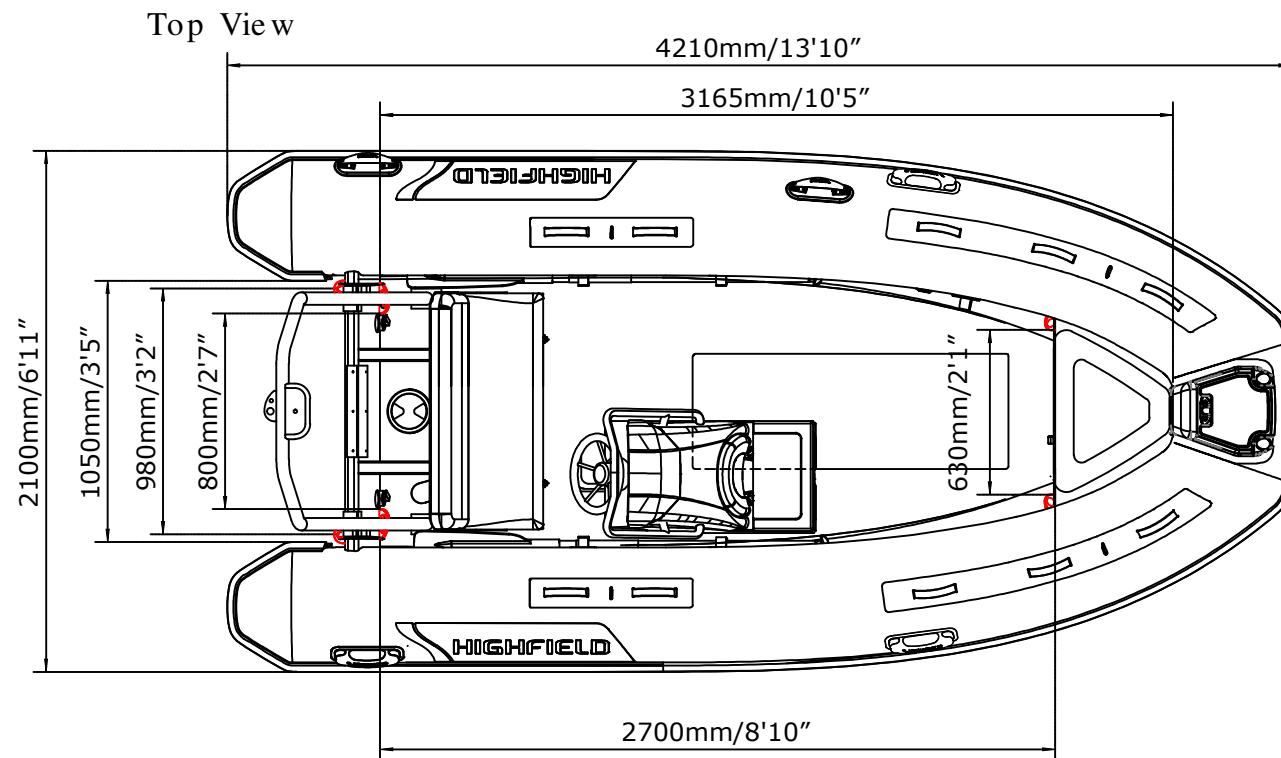
SPECIFICATIONS



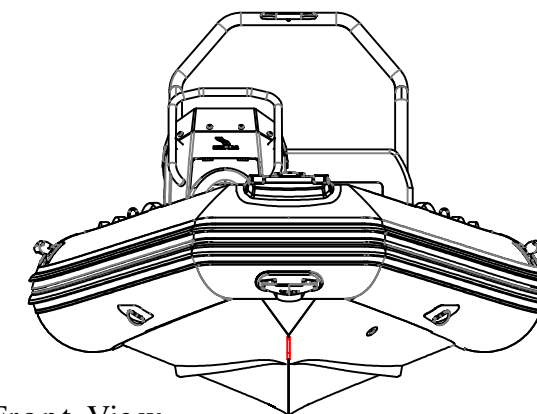
Side View



Rear View



Top View



Front View

| MODEL | ISO 6185 PART | ISO 6185 | | | | | | | | | | | | | | | Wet Weight (Approximate) 60HP (45KW) + Fuel | | AIR CHAMBERS | | | | | |
|-------|---------------|----------|-----|------|----|-----|------|--------|-------|-----|---------|----|-------------|----|---|---------------|---|-----|--------------|-------|-------|-----|------|------|
| | | | KG | LB | # | KG | LB | Length | KG | LB | Maximum | | Recommended | | | Maximum Speed | KG | LB | | KG | LB | PSI | BAR | |
| | | | KG | LB | KT | MPH | Km/h | | | | KW | HP | KW | HP | | | | | | | | | | |
| OM420 | 3 | C | 813 | 1793 | 8 | 600 | 1323 | L | 161.7 | 356 | 44.76 | 60 | 29.84 | 40 | / | / | / | 262 | 578 | 451.7 | 994.2 | 4 | 3.63 | 0.25 |

Weight includes: console, seat, rollbar