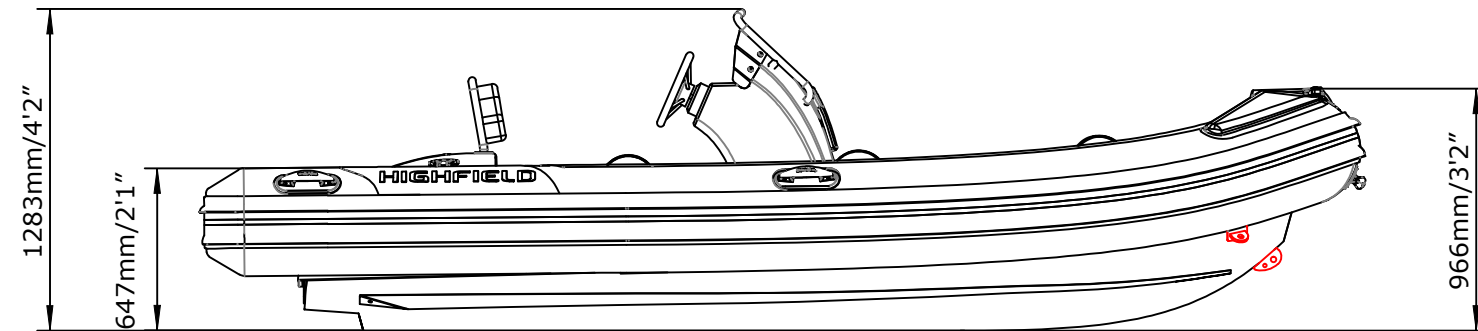
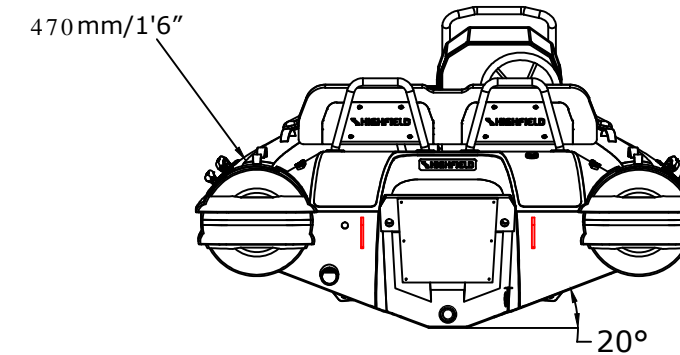


DELUXE 460

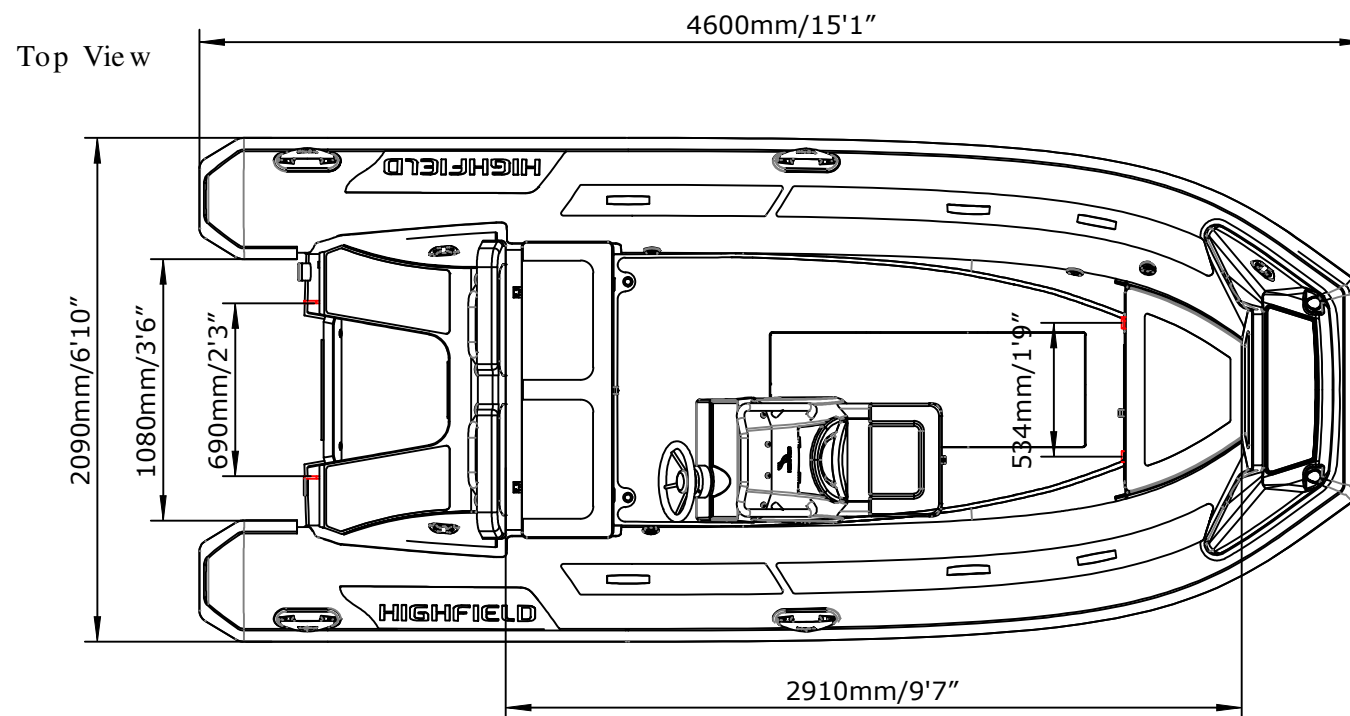
SPECIFICATIONS



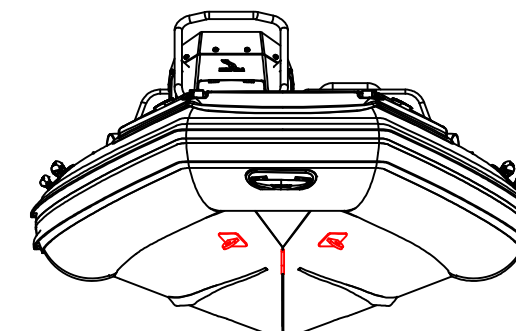
Side View



Rear View



Top View



Front View

SPECIFICATIONS AND MAXIMUM CAPACITIES (Subject to change without notice. Tolerances: Dimensions +/-3% Weight +/-5%)

MODEL	ISO 6185 PART	ISO 6185															Wet Weight (Approximate) 60HP (45KW) + Fuel	AIR CHAMBERS						
			KG	LB	#	KG	LB	Length	KG	LB	Maximum		Recommended			Maximum Speed			KG	LB	KG	LB	PSI	BAR
DL460	3	C	912	2011	9	675	1488	L	207.6	458	59.68	80	37.30	50	/	/	/	323	712	559.6	1233.7	5	3.63	0.25

Weight includes: console