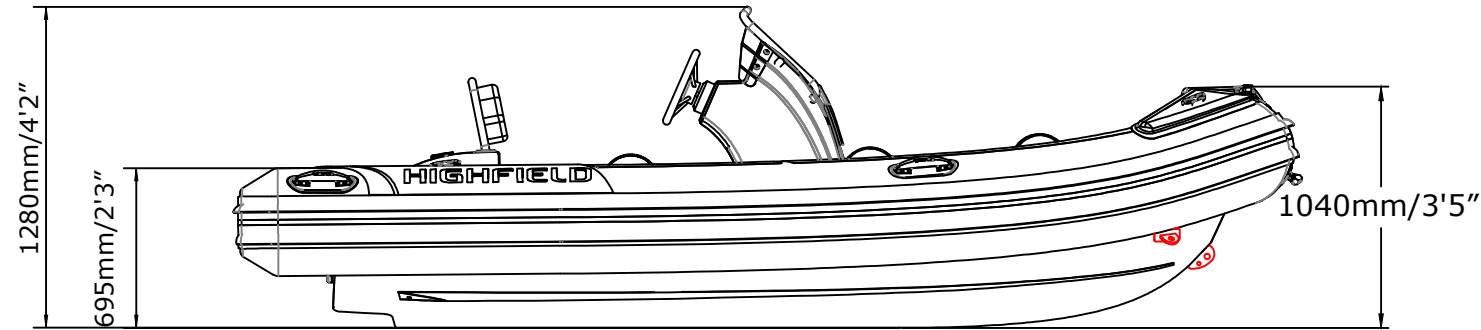
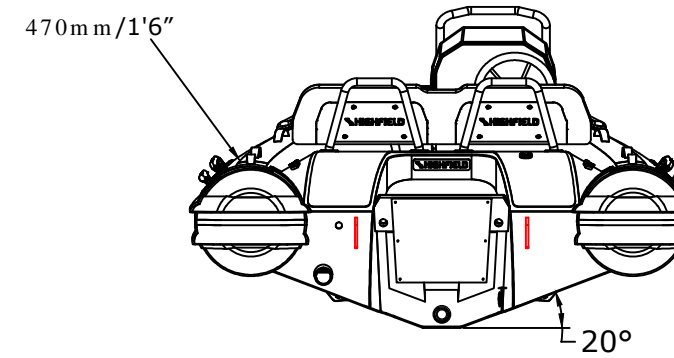


DELUXE 420

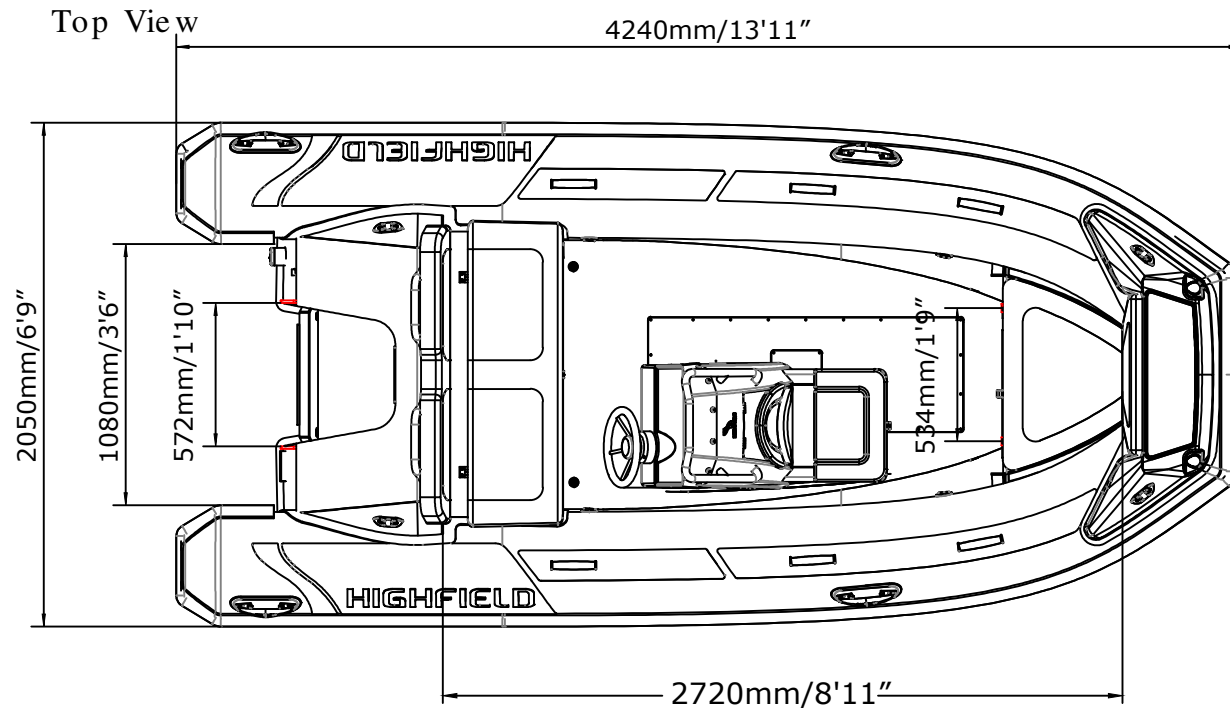
SPECIFICATIONS



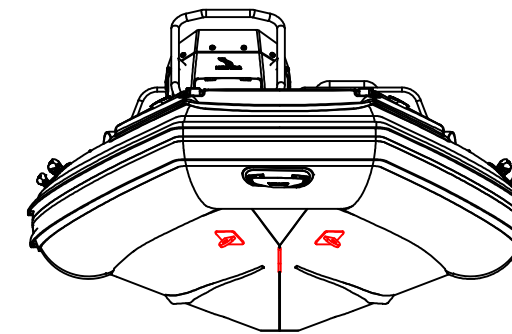
Side View



Rear View



Top View



Front View

SPECIFICATIONS AND MAXIMUM CAPACITIES (Subject to change without notice. Tolerances: Dimensions +/- 3% Weight +/- 5%)

MODEL	ISO 6185 PART	ISO 6185														AIR CHAMBERS								
			KG	LB	#	KG	LB	Length	KG	LB	Maximum Speed			KG	LB		Wet Weight (Approximate) 60HP (45KW) + Fuel	PSI	BAR					
											Maximum	Recommended	Maximum Speed											
DL420	3	C	791	1744	8	600	1323	L	161.7	356	44.76	60	29.84	40	/	/	/	312	688	502.7	1108.3	4	3.63	0.25

Weight includes: console