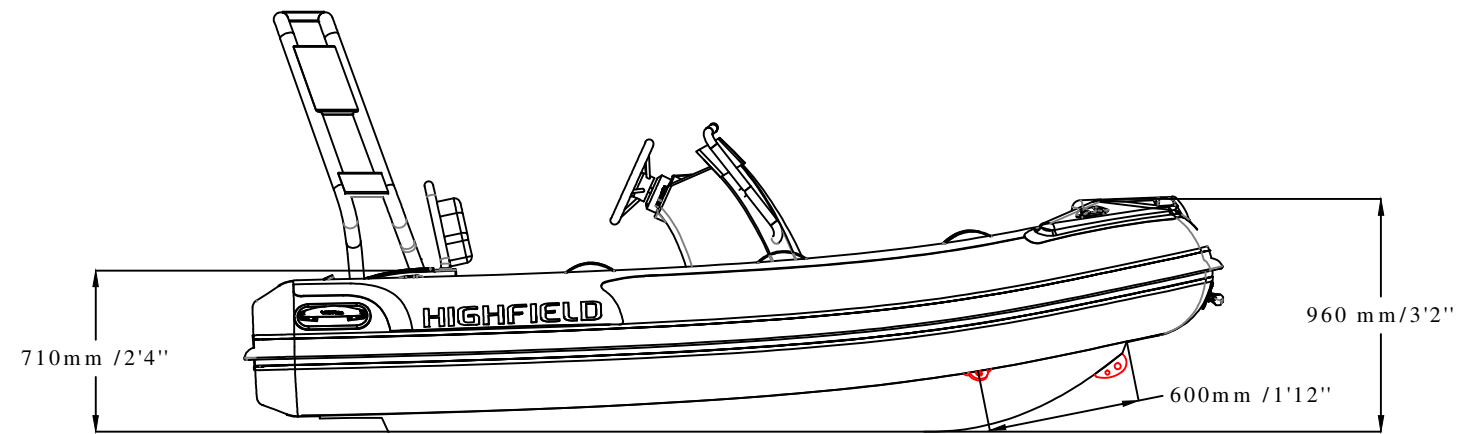
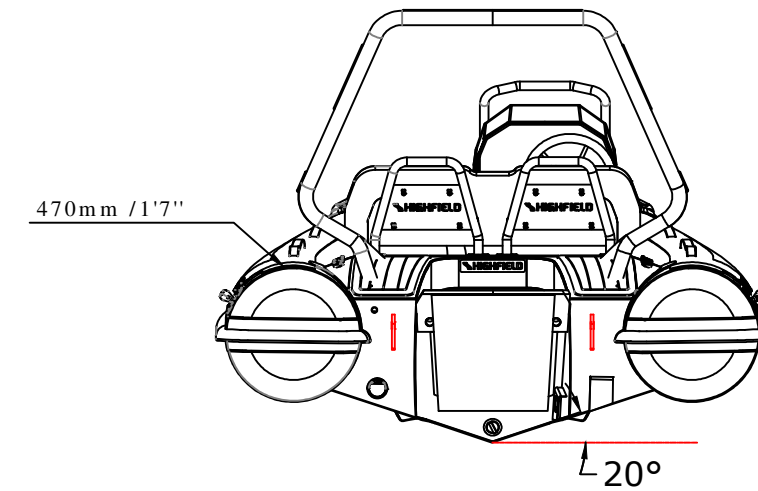


DELUXE 350

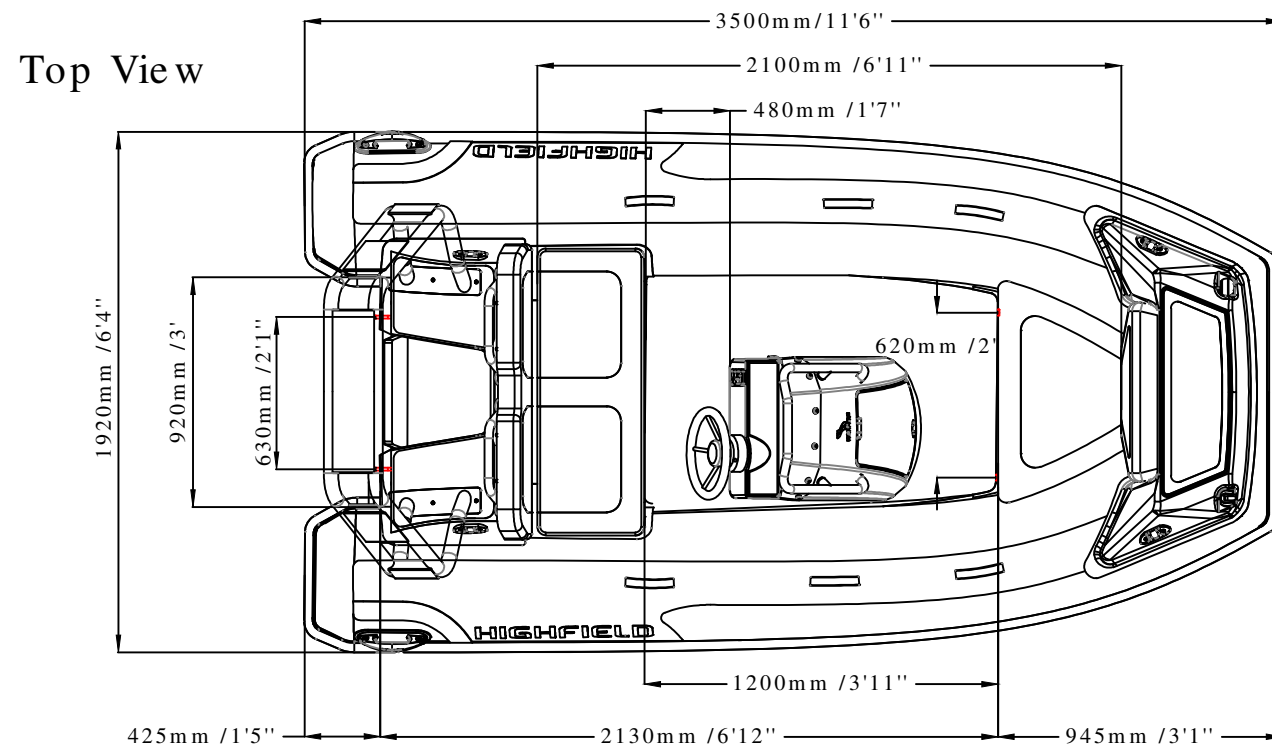
SPECIFICATIONS



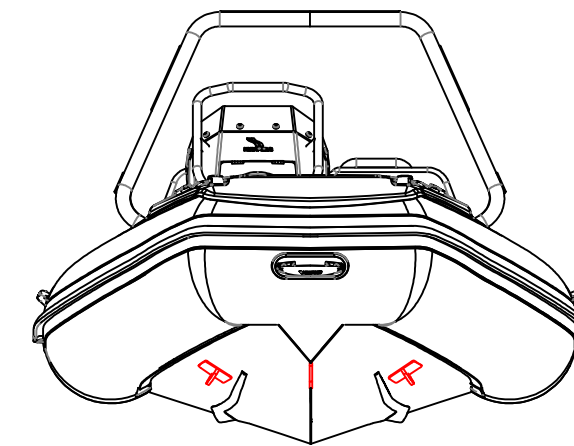
Side View



Rear View



Top View



Front View

SPECIFICATIONS AND MAXIMUM CAPACITIES (Subject to change without notice. Tolerances: Dimensions +/-3% Weight +/-5%)

MODEL	ISO 6185 PART	ISO 6185			#			Length									AIR CHAMBERS							
			KG	LB		KG	LB		Maximum	Recommended	Maximum Speed	KG	LB	KG	LB	PSI		BAR						
									KW	HP	KW	HP	KT	MPH	Km/h									
DL350	3	C	603	1329	6	450	992	L	24.1	274	29.84	40	/	/	/	/	/	205	452	350.85	773	3	3.63	0.25

Weight includes: console, rollbar