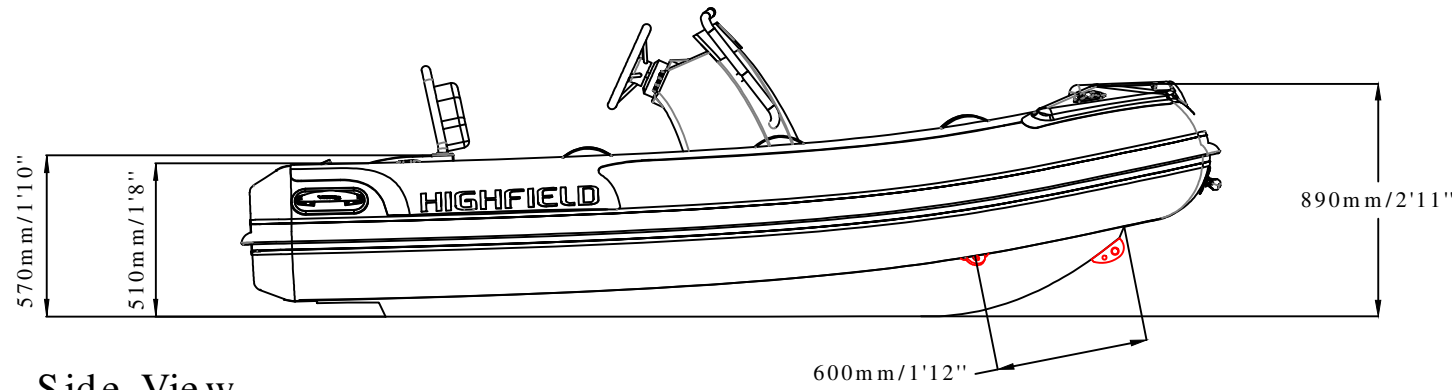
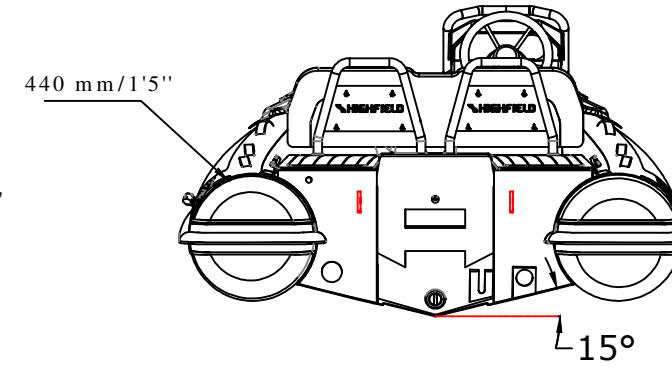


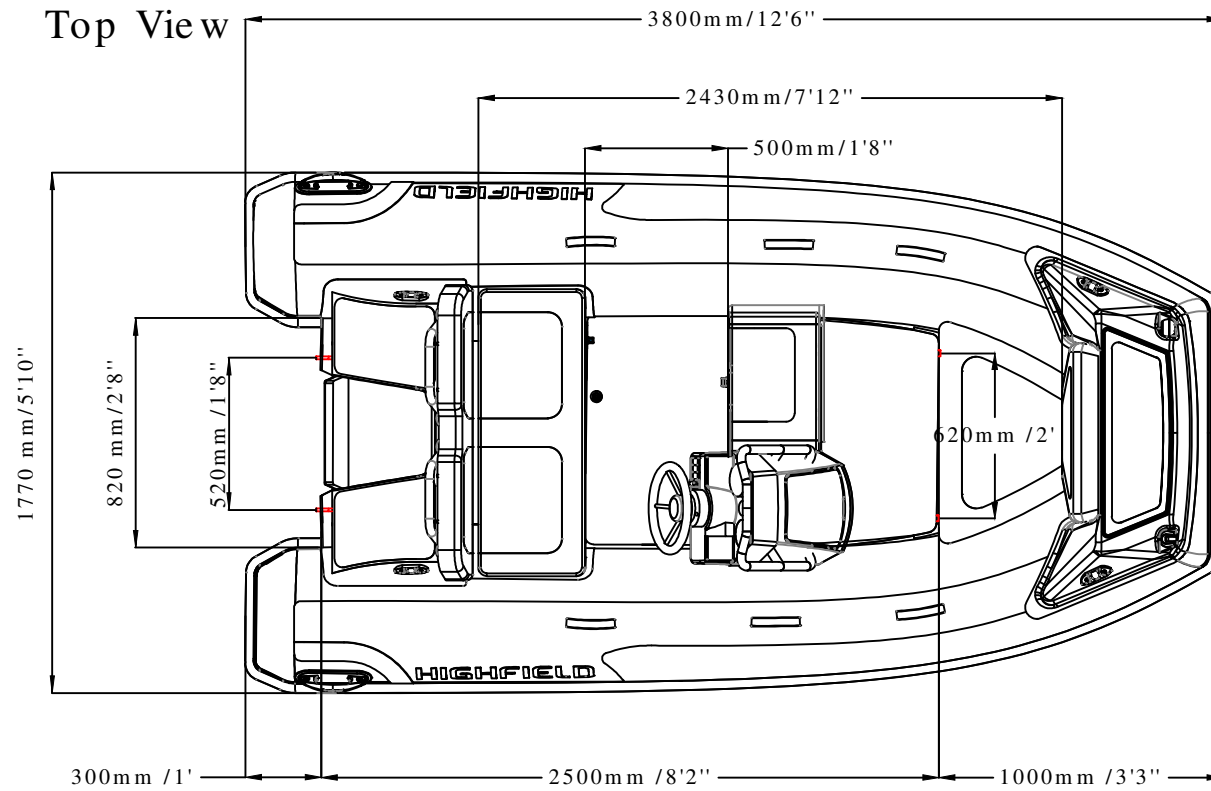
CLASSIC DELUXE 380 SPECIFICATIONS



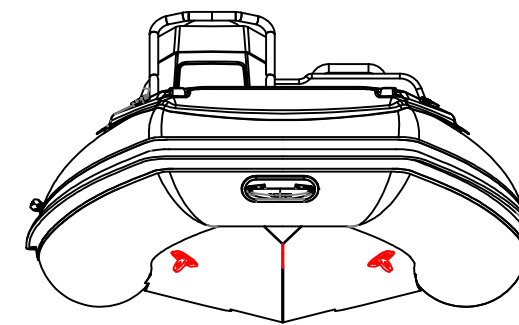
Side View



Rear View



Top View



Front View

SPECIFICATIONS AND MAXIMUM CAPACITIES (Subject to change without notice. Tolerances: Dimensions +/-3% Weight +/-5%)

MODEL	ISO 6185 PART	ISO 6185	Passengers		#	Weight		Length	Maximum Speed				Wet Weight (Approximate) 40HP (29.84KW) + Fuel		AIR CHAMBERS	Pressure								
			KG	LB		KG	LB		Maximum	Recommended	Maximum Speed	KG	LB	PSI		BAR								
									KW	HP	KW	HP	KT	MPH		Km/h								
CL380DL	3	C	692	1526	7	525	1157	L	24.1	274	29.84	40	/	/	/	/	/	181	399	326.85	721	3	3.63	0.25

Weight includes: console