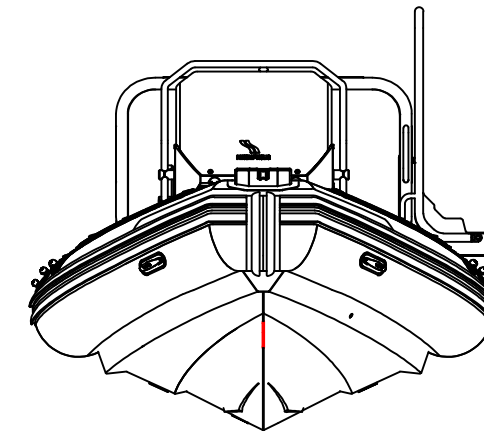
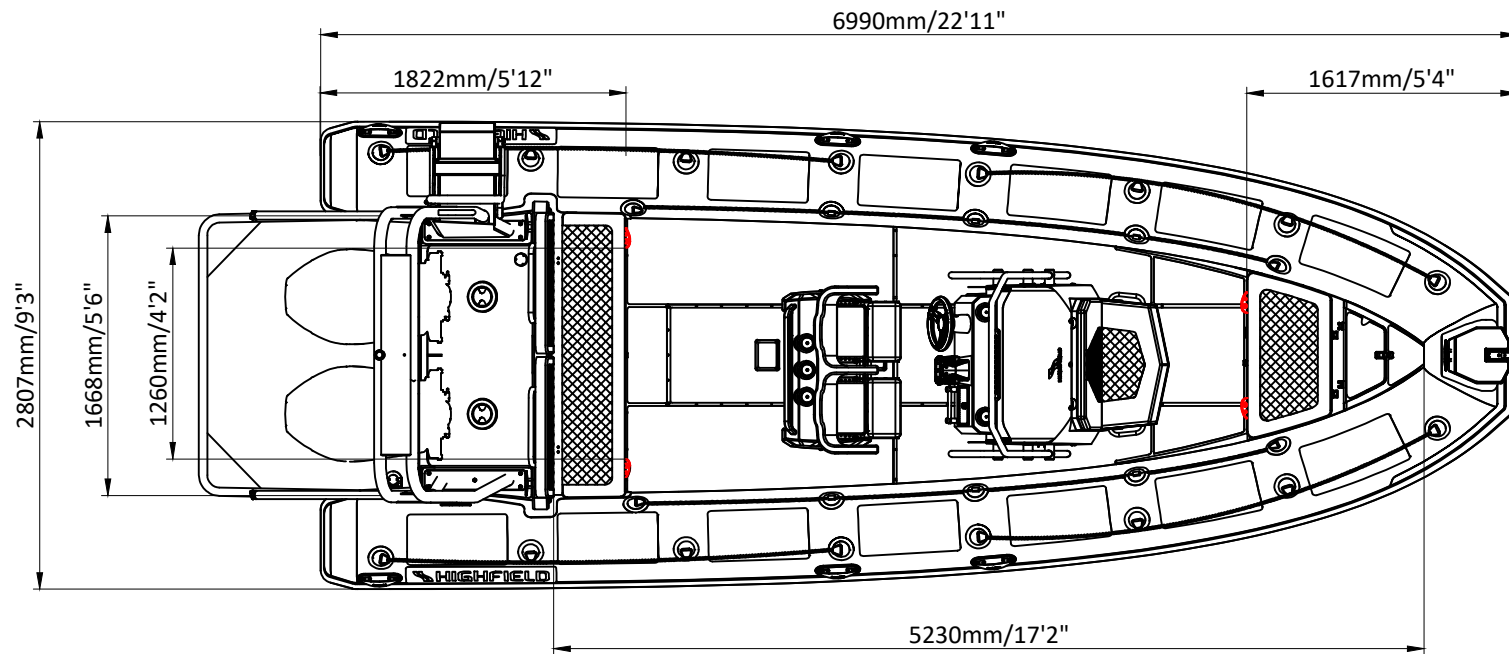
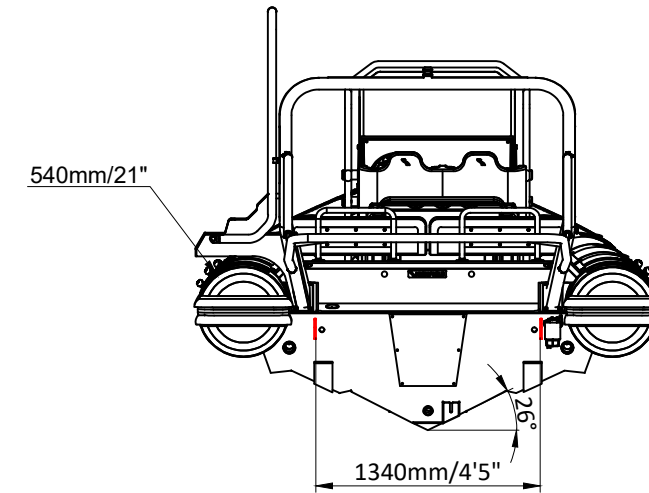
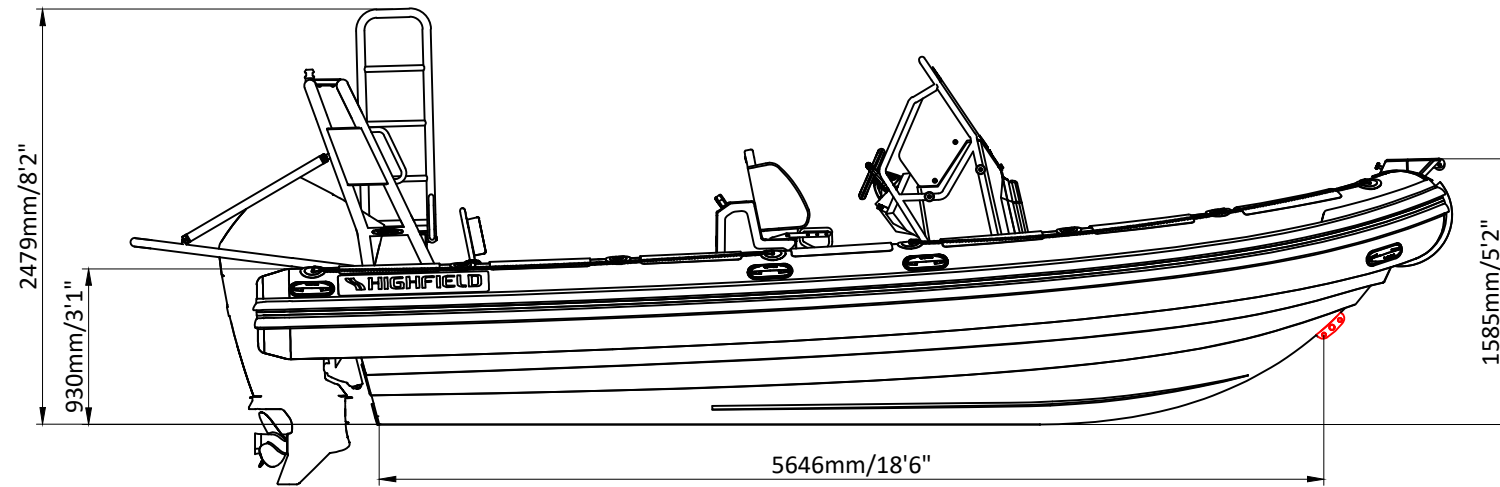


PATROL 700SB

SPECIFICATIONS



SPECIFICATIONS AND MAXIMUM CAPACITIES (Subject to change without notice. Tolerances: Dimensions ±2.5% Weight ±5%) Note: red means lifting eyes.

MODEL	ISO 6185 PART	ISO 6185	Person + Bag		#	Person		Shaft	Outboard Engine				Engine guard		Rear tow post		Rollbar with ladder		Fuel tank Capacity		Wet Weight (Approximate) XXHP (XXKW) +Fuel		AIR CHAMBERS	Pressure			
			KG	LB		KG	LB		KW	HP	KG	LB	KG	LB	KG	LB	L	GAL	KG	LB	PSI	BAR					
			Max power	Max weight		KG	LB																	KG	LB	L	GAL
PA700SB	3	C	1280	2822	16	1200	2646	L	112*2	150*2	526	1160	996	2196	15	33	19	42	55	121	285	75	1729	3812	6	3.63	0.25

Boat weight includes: console , seat

2025V3