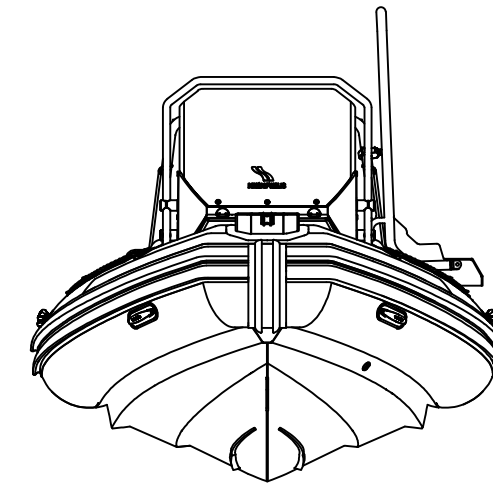
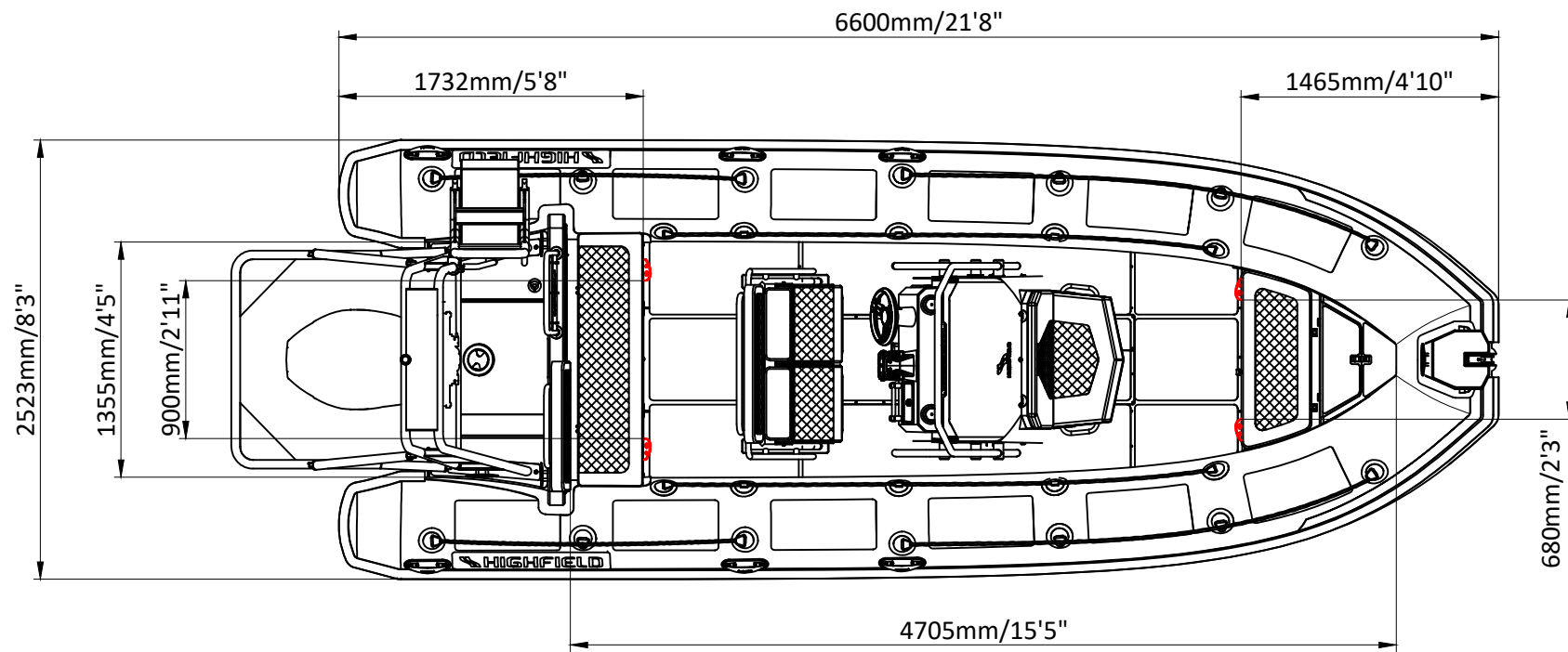
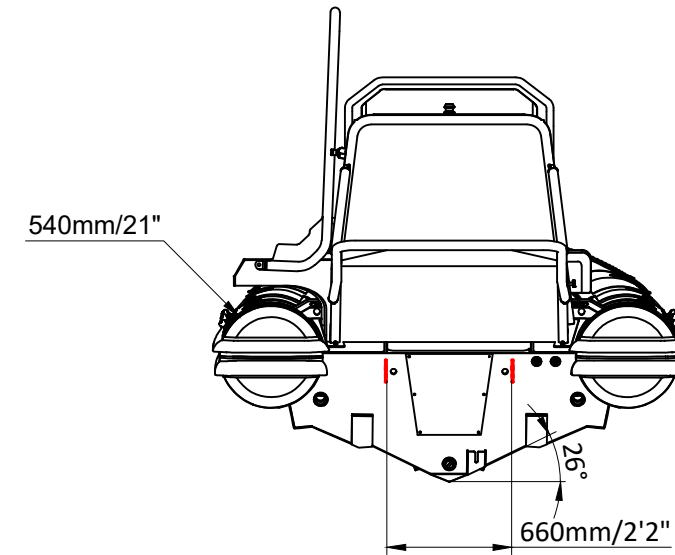
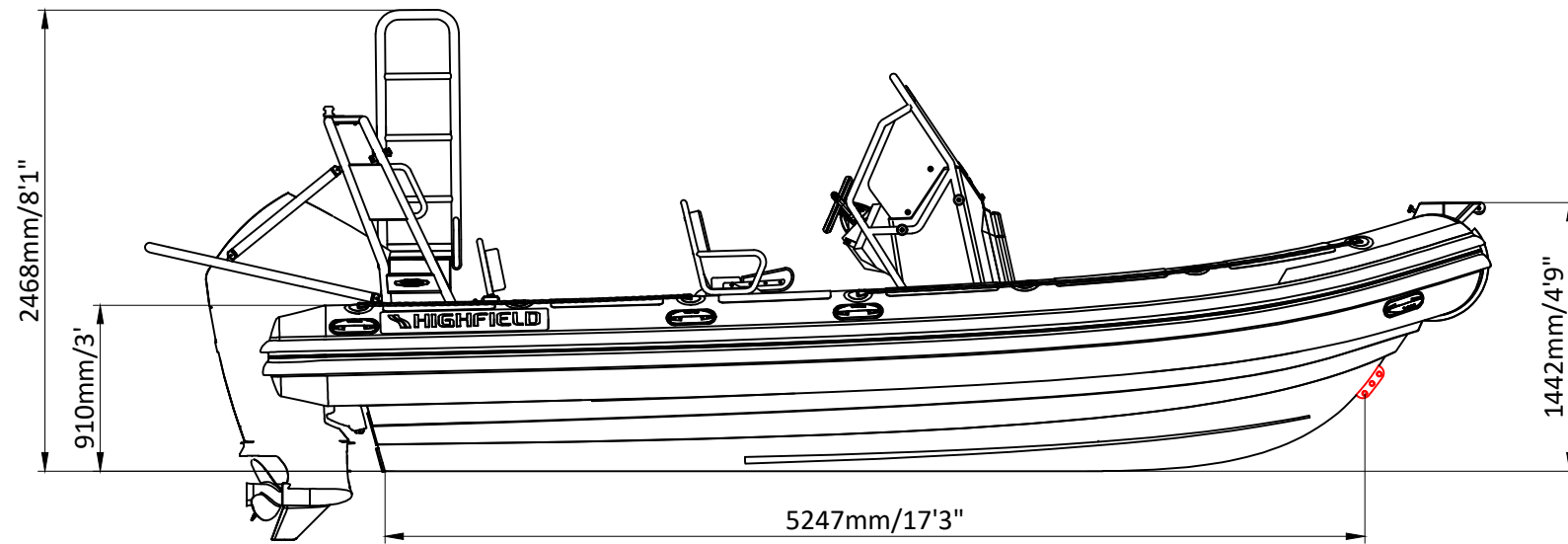


PATROL 660SB

SPECIFICATIONS



SPECIFICATIONS AND MAXIMUM CAPACITIES (Subject to change without notice. Tolerances: Dimensions ±2.5% Weight ±5%) Note: red means lifting eyes.

| MODEL | ISO 6185 PART | ISO 6185 | Person + Bag | | Person | | Outboard Engine | Engine guard | Rear tow post | Rollbar with ladder | Fuel tank Capacity | | Wet Weight (Approximate) 200HP (149.1KW) +Fuel | | AIR CHAMBERS | Pressure | | | | | | | | | | | |
|----------|---------------|----------|--------------|------|--------|-----------|-----------------|--------------|---------------|---------------------|--------------------|-----|--|------|--------------|----------|----|----|-----|-----|-----|----|------|------|---|------|------|
| | | | KG | LB | # | KG | | | | | LB | KG | LB | L | | GAL | KG | LB | PSI | BAR | | | | | | | |
| | | | | | Shaft | Max power | | | | | Max weight | KG | LB | KG | | LB | KG | LB | KG | LB | KG | LB | | | | | |
| PA600 SB | 3 | C | 1200 | 2646 | 15 | 1125 | 2480 | XL | 149.1 | 200 | 320 | 705 | 791 | 1744 | 15 | 33 | 19 | 42 | 43 | 95 | 140 | 37 | 1213 | 2674 | 6 | 3.63 | 0.25 |

Boat weight includes: console, seat