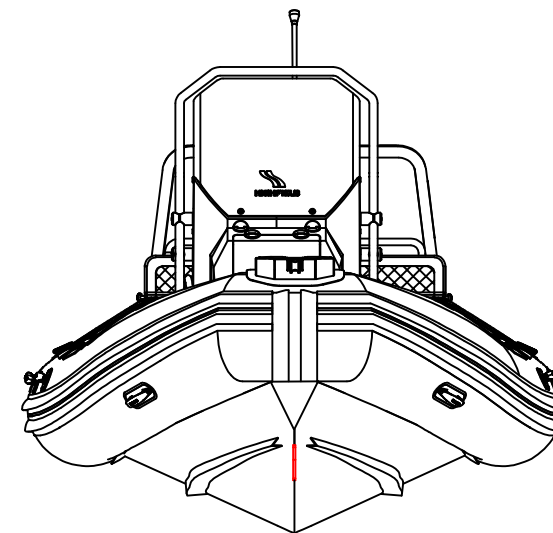
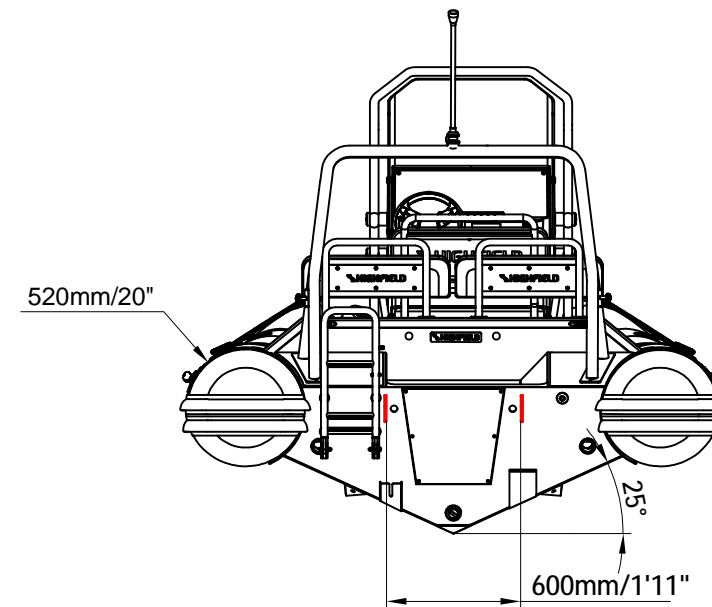
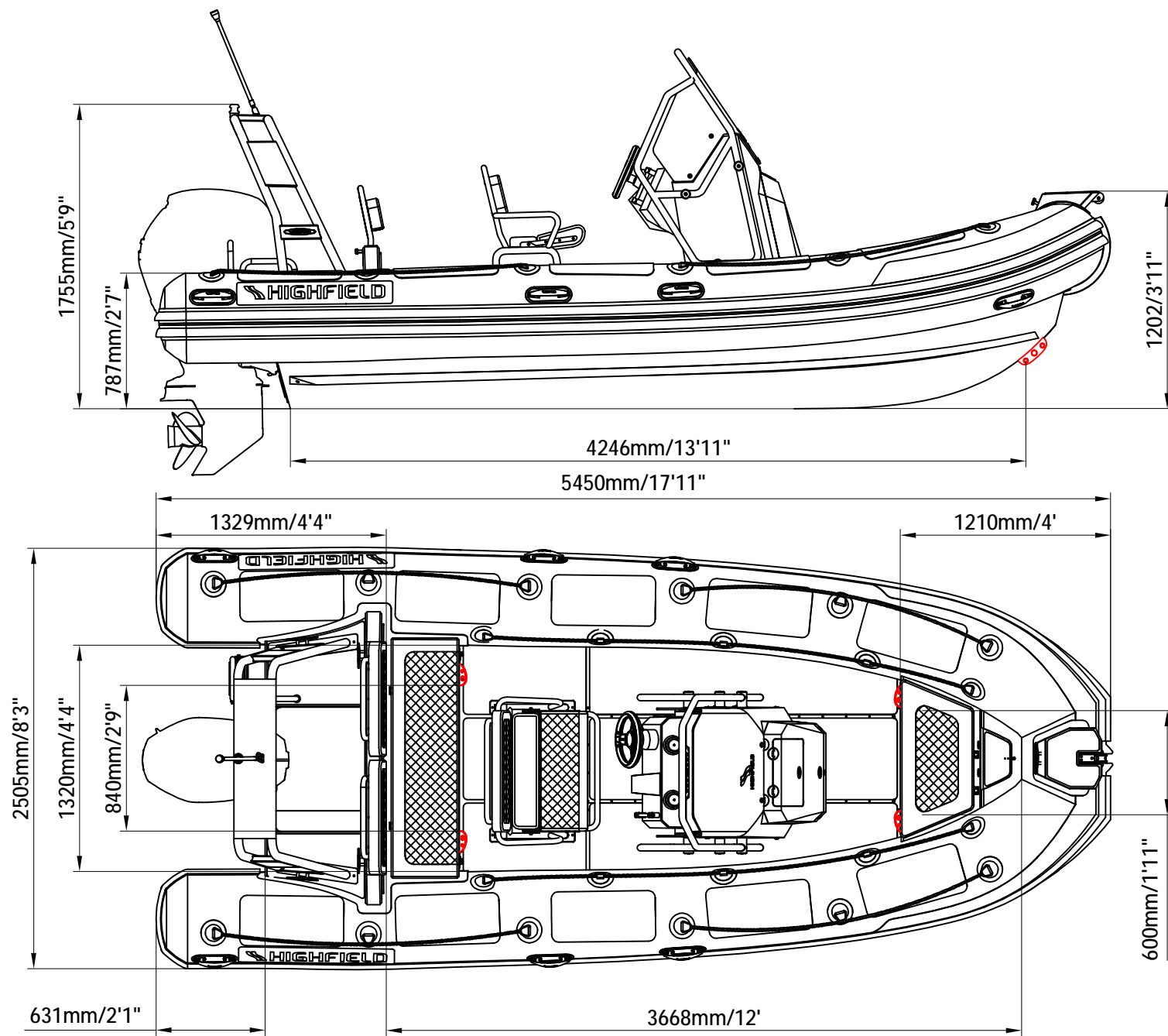


PATROL 540SB

SPECIFICATIONS



SPECIFICATIONS AND MAXIMUM CAPACITIES (Subject to change without notice. Tolerances: Dimensions $\pm 2.5\%$ Weight $\pm 5\%$) Note: red means lifting eyes.

MODEL	ISO 6185 PART	ISO 6185	Passengers		#	Weight		Shaft	Outboard Engine		Sundeck		Rollbar		Tow post		Fuel tank Capacity		Wet Weight (Approximate) 115HP (85.8KW) +Fuel		AIR CHAMBERS	Pressure					
			KG	LB		KG	LB		KG	LB	KG	LB	KG	LB	KG	LB	KG	LB	KG	LB		PSI	BAR				
PA540SB	3	C	960	2116	12	900	1984	XL	85.8	115	252	555	533	1175	/	/	15	33	/	/	105	28	861	1898	6	3.63	0.25

Boat weight includes: console, seat