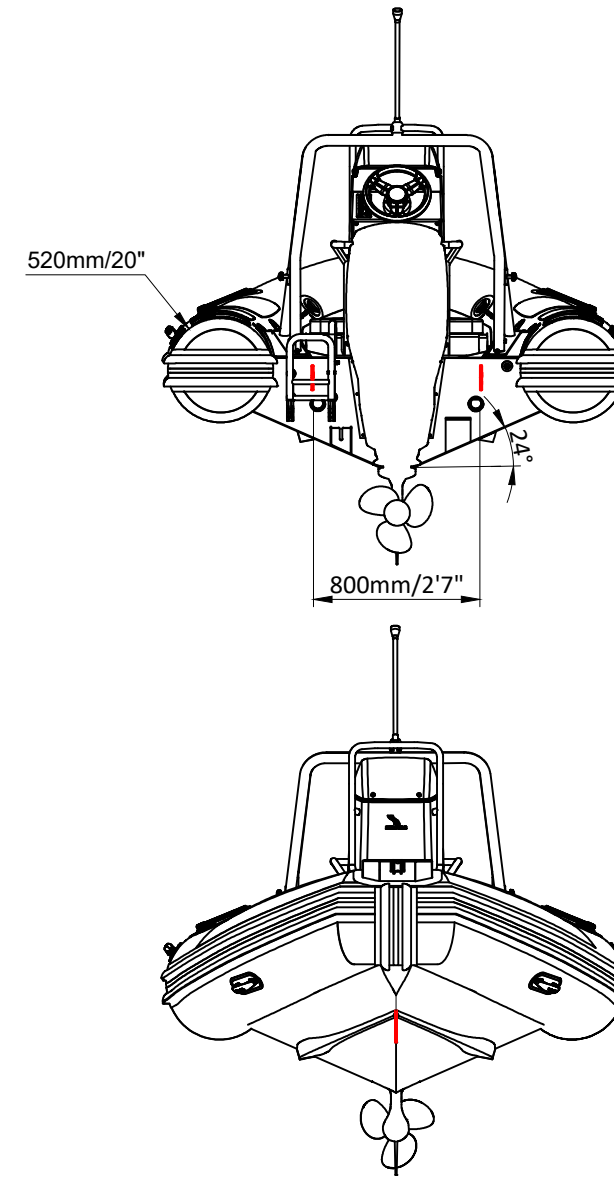
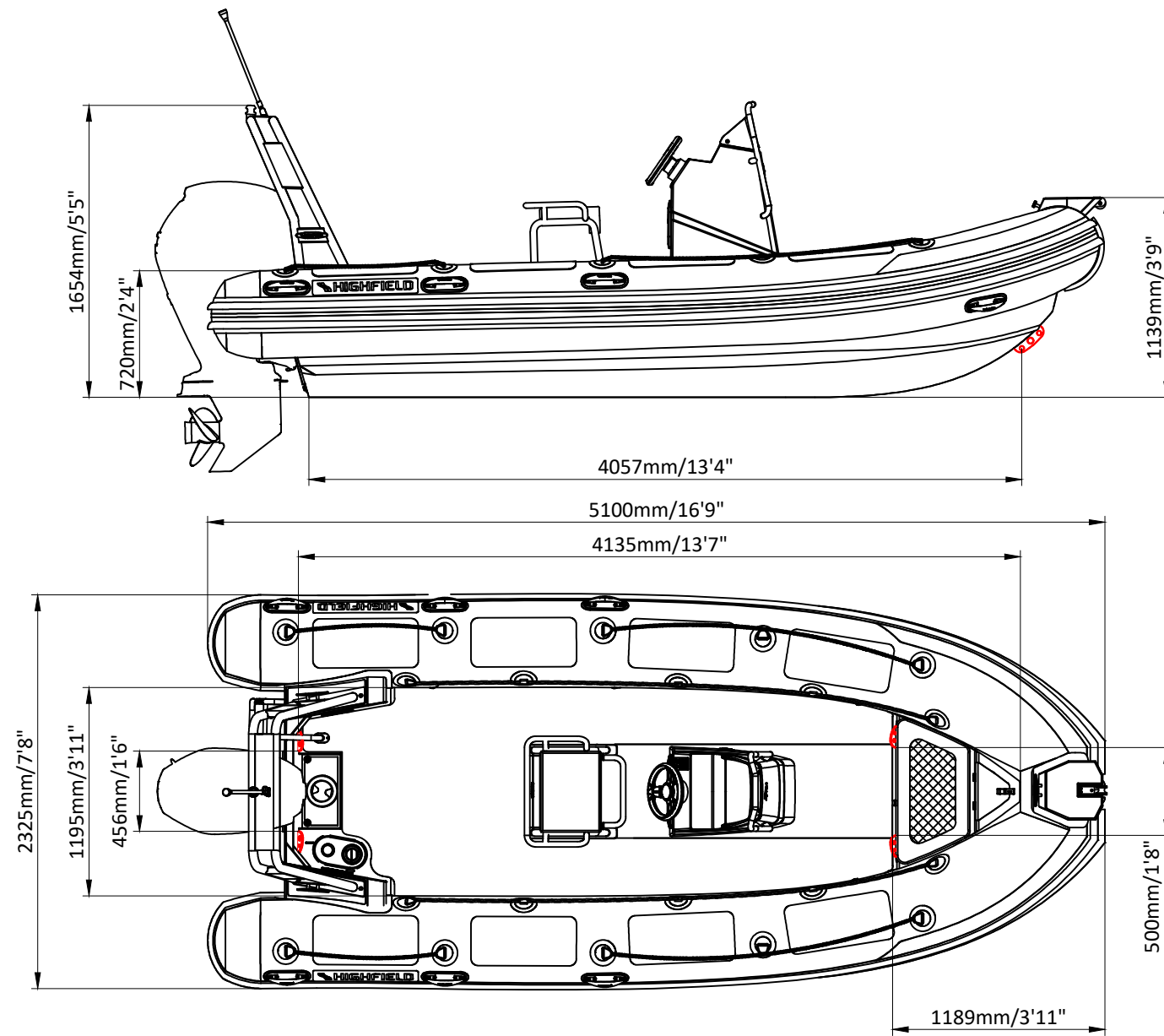


PATROL 500B

SPECIFICATIONS



SPECIFICATIONS AND MAXIMUM CAPACITIES (Subject to change without notice. Tolerances: Dimensions ±2.5% Weight ±5%) Note: red means lifting eyes.

MODEL	ISO 6185 PART	ISO 6185	Passenger		#	Weight		Shaft	Outboard Engine				Sundeck		Rollbar		Tow post		Fuel tank Capacity		Wet Weight (Approximate) 100HP (74.6KW) +Fuel		AIR CHAMBERS	Pressure			
			KG	LB		KG	LB		Max power	Max weight	KG	LB	KG	LB	KG	LB	L	GAL	KG	LB	PSI	BAR					
									KW	HP	KG	LB															
PA500OB	3	C	800	1764	10	750	1653	L	74.6	100	221	487	425	937	/	/	15	33	/	/	90	23	711	1567	6	3.63	0.25

Boat weight includes: console, seat