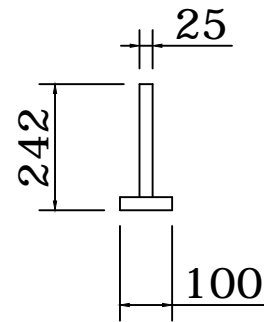
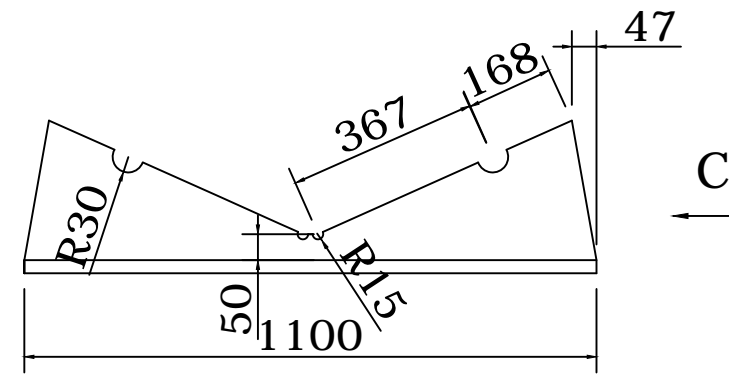


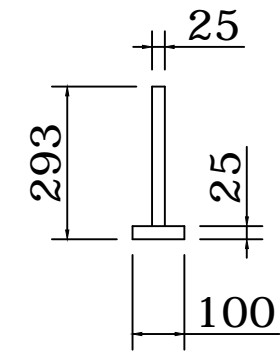
A-A



"D"view



B-B



"C"view

| | | | |
|---|---|--------|------------------|
| | OM 460 Chock Arrangement | | DWN: WL |
| | | | APPROVED: LXL |
| info@highfieldboats.com | DWG: | SCALE: | DATE: 2018.04.28 |
| (C) Copyright reserved. No unauthorized use allowed. All intellect - ideas - concepts remain the property of Highfield Boats | | | |