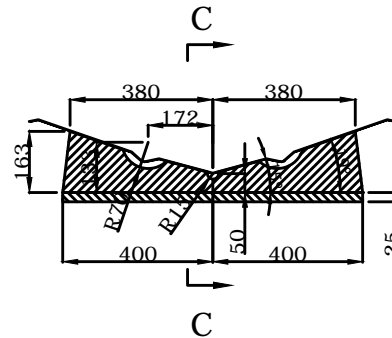
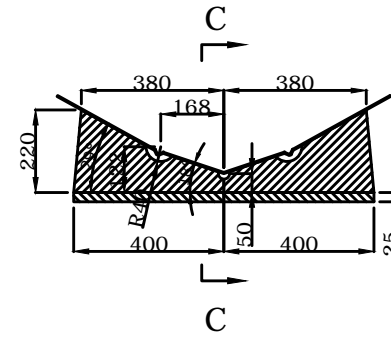


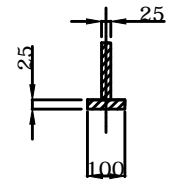
LONGITUDINAL PROFILE




TRANSVERSAL SECTION "A"



TRANSVERSAL SECTION "B"



TRANSVERSAL SECTION "C"

	<p>UL290 CHOCK ARRANGEMENT</p>		<p>DWN: HCY</p>
	<p>info@highfieldboats.com</p>		<p>APPROVED: LXL</p>
<p>DWG:</p>	<p>SCALE:</p>	<p>DATE: 2016.09.01</p>	

(C) Copyright reserved. No unauthorized use allowed.
All intellect - ideas - concepts remain the property of Highfield Boats