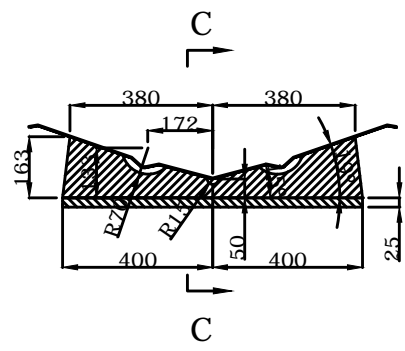
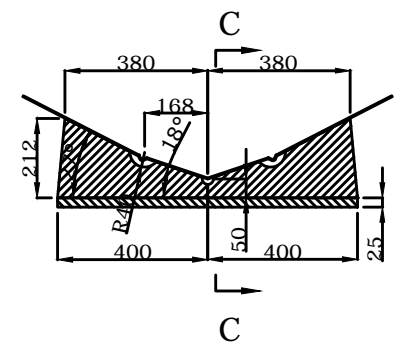


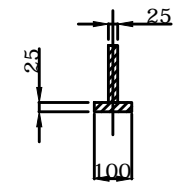
LONGITUDINAL PROFILE



TRANSVERSAL SECTION "A"



TRANSVERSAL SECTION "B"



TRANSVERSAL SECTION "C"

	CL380BLT		DWN: HCY
	CHOCK ARRANGEMENT		APPROVED: LXL
info@highfieldboats.com	DWG:	SCALE:	DATE: 2016.09.01

(C) Copyright reserved. No unauthorized use allowed.
All intellect - ideas - concepts remain the property of Highfield Boats