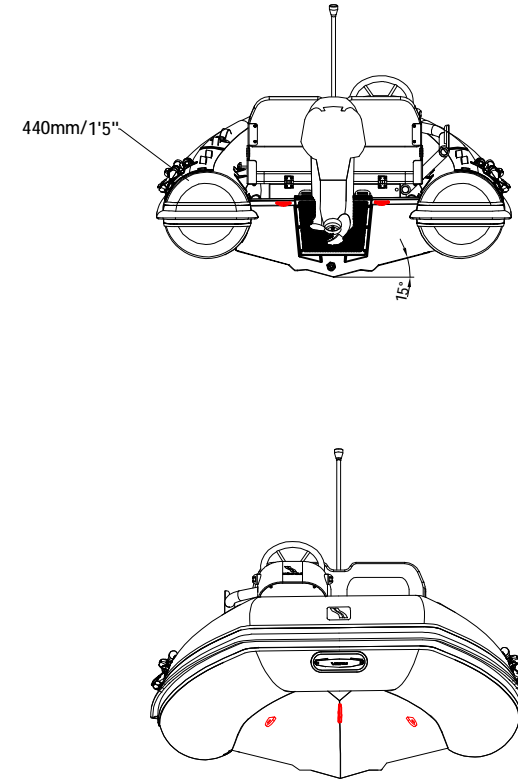
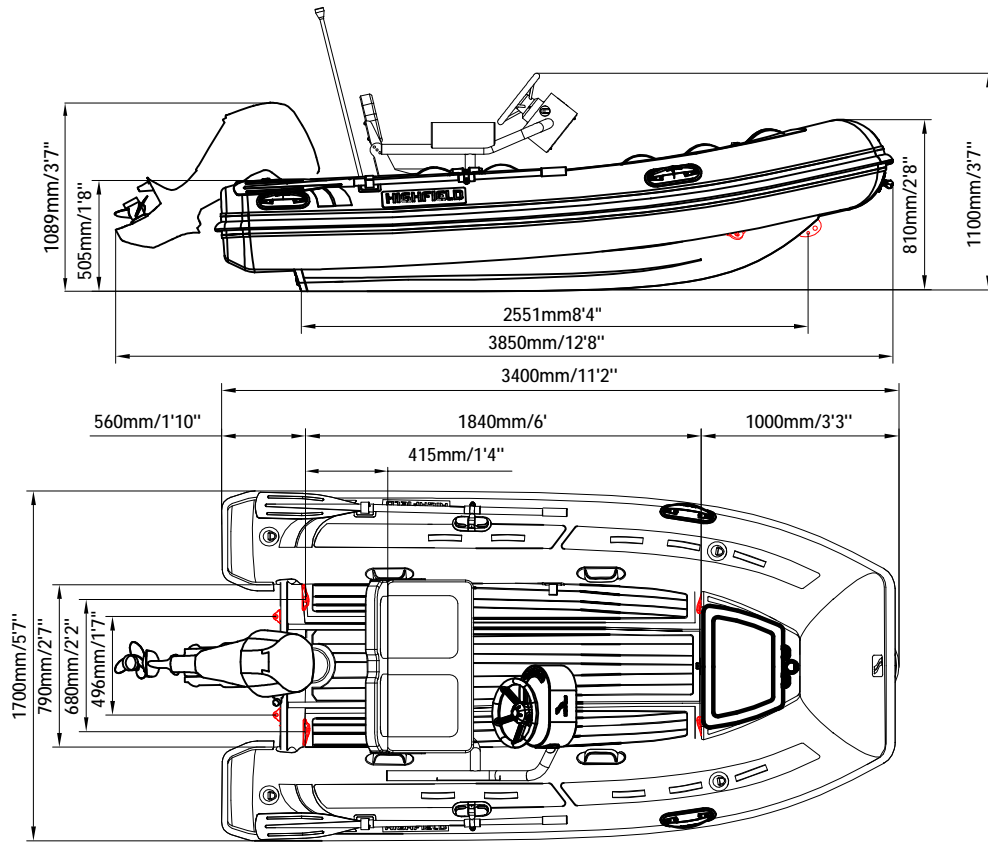


# CLASSIC 340

(Short Shaft)

# SPECIFICATIONS



SPECIFICATIONS AND MAXIMUM CAPACITIES (Subject to change without notice. Tolerances: dimensions  $\pm 2.5\%$ , weights  $\pm 5\%$ ) Note: red means lifting eyes.

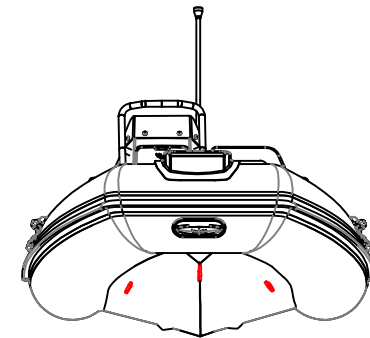
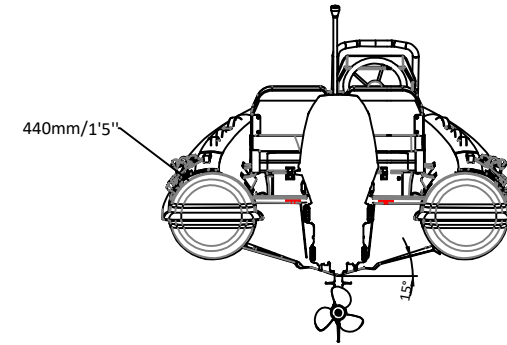
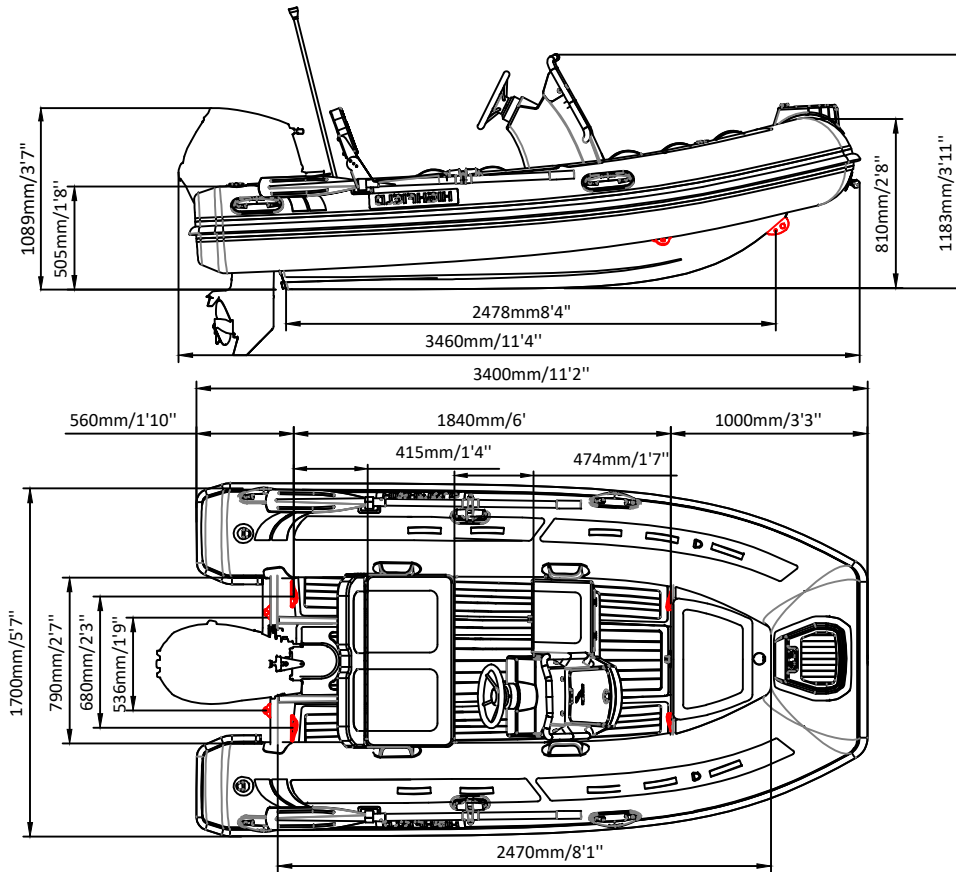
MODEL	ISO 6185 PART	ISO 6185	Crew		#	Weight		Shaft	Outboard Engine				FCT		Molded seat		Oars		Fuel tank Capacity		Wet Weight (Approximate) 20HP (14.92KW)		AIR CHAMBERS	Stability			
			KG	LB		KG	LB		KW	HP	KG	LB	KG	LB	KG	LB	L	GAL	KG	LB	PSI	BAR					
			Max power	Max weight		KG	LB																	KG	LB	L	GAL
CL340	3	C	551	1215	6	450	992	S	18.65	25	104.5	230	71	157	36	79	3	6.6	1.5	3.3	/	/	216	476	3	3.63	0.25

Weight: boat only.

# CLASSIC 340

(Short Shaft)

# SPECIFICATIONS



SPECIFICATIONS AND MAXIMUM CAPACITIES (Subject to change without notice. Tolerances: dimensions ±2.5%, weights ±5%)

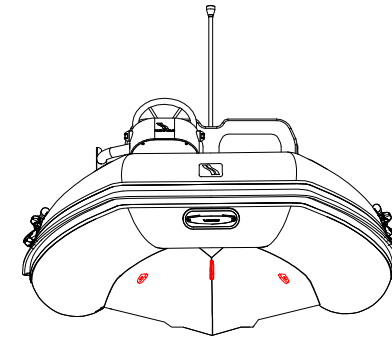
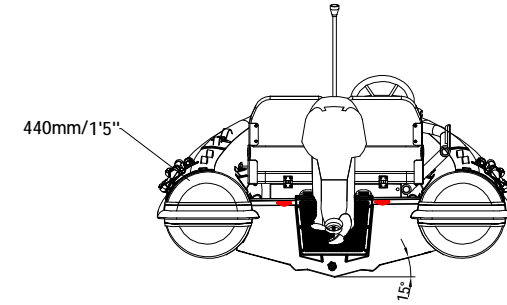
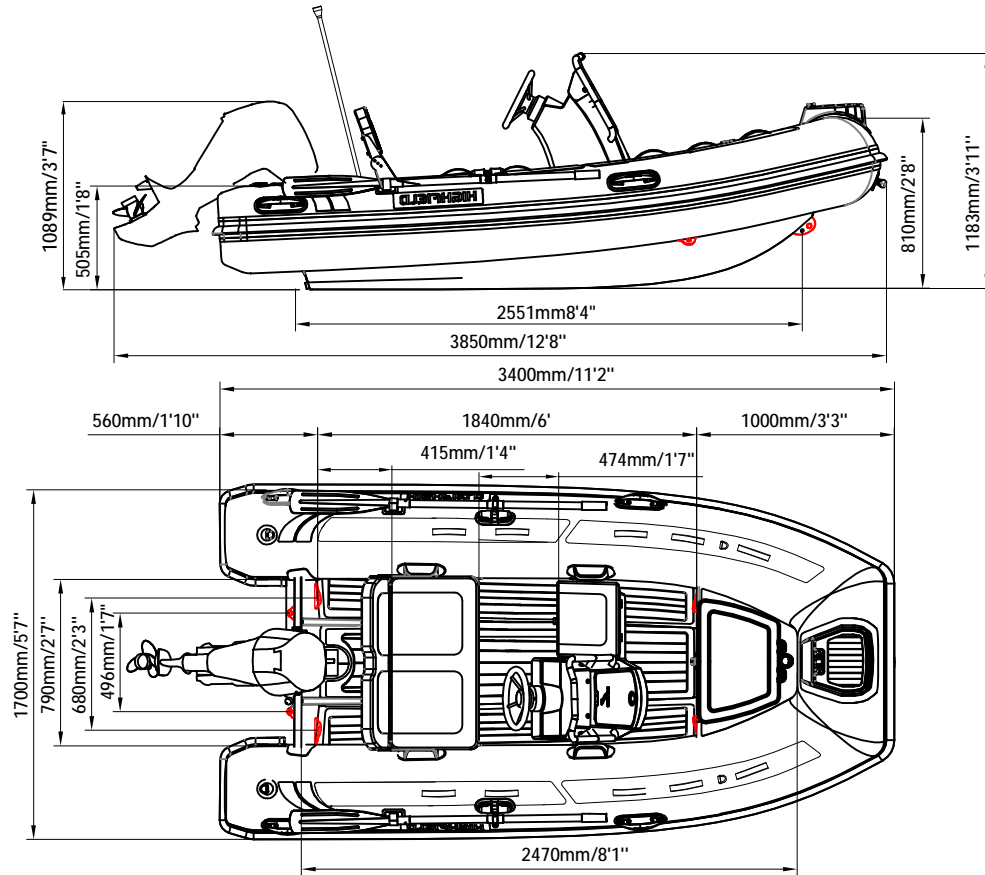
MODEL	ISO 6185 PART	ISO 6185	Passengers		#	Weight		Shaft	Outboard Engine				GT CONSOLE		RS7		/		Fuel tank Capacity		Wet Weight (Approximate) 25HP (18.65KW)		AIR CHAMBERS	Pressure			
			KG	LB		KG	LB		KG	LB	KG	LB	KG	LB	KG	LB	L	GAL	KG	LB	PSI	BAR					
			Max power	Max weight		KW	HP		KG	LB	KG	LB	KG	LB	KG	LB	KG	LB	L	GAL	KG	LB		PSI	BAR		
CL340	3	C	480	1056	6	450	992	S	18.65	25	66	145	71	157	25.5	56	20	45	/	/	/	/	137	302	3	3.63	0.25

Weight: boat only.

# CLASSIC 340

(Short Shaft)

# SPECIFICATIONS



SPECIFICATIONS AND MAXIMUM CAPACITIES (Subject to change without notice. Tolerances: dimensions  $\pm 2.5\%$ , weights  $\pm 5\%$ )

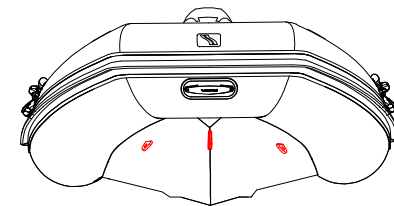
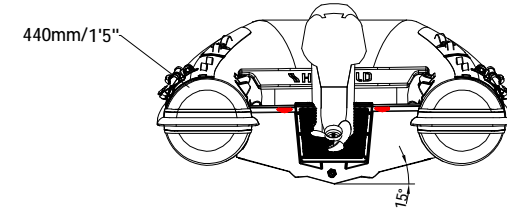
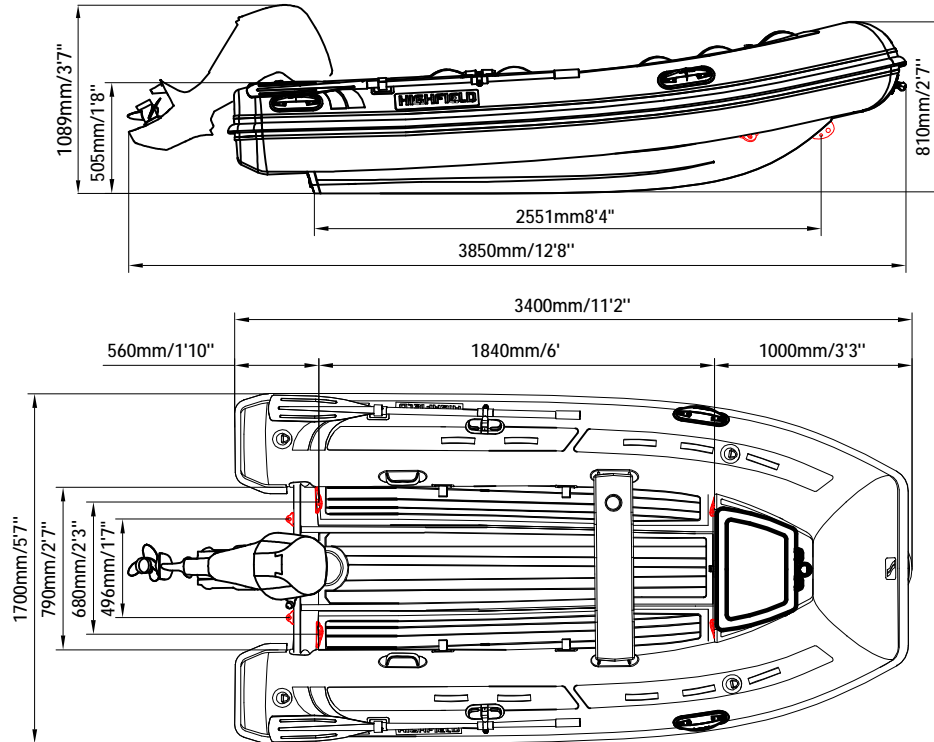
MODEL	ISO 6185 PART	ISO 6185	Passengers		#	Weight		Shaft	Outboard Engine				GT CONSOLE				RS7		/		Fuel tank Capacity		Wet Weight (Approximate) 25HP (18.65KW)		AIR CHAMBERS	Stability	
			KG	LB		KG	LB		KG	LB	KG	LB	KG	LB	KG	LB	KG	LB	L	GAL	KG	LB	PSI	BAR			
			Max power	Max weight		KG	LB		KG	LB	KG	LB	KG	LB	KG	LB	KG	LB	L	GAL	KG	LB	PSI	BAR			
CL340	3	C	480	1056	6	450	992	S	18.65	25	66	145	71	157	25.5	56	20	45	/	/	/	/	137	302	3	3.63	0.25

Weight: boat only.

# CLASSIC 340

(Short Shaft)

# SPECIFICATIONS



SPECIFICATIONS AND MAXIMUM CAPACITIES (Subject to change without notice. Tolerances: dimensions  $\pm 2.5\%$ , weights  $\pm 5\%$ )

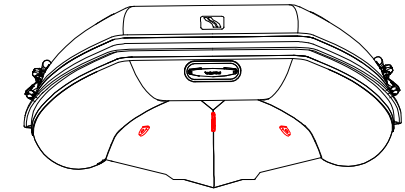
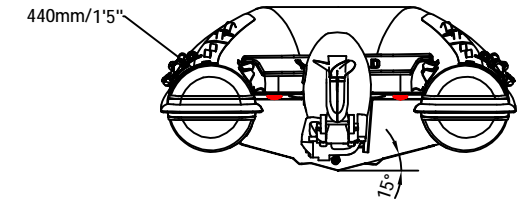
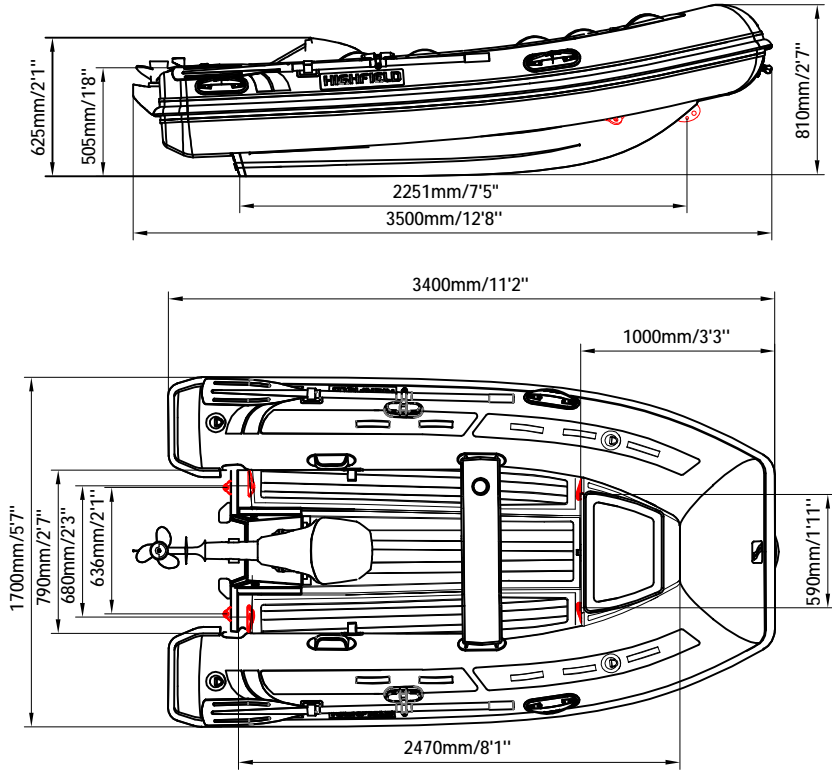
MODEL	ISO 6185 PART	ISO 6185	Person		#	Person		Shaft	Outboard Engine				/				Fuel tank Capacity		Wet Weight (Approximate) 25HP (18.65KW)		AIR CHAMBERS	Pressure							
			KG	LB		KG	LB		Max power	Max weight	KG	LB	KG	LB	KG	LB	L	GAL	KG	LB		PSI	BAR						
									KW	HP	KG	LB																	
CL340	3	C	480	1056	6	450	992	S	18.65	25	66	145	71	157	/	/	/	/	/	/	/	/	/	/	137	302	3	3.63	0.25

Weight: boat only.

# CLASSIC 340 FT

(Folding Transom)

# SPECIFICATIONS



SPECIFICATIONS AND MAXIMUM CAPACITIES (Subject to change without notice. Tolerances: dimensions  $\pm 2.5\%$ , weights  $\pm 5\%$ )

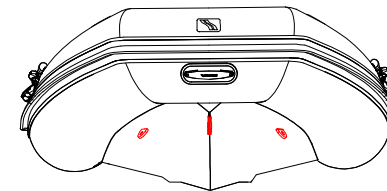
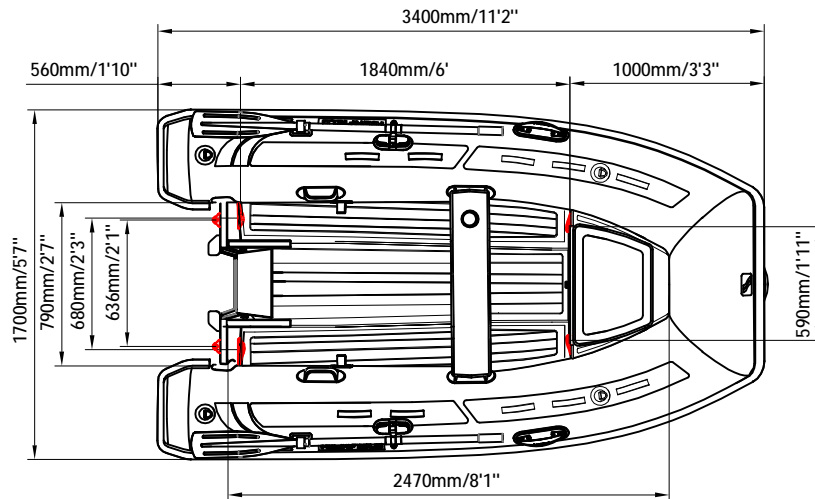
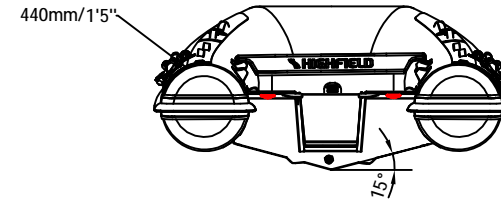
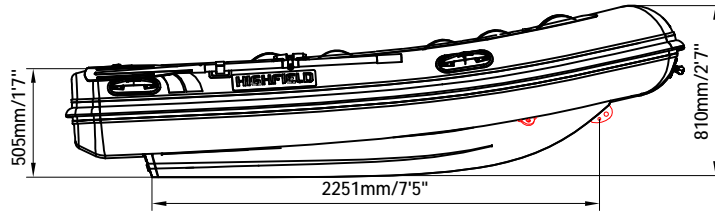
MODEL	ISO 6185 PART	ISO 6185			#			 Outboard Engine			/	/	/	Fuel tank Capacity		Wet Weight (Approximate) 25HP (18.65KW)		 AIR CHAMBERS							
			KG	LB		KG	LB		KG	LB				L	GAL	KG	LB		PSI	BAR					
			Shaft			Max power			Max weight					KG	LB	KG	LB		KG	LB	KG	LB	L	GAL	KG
CL340FT	3	C	480	1056	6	450	992	S	18.65	25	66	145	71	157	/	/	/	/	/	/	137	302	3	3.63	0.25

Weight: boat only.

# CLASSIC 340 FT

(Folding Transom)

# SPECIFICATIONS



SPECIFICATIONS AND MAXIMUM CAPACITIES (Subject to change without notice. Tolerances: dimensions  $\pm 2.5\%$ , weights  $\pm 5\%$ )

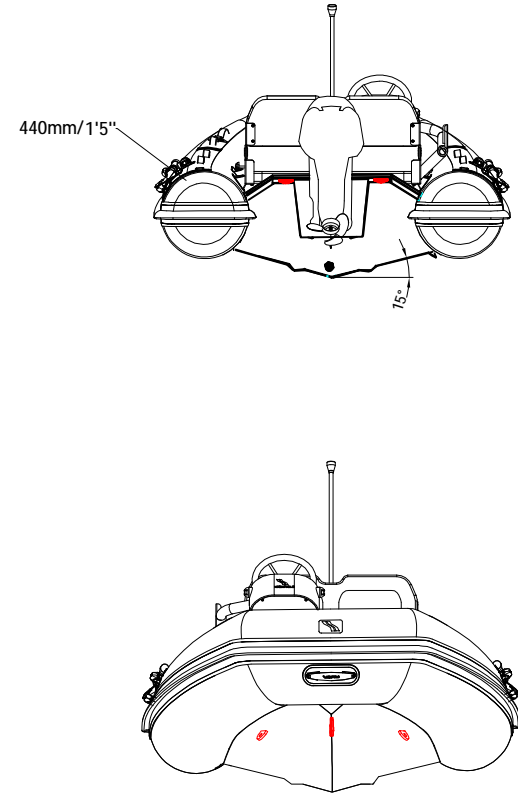
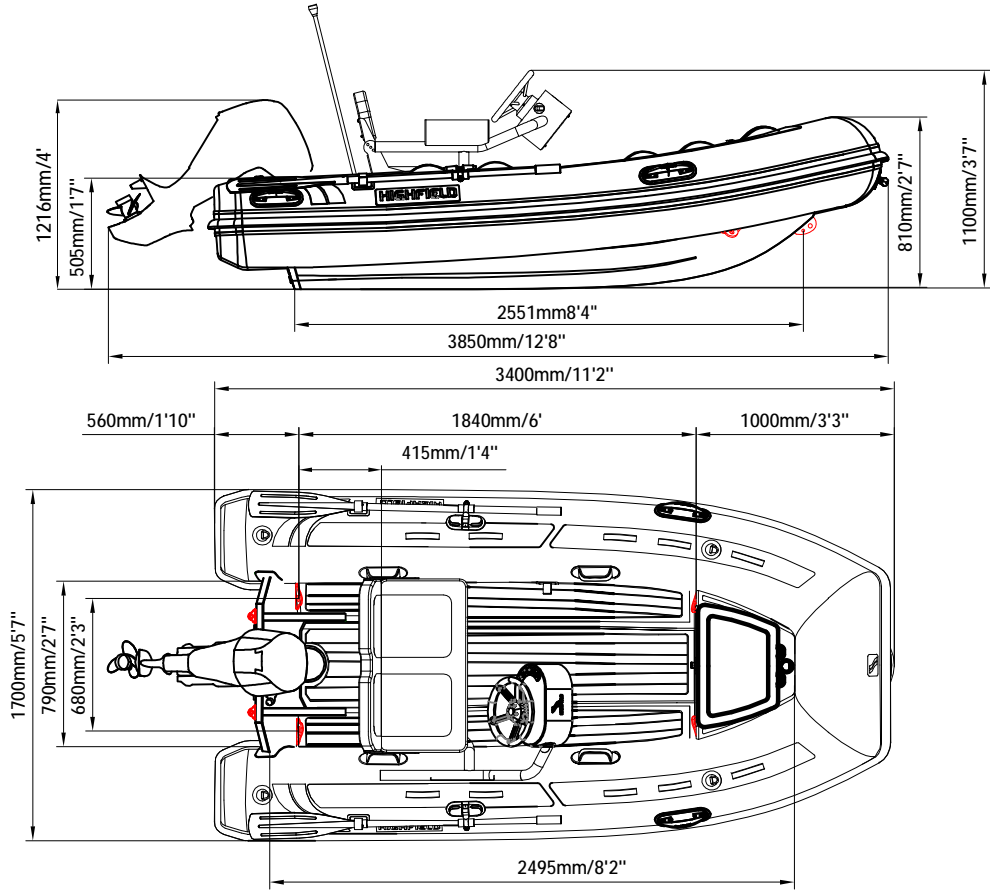
MODEL	ISO 6185 PART	ISO 6185	Passengers		#	Weight		Shaft	Outboard Engine				Fuel tank Capacity				Wet Weight (Approximate) 25HP (18.65KW)		AIR CHAMBERS	Stability										
			KG	LB		KG	LB		Max power	Max weight	KG	LB	KG	LB	KG	LB	L	GAL		KG	LB	PSI	BAR							
									KW	HP	KG	LB																		
CL340FT	3	C	480	1056	6	450	992	S	18.65	25	66	145	71	157	/	/	/	/	/	/	/	/	/	/	/	137	302	3	3.63	0.25

Weight: boat only.

# CLASSIC 340 LS

(Short Shaft)

# SPECIFICATIONS



SPECIFICATIONS AND MAXIMUM CAPACITIES (Subject to change without notice. Tolerances: Dimensions ±2.5% Weight ±5%) Note: red means lifting eyes.

MODEL	ISO 6185 PART	ISO 6185	Passengers		#	Weight		Shaft	Outboard Engine				FCT		Fuel tank Capacity				Wet Weight (Approximate) 30HP (22.38KW)		AIR CHAMBERS	Pressure									
			KG	LB		KG	LB		KG	LB	KG	LB	KG	LB	L	GAL	KG	LB	PSI	BAR											
			Max power	Max weight		KG	LB		KG	LB	KG	LB	KG	LB	KG	LB	KG	LB	KG	LB		KG	LB								
CL340	3	C	480	1056	6	450	992	L	18.65	25	66	145	71	157	36	79	/	/	/	/	/	/	/	/	/	/	137	302	3	3.63	0.25

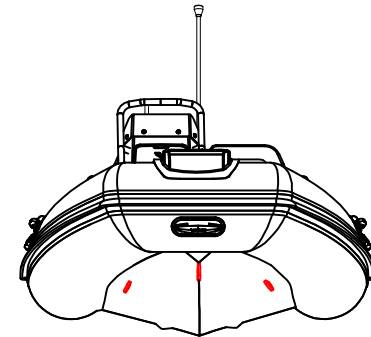
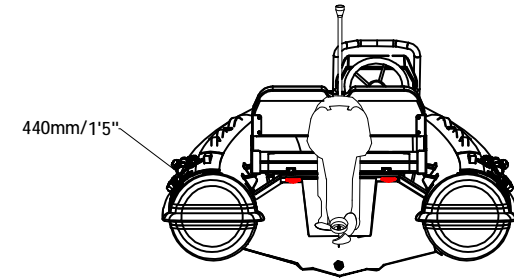
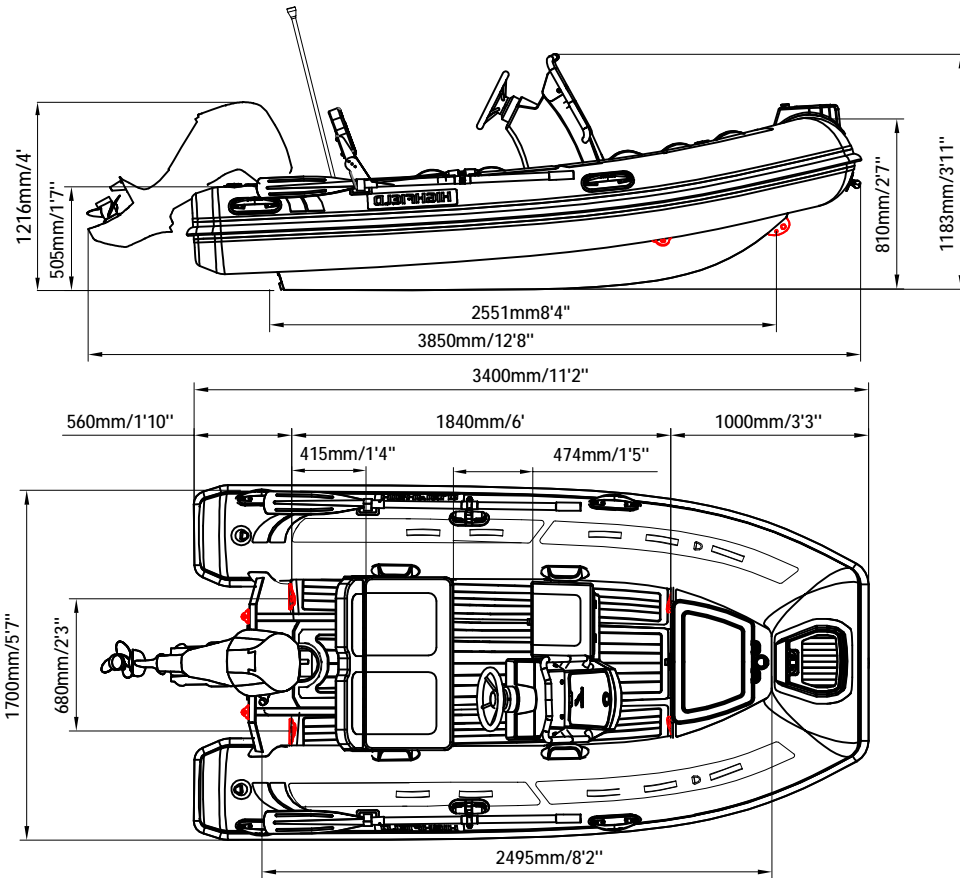
Weight: boat only.

2025V2

# CLASSIC 340 LS

(Long Shaft)

# SPECIFICATIONS



SPECIFICATIONS AND MAXIMUM CAPACITIES (Subject to change without notice. Tolerances: dimensions ±2.5%, weights ±5%)

MODEL	ISO 6185 PART	ISO 6185	Passengers		#	Weight		Shaft	Outboard Engine				GT CONSOLE				RS7		/		Fuel tank Capacity		Wet Weight (Approximate) 25HP (18.65KW)		AIR CHAMBERS	Stability	
			KG	LB		KG	LB		KG	LB	KG	LB	KG	LB	KG	LB	KG	LB	L	GAL	KG	LB	PSI	BAR			
			Max power	Max weight		KG	LB		KG	LB	KG	LB	KG	LB	KG	LB	KG	LB	L	GAL	KG	LB	PSI	BAR			
CL340LS	3	C	480	1056	6	450	992	L	18.65	25	66	145	71	157	25.5	56	20	45	/	/	/	/	137	302	3	3.63	0.25

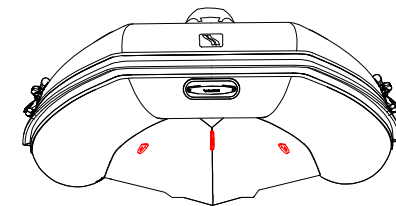
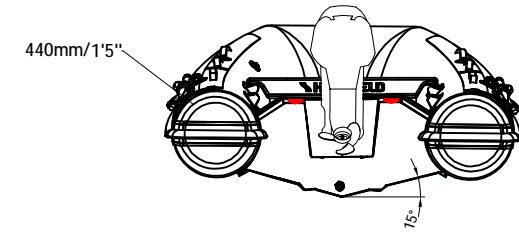
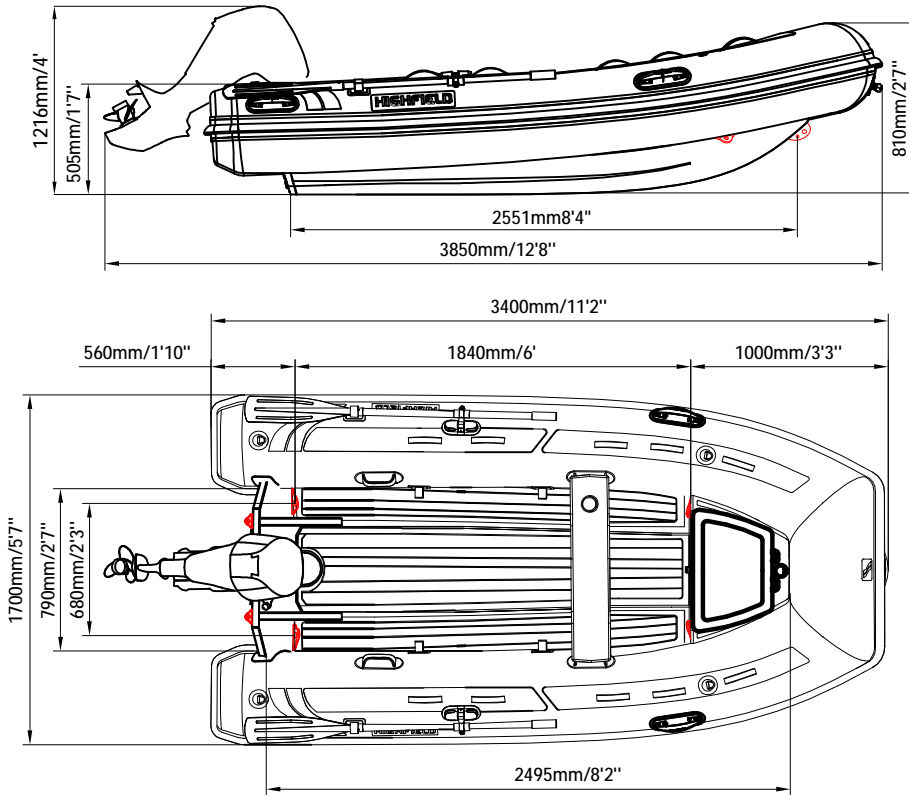
Weight: boat only.



# CLASSIC 340 LS

(Long Shaft)

# SPECIFICATIONS



SPECIFICATIONS AND MAXIMUM CAPACITIES (Subject to change without notice. Tolerances: dimensions ±2.5%, weights ±5%)

MODEL	ISO 6185 PART	ISO 6185	Passenger		#	Crew		Shaft	Outboard Engine				/				Fuel tank Capacity		Wet Weight (Approximate) 25HP (18.65KW)		AIR CHAMBERS	↔ ● ↔									
			KG	LB		KG	LB		Max power	Max weight		KG	LB	KG	LB	KG	LB	L	GAL	KG		LB	PSI	BAR							
									KW	HP	KG	LB																			
CL340LS	3	C	480	1056	6	450	992	L	18.65	25	66	145	71	157	/	/	/	/	/	/	/	/	/	/	/	/	137	302	3	3.63	0.25

Weight: boat only.