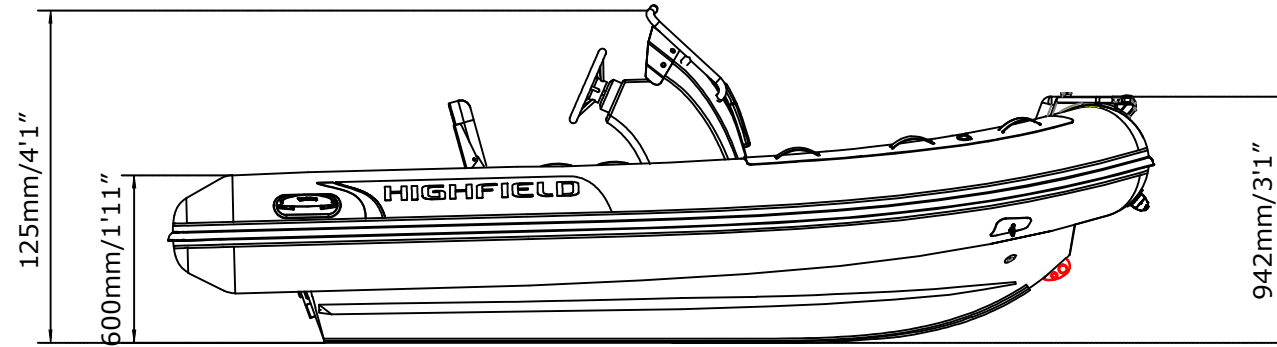
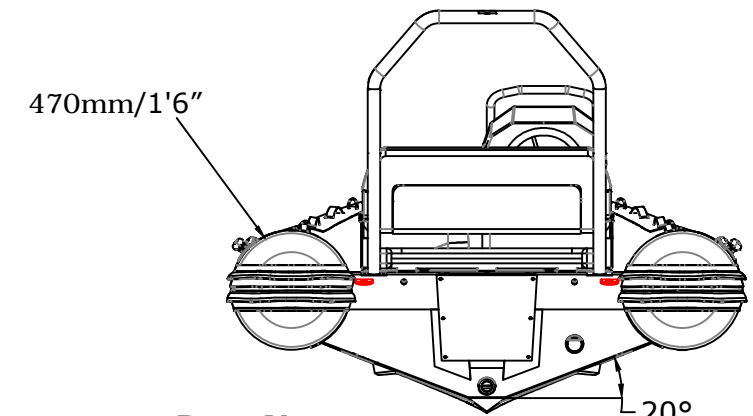


OCEAN MASTER 390

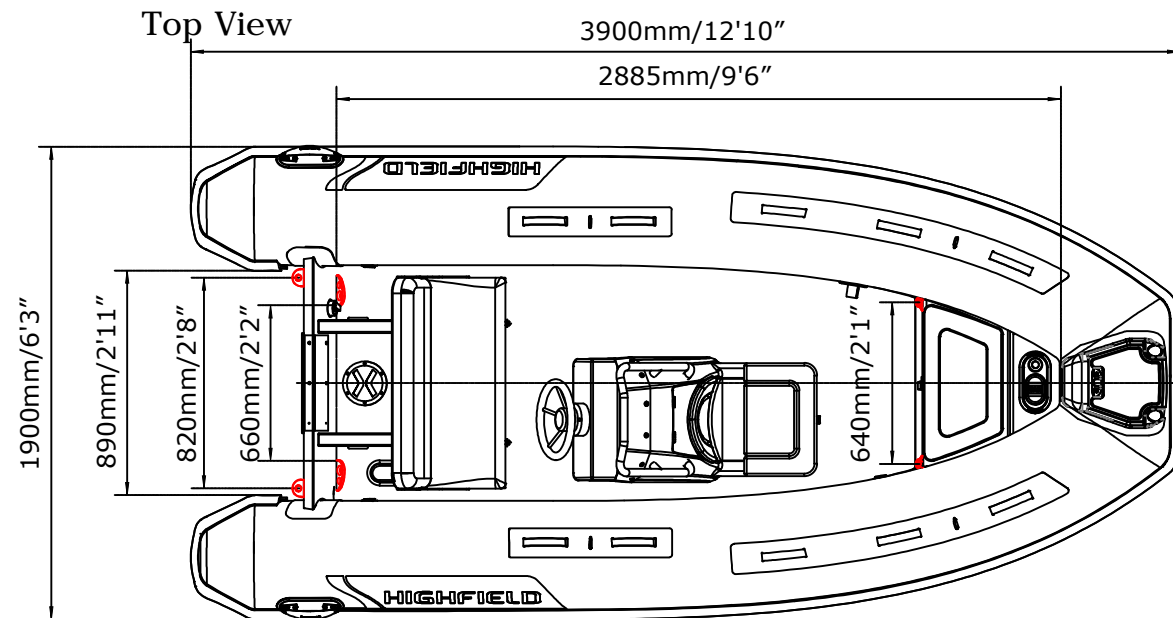
SPECIFICATIONS



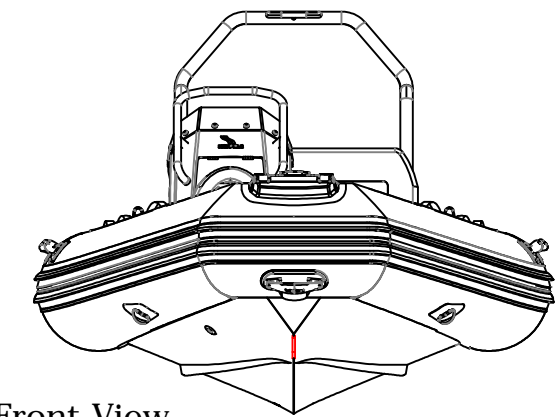
Side View



Rear View



Top View



Front View

MODEL	ISO 6185 PART	ISO 6185			#													Wet Weight (Approximate) 50HP (37KW) + Fuel		AIR CHAMBERS				
			KG	LB		Length	KG	LB	Maximum Speed				KG	LB	KG	LB	PSI	BAR						
									Maximum	Recommended	Maximum Speed	KT							MPH		Km/h			
OM390	3	C	741	1634	7	525	1157	L	161.7	356	37.30	50	29.84	40	/	/	/	187	412	370.7	817.3	3	3.63	0.25

Weight includes: console ,seat ,rollbar