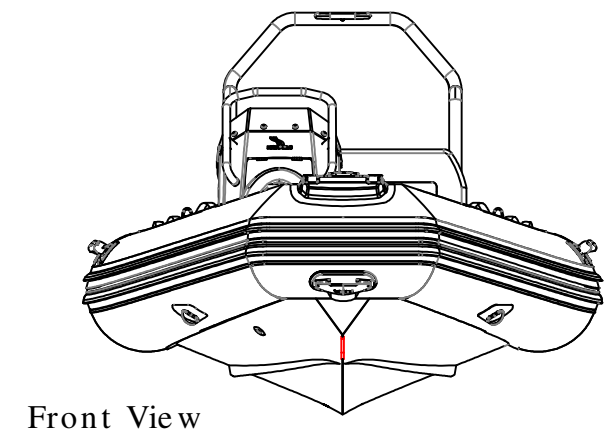
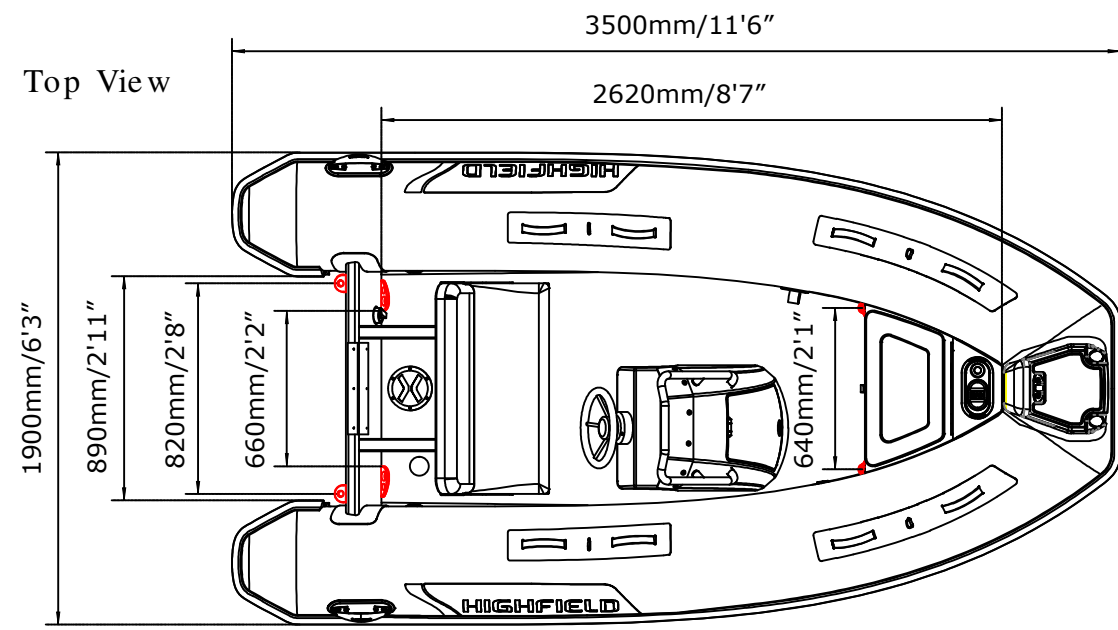
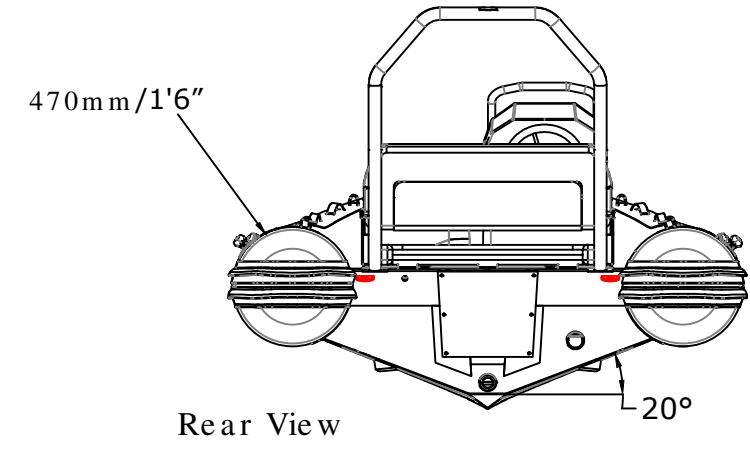
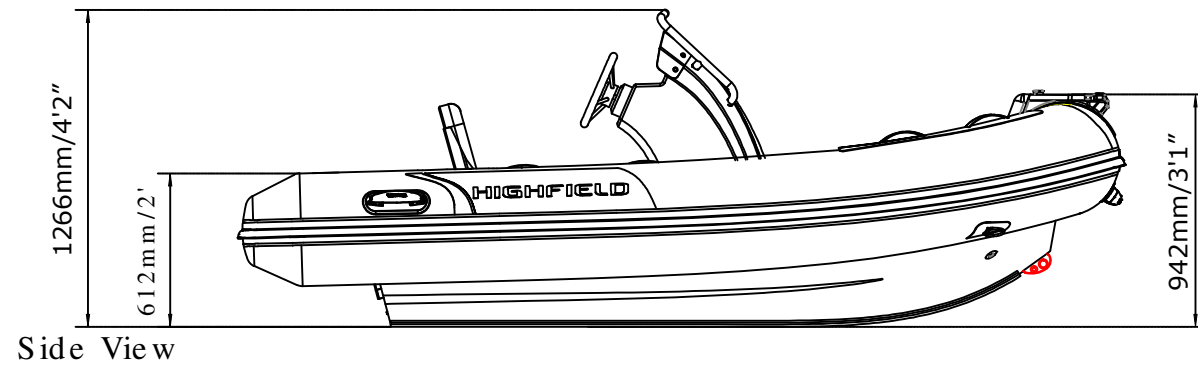


OCEAN MASTER 350

SPECIFICATIONS



MODEL	ISO 6185 PART	ISO 6185														Wet Weight (Approximate) 40HP (30KW) + Fuel		AIR CHAMBERS						
			KG	LB	#	KG	LB	Length	KG	LB	Maximum		Recommended			Maximum Speed	KT		MPH	Km/h	KG	LB	PSI	BAR
			KG	LB	KW	HP	KW				HP	KT	MPH	Km/h	KG									
OM350	3	C	628	1385	6	450	992	L	124.1	274	29.84	40	22.38	30	/	/	/	162	357	308.1	679.2	3	3.63	0.25

Weight includes: console ,seat ,rollbar