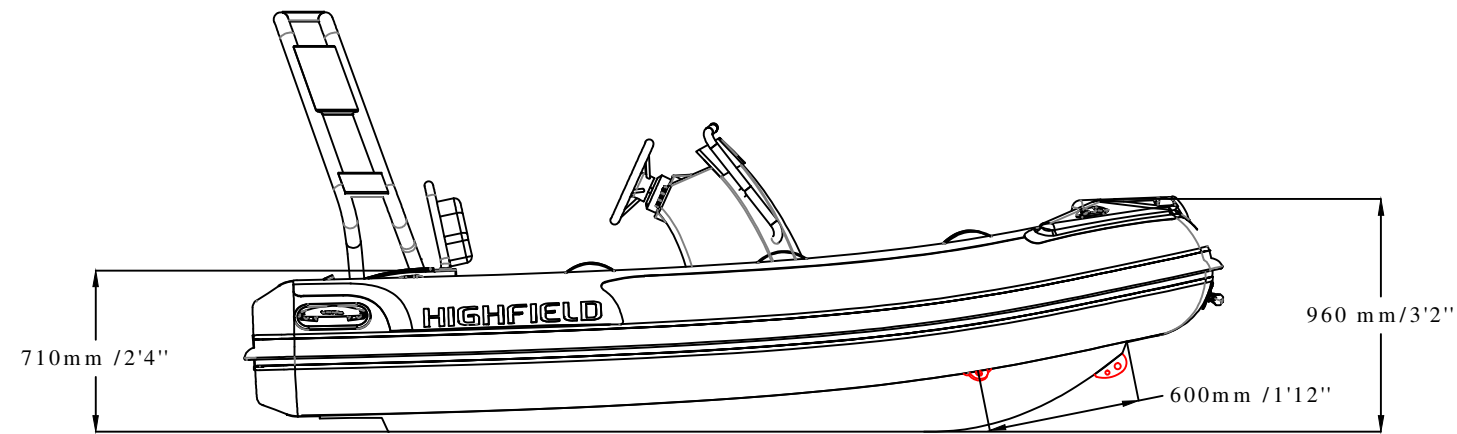
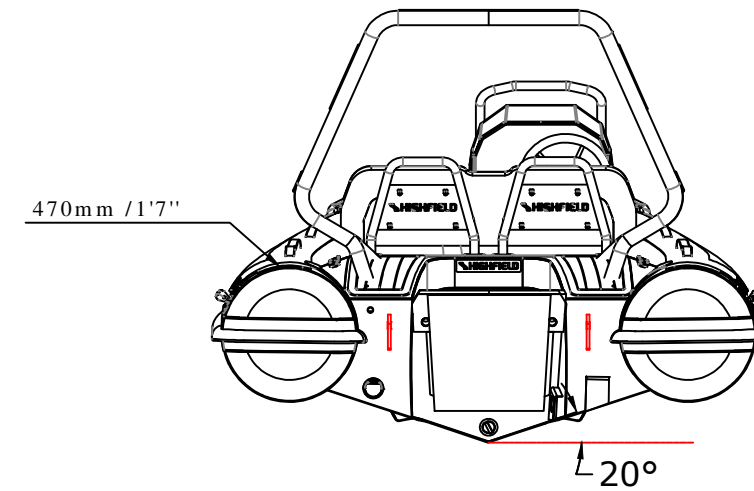


DELUXE 390

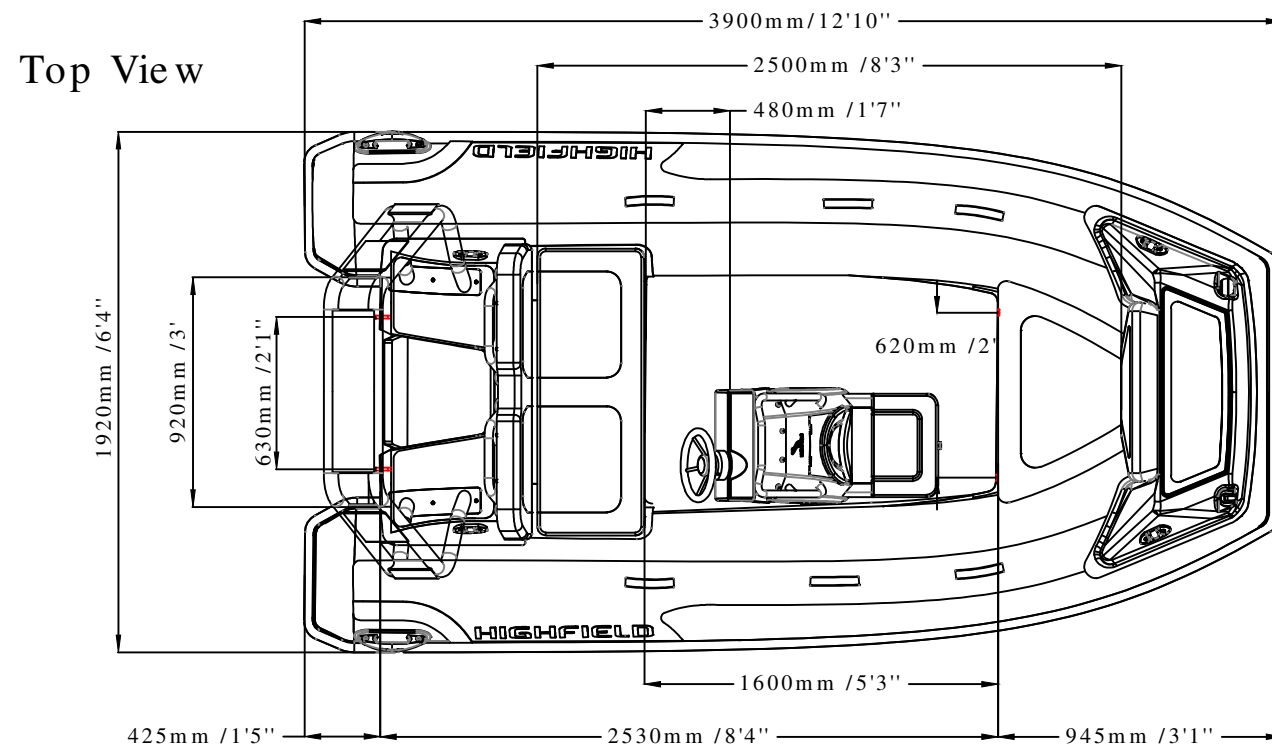
SPECIFICATIONS



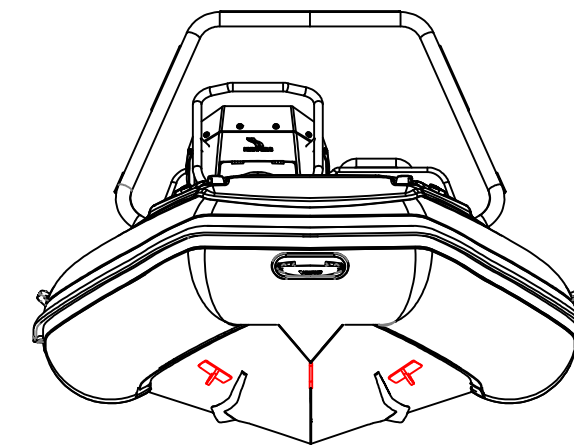
Side View



Rear View



Top View



Front View

SPECIFICATIONS AND MAXIMUM CAPACITIES (Subject to change without notice. Tolerances: Dimensions +/-3% Weight +/-5%)

MODEL	ISO 6185 PART	ISO 6185	Passengers		#	Weight		Length	Maximum Speed				Wet Weight (Approximate) 50HP (37.30KW) + Fuel		AIR CHAMBERS	Pressure								
			KG	LB		KG	LB		Maximum	Recommended	Maximum Speed	KG	LB	PSI		BAR								
									KW	HP	KW	HP	KT	MPH		Km/h								
DL390	3	C	716	1579	7	525	1157	L	161.7	356	37.30	50	/	/	/	/	/	241	531	424.45	936	3	3.63	0.25

Weight includes: console, rollbar