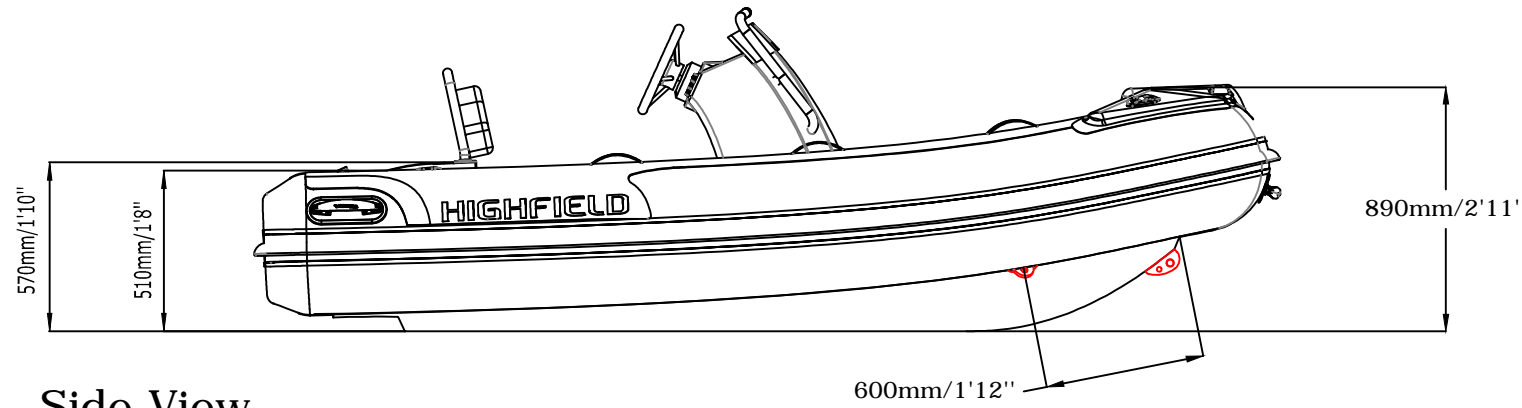
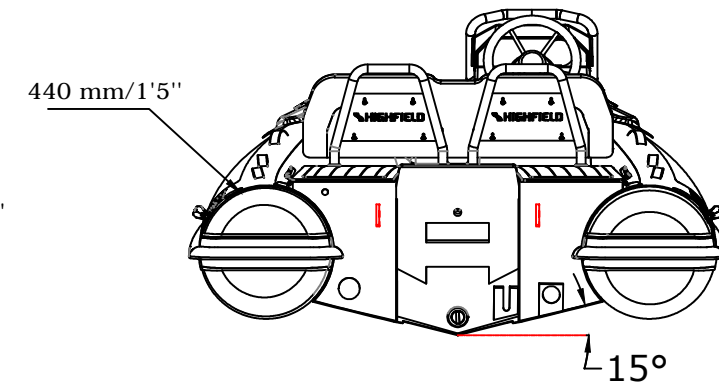


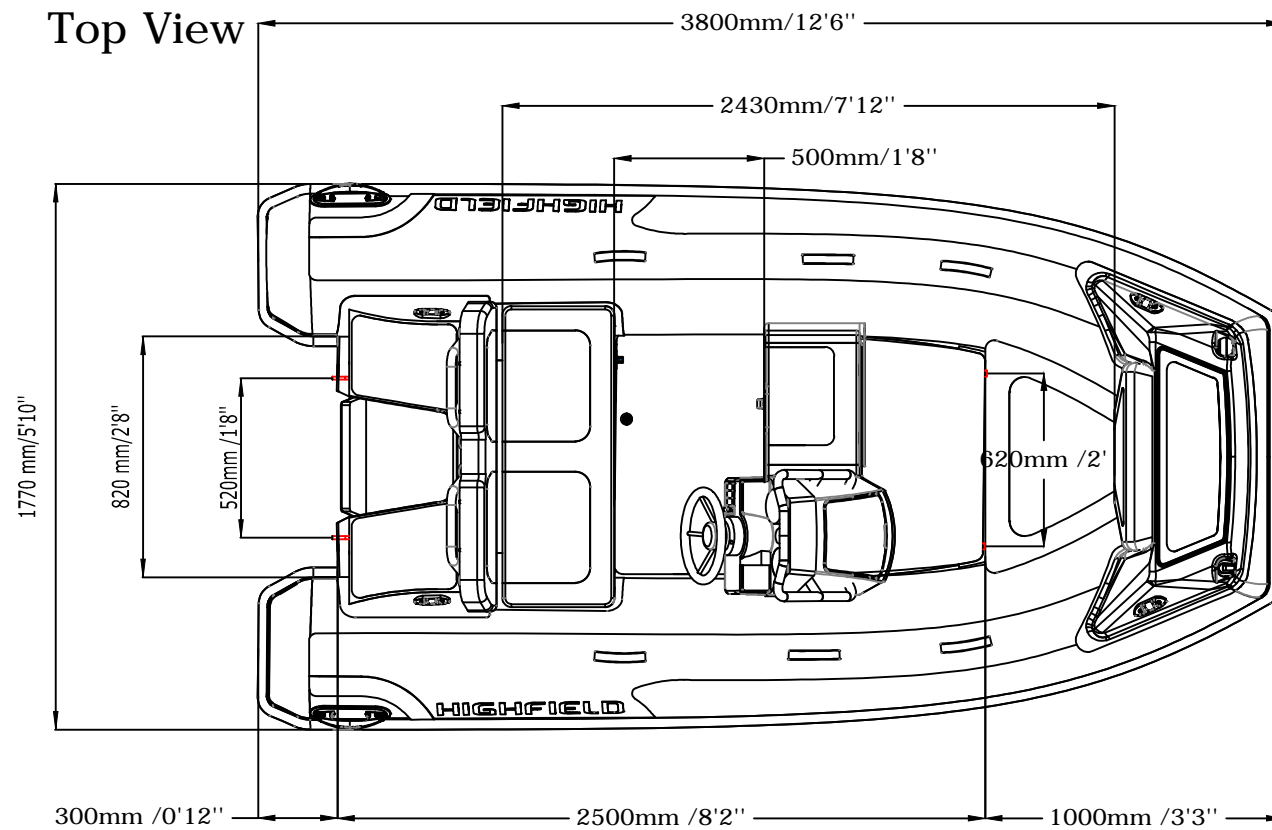
CLASSIC DELUXE 380 SPECIFICATIONS



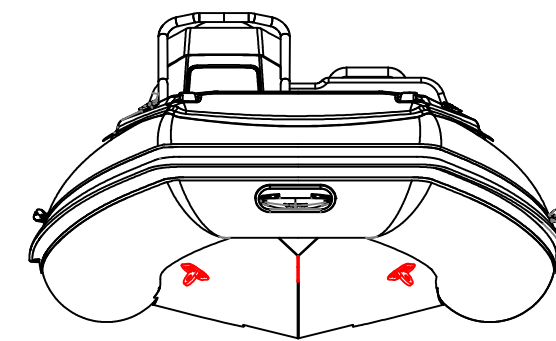
Side View



Rear View



Top View



Front View

SPECIFICATIONS AND MAXIMUM CAPACITIES (Subject to change without notice. Tolerances: Dimensions +/-3% Weight +/-5%)

| MODEL | ISO 6185 PART | ISO 6185 | Passengers | | | Weight | | | Maximum Speed | | | | | | Wet Weight (Approximate) 300HP (224KW) +Fuel | | AIR CHAMBERS | Pressure | | | | | | |
|---------|---------------|----------|------------|------|----|--------|------|---------|---------------|-------------|-------|---------------|----|----|--|----|--------------|----------|-----|--------|-----|---|------|------|
| | | | KG | LB | # | KG | LB | Maximum | | Recommended | | Maximum Speed | | KG | LB | KG | | LB | PSI | BAR | | | | |
| | | | Length | KG | LB | KW | HP | KW | HP | KT | MPH | Km/h | KG | LB | KG | LB | | PSI | BAR | | | | | |
| CL380DL | 3 | C | 692 | 1526 | 7 | 525 | 1157 | L | 124.1 | 274 | 29.84 | 40 | / | / | / | / | / | 181 | 398 | 326.85 | 721 | 3 | 3.63 | 0.25 |

Weight includes: console