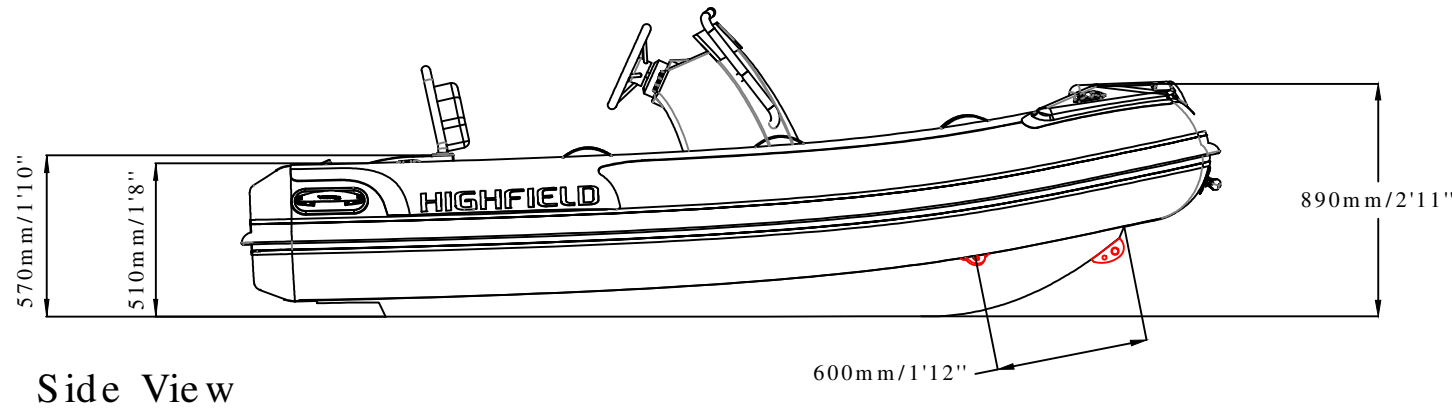
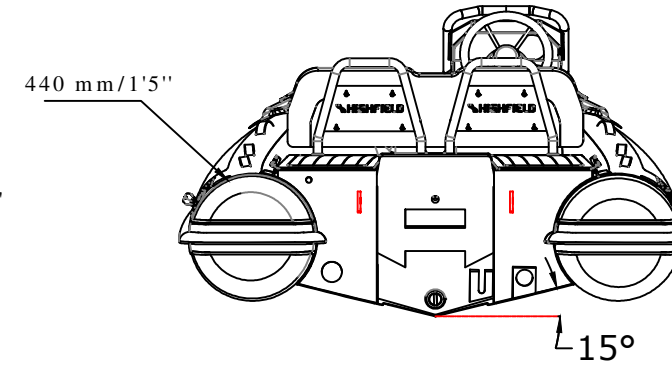


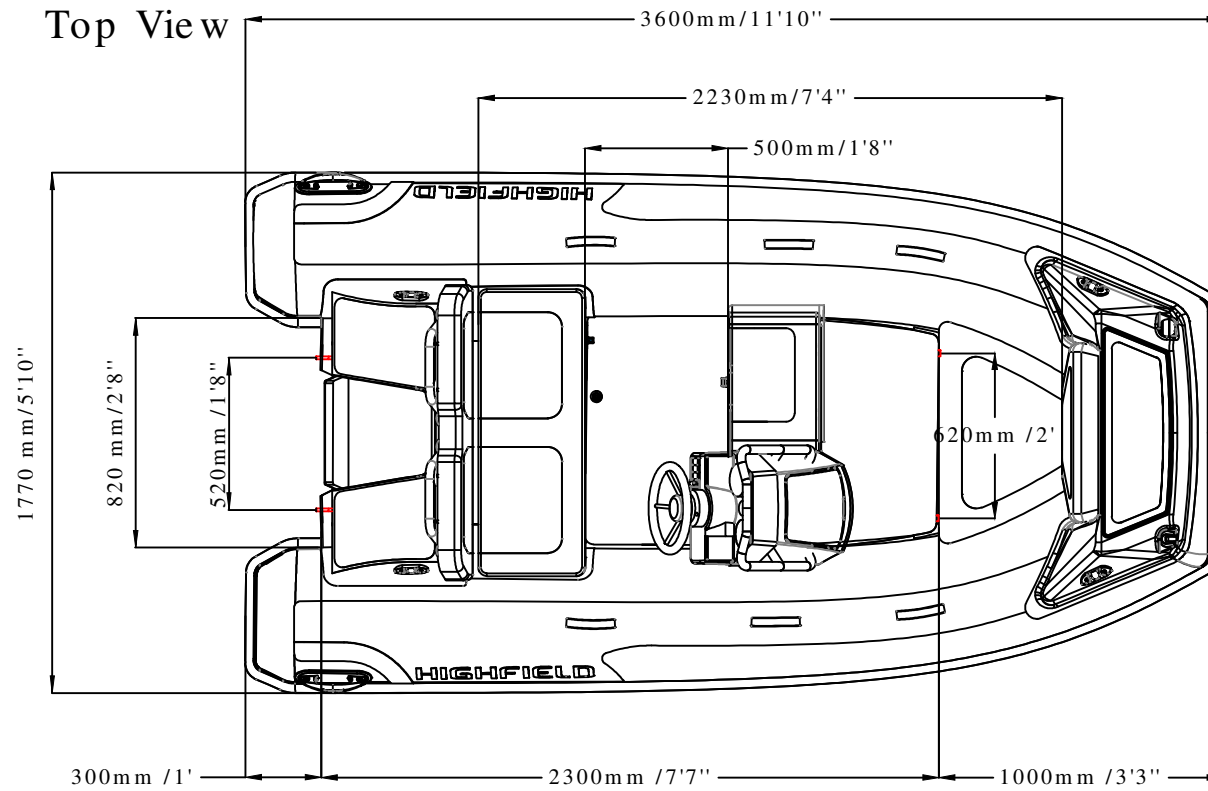
# CLASSIC DELUXE 360 SPECIFICATIONS



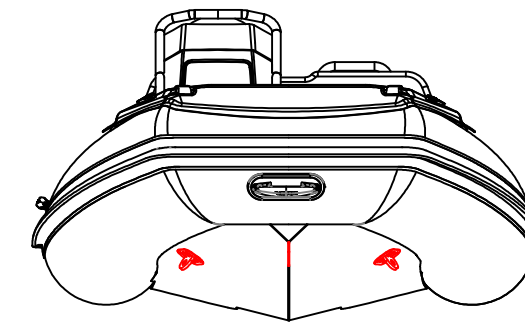
Side View



Rear View



Top View



Front View

SPECIFICATIONS AND MAXIMUM CAPACITIES (Subject to change without notice. Tolerances: Dimensions +/-3% Weight +/-5%)

MODEL	ISO 6185 PART	ISO 6185			#			Length							Wet Weight (Approximate) 40HP (29.84KW) + Fuel		AIR CHAMBERS							
			KG	LB		KG	LB		Maximum Speed		KG	LB	KG	LB	PSI	BAR								
									Maximum	Recommended	Maximum Speed													
								KG	LB	KW	HP	KW	HP	KT	MPH	Km/h								
CL360DL	3	C	614	1354	6	450	992	L	124.1	274	29.84	40	/	/	/	/	/	178	392	323.76	714	3	3.63	0.25

Weight includes: console