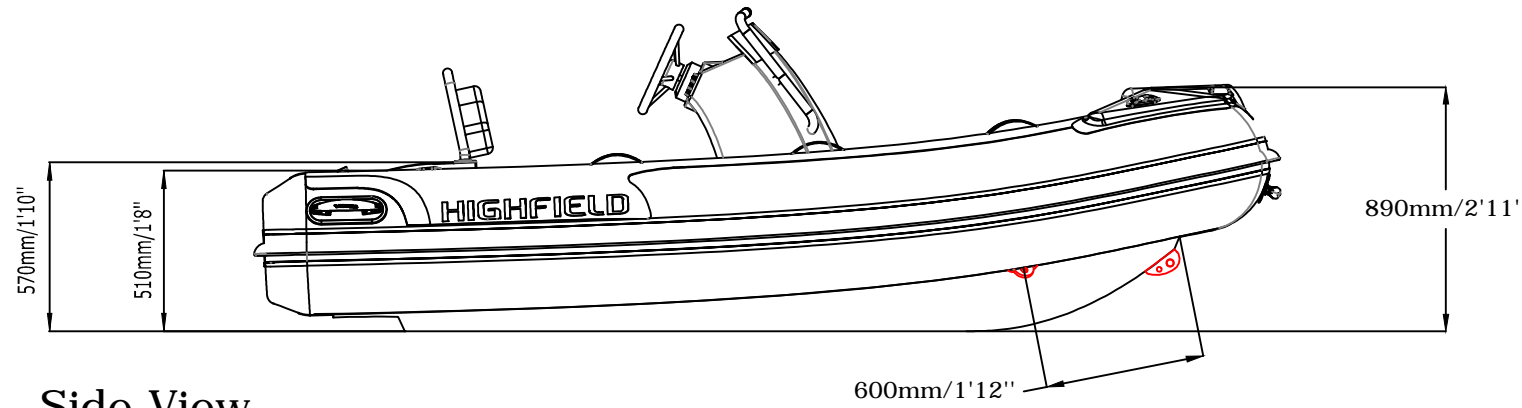
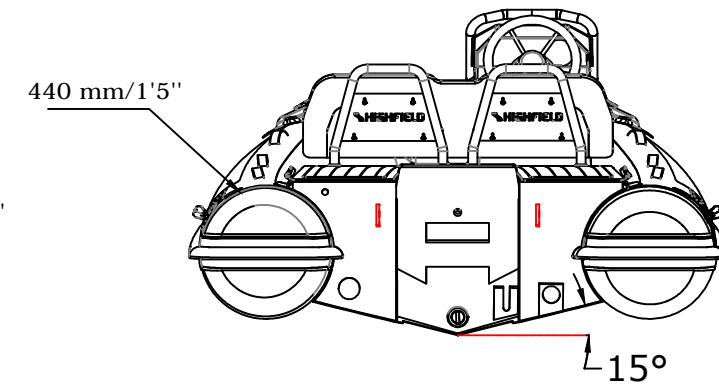


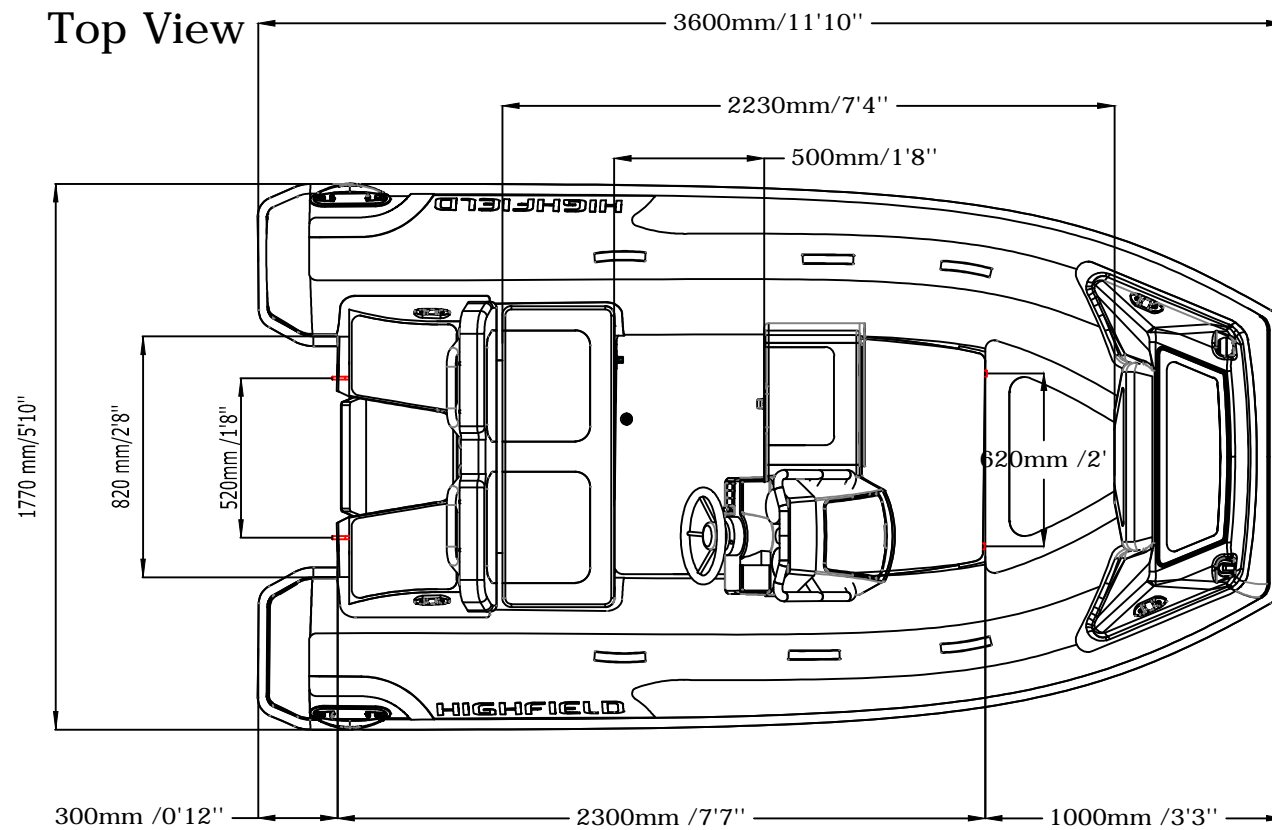
# CLASSIC DELUXE 360 SPECIFICATIONS



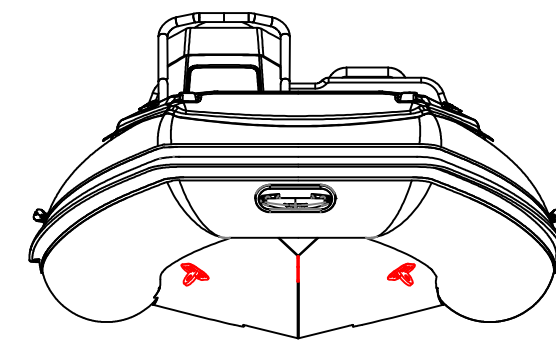
Side View



Rear View



Top View



Front View

SPECIFICATIONS AND MAXIMUM CAPACITIES (Subject to change without notice. Tolerances: Dimensions +/-3% Weight +/-5%)

MODEL	ISO 6185 PART	ISO 6185			#			Length										Wet Weight (Approximate) 300HP (224KW) +Fuel	AIR CHAMBERS					
			KG	LB		KG	LB		Maximum	Recommended	Maximum Speed		KG	LB	KG	LB	PSI			BAR				
									KW	HP	KW	HP	KT	MPH	Km/h									
CL360DL	3	C	614	1354	6	450	992	L	124.1	274	29.84	40	/	/	/	/	/	178	391	323.76	714	3	3.63	0.25

Weight includes: console