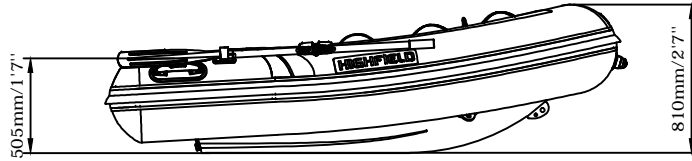
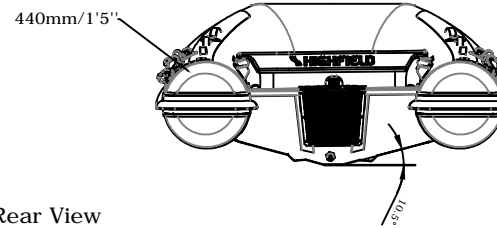


CLASSIC 260

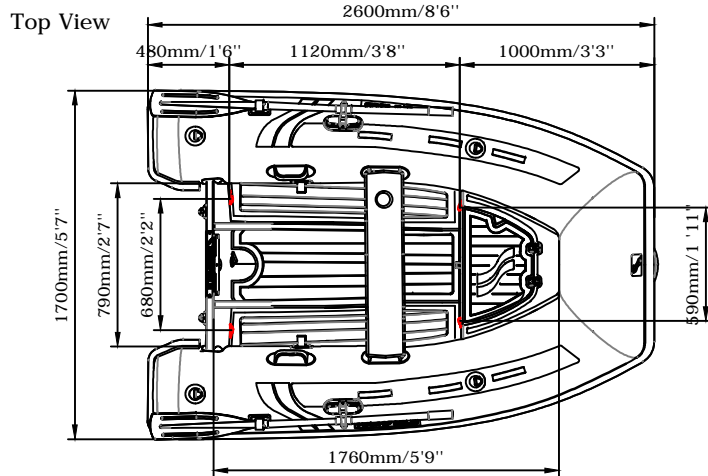
SPECIFICATIONS



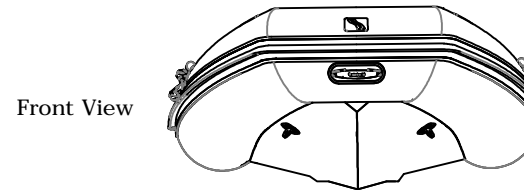
Side View



Rear View



Top View



Front View

SPECIFICATIONS AND MAXIMUM CAPACITIES (Subject to change without notice. Tolerances: Dimensions +/-3% Weight +/-5%)

MODEL	ISO 6185 PART	ISO 6185																			Wet Weight (Approximate) 300HP (224KW) + Fuel	AIR CHAMBERS		
			KG	LB	#	KG	LB	Length	KG	LB	Maximum		Recommended			Maximum Speed	KG	LB	KG	LB			PSI	BAR
											KW	HP	KW	HP	KT									
CL260	2	C	360	794	3+1	225	496	S	60	132	7.46	10	7.46	10	/	/	/	58	128	125.3	276.2	3	3.63	0.25