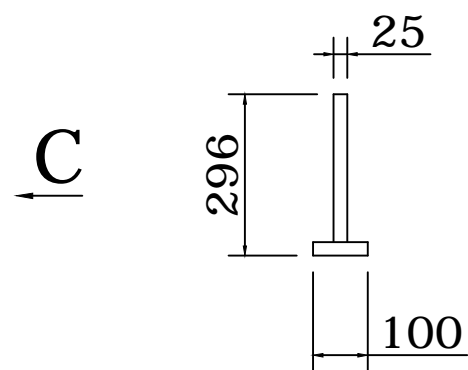
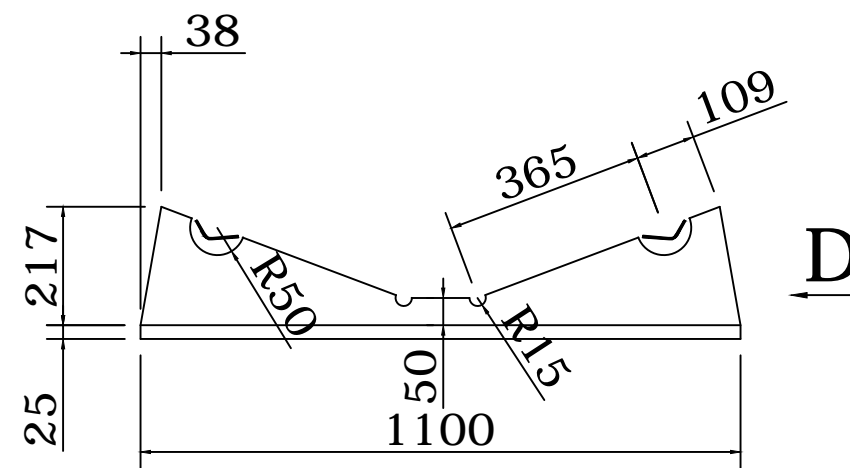


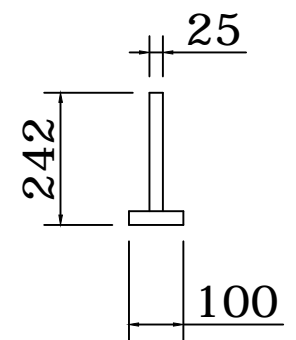
B-B



"C" view



A-A



"D" view

	OM 420 Chock Arrangement		DWN: WL
			APPROVED: LXL
info@highfieldboats.com	DWG:	SCALE:	DATE: 2018.09.07

(C) Copyright reserved. No unauthorized use allowed.  
All intellect - ideas - concepts remain the property of Highfield Boats